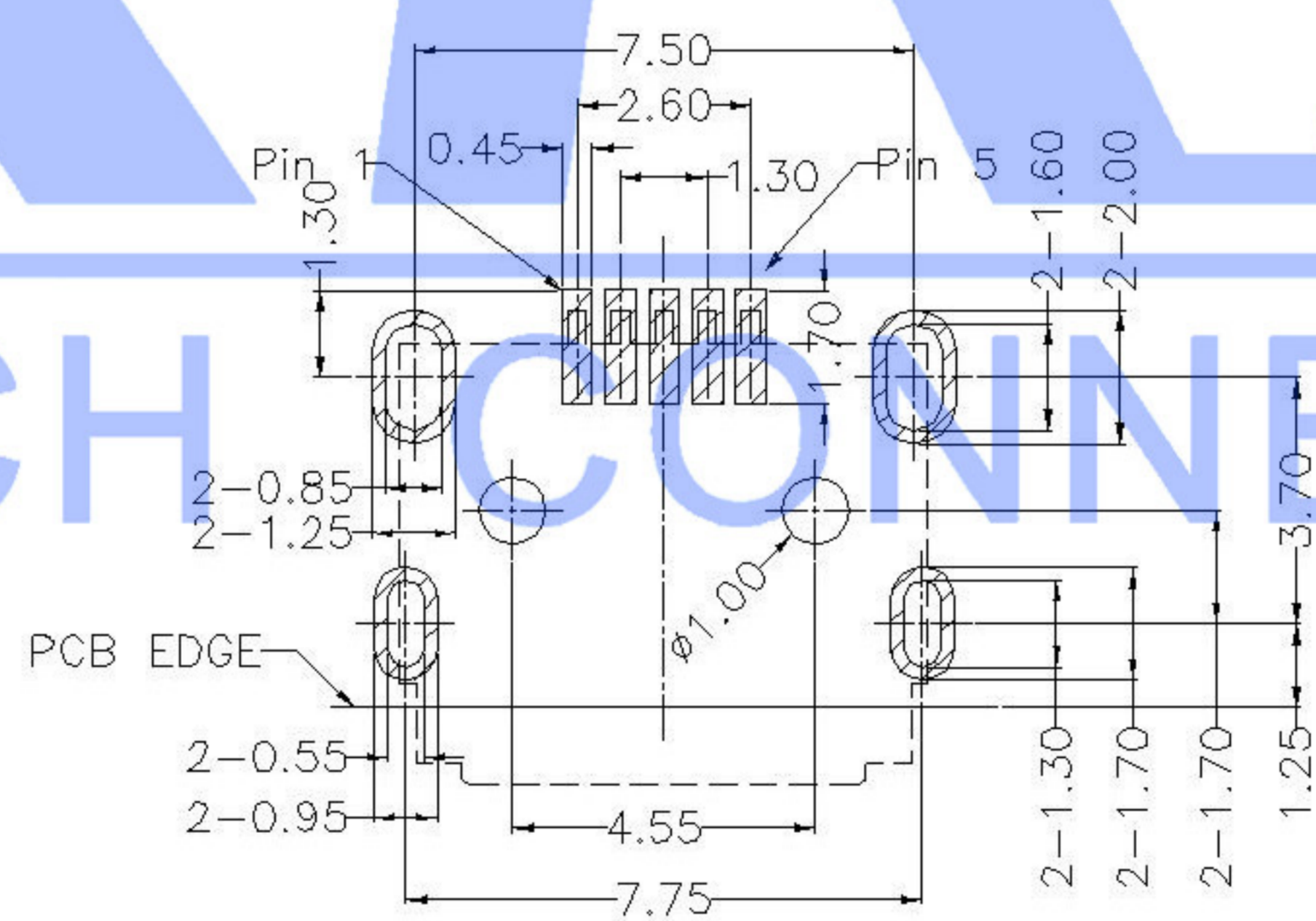
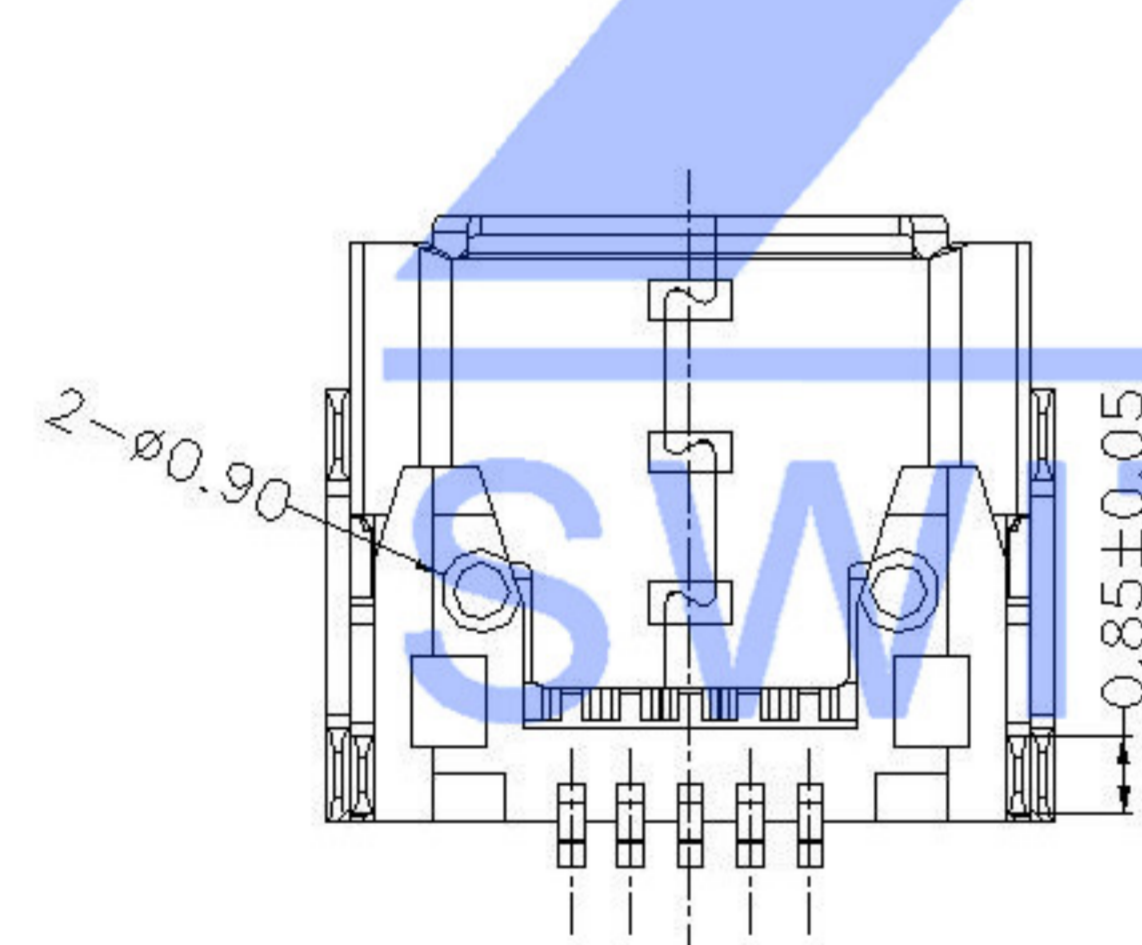
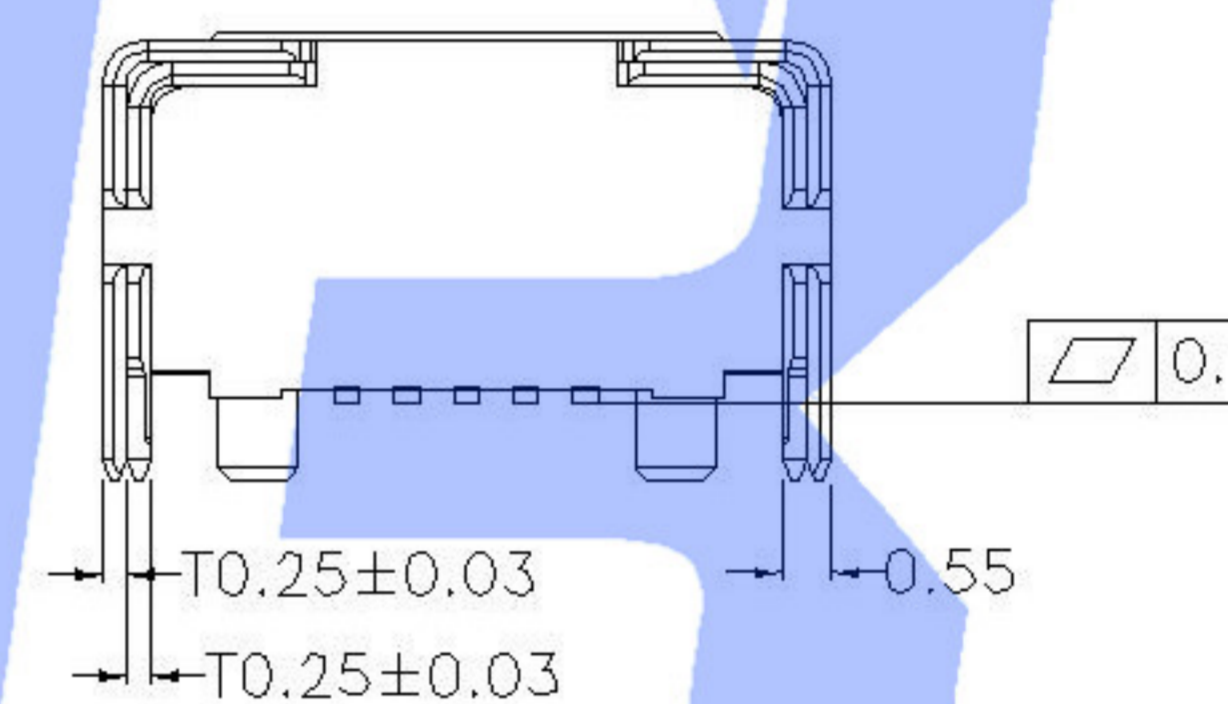
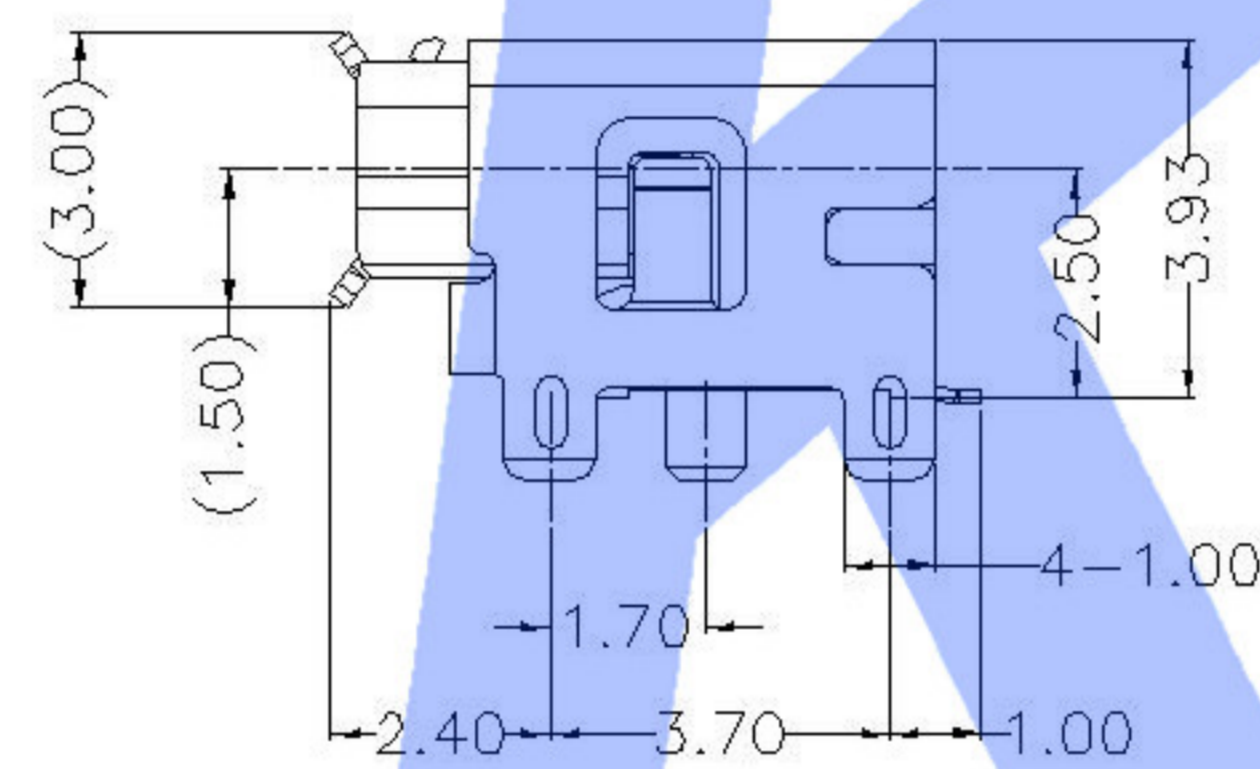
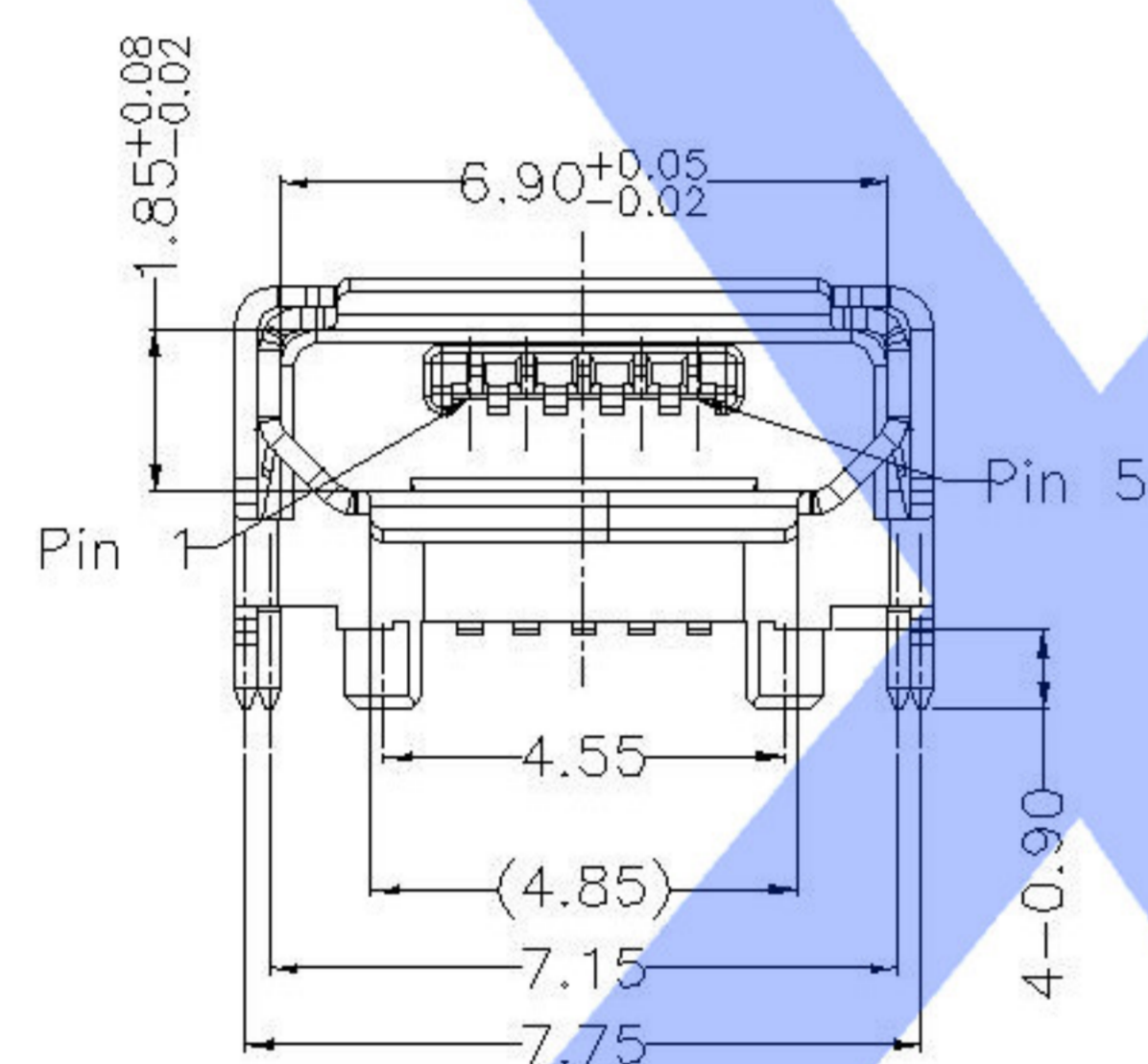


Material
 Housing Material: LCP, UL94V-0, black
 Contact Terminal: Copper Alloy
 Metallic Shell: Sus
Electrical
 Voltage Rating: 30 V AC
 Current Rating: Signal (Pins 2,3,4): 1.0A, Power (Pins 1,5): 1.8A
 Contact Resistance: 30mΩ Max
 Insulation resistance: 1000MΩ Min
 Dielectric withstanding voltage: 250V AC/Minute
Mechanical
 Durability: 10,000 cycles
 Mating Force: 35N (3.57Kgf) Max
 Unmating Force: 8N (0.82Kgf) Min.



RECOMMENDED PCB LAYOUT
TOP VIEW(.XX±0.05)

					DSND		DATE		SCALE: N/A	MODEL TYPE: MICRO USB		
△X					ANGLAR		DATE		VIEW:	PART NO.:		
△X					L ≤ 4	±5°	DATE		UNIT: mm	DWG NO.:		
△X					4 < L ≤ 16	±0.2	DATE		SIZE: A4	U-D-M7DS-G-1		
MARK	DESCRIPTION	DATE	REVISED	APPROVED	16 < L ≤ 63	±0.3	DATE					
REVISIONS					UNSPECIFIED TOLERANCES							
www.xk-dg.cn www.helloxkb.com www.helloxkb.cn					XKB INDUSTRIAL PRECISION CO.,LIMITED					WEIGHT	SHEET	REVISION
										1.0g	1/1	A0