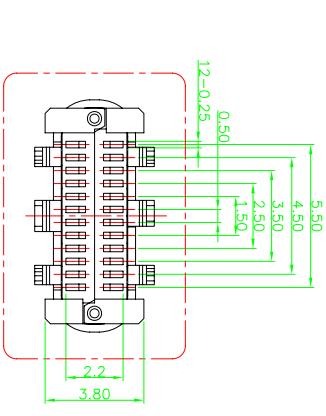
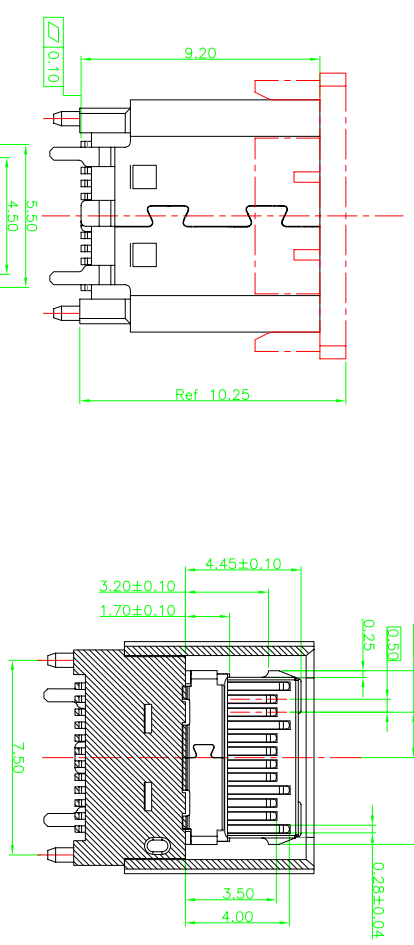
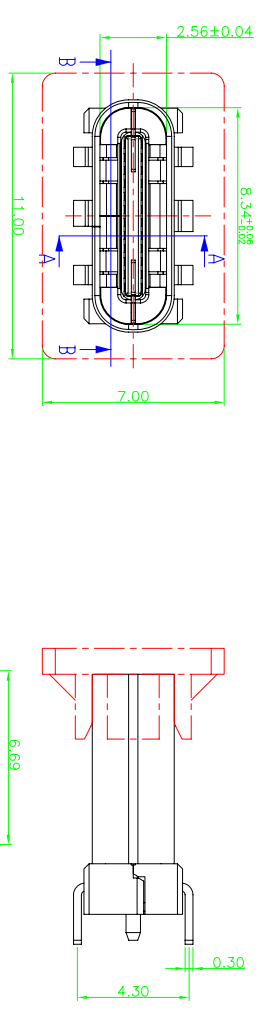
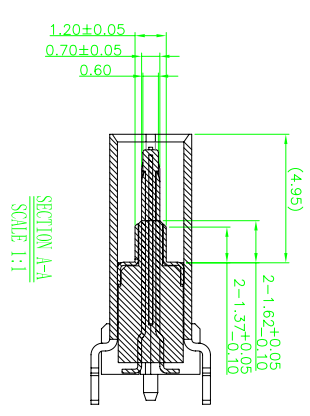
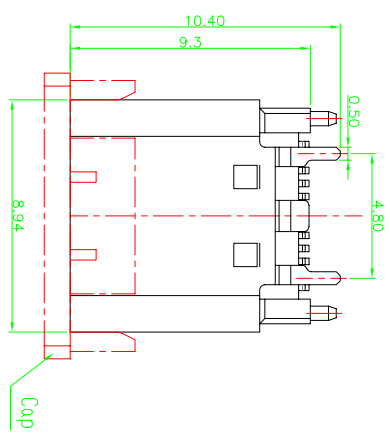


目錄 MAPX	變更內容 MODIFICATION	日期 DATE
------------	----------------------	------------



- NOTES:
- 1.MATERIAL:
MOLDING: LCP UL94 V-0
CONTACT: COPPER ALLOY.
GOLD PLATED 30u" Min ON CONTACT AREA, 100u"
Min TIN (LEAD FREE) ON SOLDER AREA,
SHELL: SUS304-H,T=0.30±0.03mm
50u" NICKEL PLATING OVER ALL.
SHLD:SUS304-H,T=0.12±0.03mm
 - 2.MECHANICAL:
INSERTION: 5~20N.
EXTRACTION: 8~20N.
DURABILITY: 10000 CYCLES
 - 3.ELECTRICAL:
CURRENT: 5A MIN FOR VBUS,
0.25A MIN FOR OTHER.
VOLTAGE: 5VAC MAX
WITHSTANDING VOLTAGE: 100V AC.
CONTACT RESISTANCE: 40mΩ MAX.
INSULATION RESISTANCE: 100MΩ MIN.
 - 4.ENVIRONMENTAL
TEMPERATURE RANGE -55°C ~ +85°C

产品图
PRODUCT CHART DWG

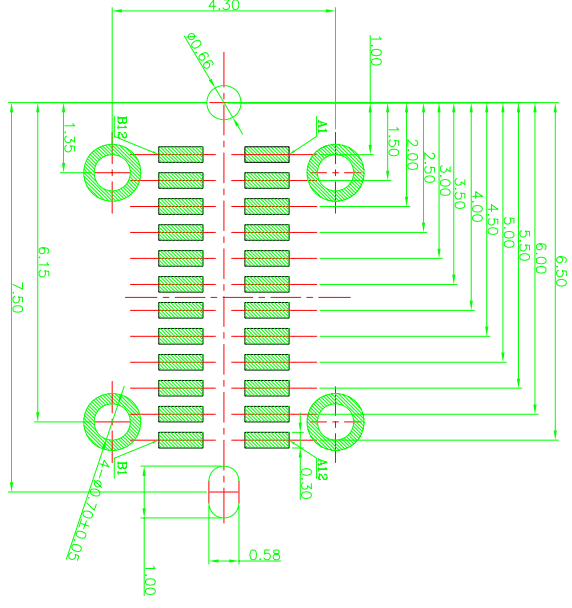
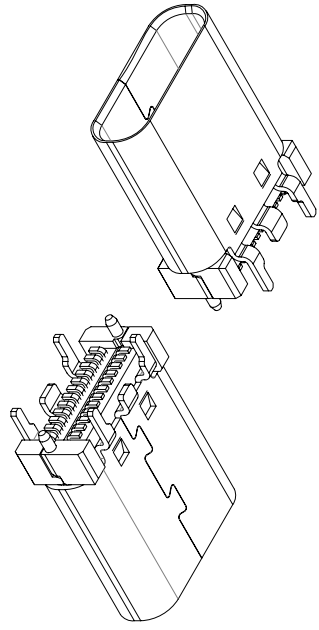
深圳市精拓金电子有限公司

公差一览表 TOLERANCE UNLESS OTHERWISE		单位 UNITS	MM	制图 DRAWING	Z-Y-B	产品料号 PRODUCT PART NO.	
X	±0.25	X'	±5'	审核 CHECK		产品名称 PRODUCT NO.	USB 3.1 C TYPE 母头180度贴板
.X	±0.20	.X'	±2'	日期 DATE	2015.07.30	角法 VIEW	⊕ ⊖
.XX	±0.15	.XX'	±1'	核准 APPRO		版本 VER	A0
.XXX	±0.10	.XXX'	±0.5'				

目錄 MAPX	變更內容 MODIFICATION	日期 DATE
------------	----------------------	------------

USB TYPE-C FULL-FEATURED RECEPTACLE INTERFACE PIN ASSIGNMENTS

PIN	Signal Name	Description	PIN	Signal Name	Description
A1	GND	Ground return	B12	GND	Ground return
A2	SSTXP1	Positive half of first SuperSpeed TX differential pair	B11	SSTXP1	Positive half of first SuperSpeed TX differential pair
A3	SSTXN1	Negative half of first SuperSpeed TX differential pair	B10	SSTXN1	Negative half of first SuperSpeed TX differential pair
A4	Vias	Bus Power	B9	Vias	Bus Power
A5	CC1	Configuration Channel	B8	CC1	Configuration Channel
A6	Dp1	Positive half of the USB 2.0 differential pair-Position 1	B7	Dp1	Positive half of the USB 2.0 differential pair-Position 1
A7	Dn1	Negative half of the USB 2.0 differential pair-Position 1	B6	Dn1	Negative half of the USB 2.0 differential pair-Position 1
A8	RFU1	Reserved for Future Use (RFU)	B5	RFU1	Reserved for Future Use (RFU)
A9	Vias	Bus Power	B4	Vias	Bus Power
A10	SSRXN2	Negative half of second SuperSpeed RX differential pair	B3	SSRXN2	Negative half of second SuperSpeed RX differential pair
A11	SSRX2	Positive half of second SuperSpeed RX differential pair	B2	SSRX2	Positive half of second SuperSpeed RX differential pair
A12	GND	Ground return	B1	GND	Ground return



RECOMMENDED P.C.B. LAYOUT (1:1.00mm)
 TOLERANCE UNSPECIFIED ±0.05mm
 SCALE: 2:1

产品图 PRODUCT CHART DWG 深圳市精拓金电子有限公司

公差一览表 TOLERANCE UNLESS OTHERWISE		单位 UNITS	比例 SCALE	日期 DATE	制图 DRAWING	Z-Y-B	产品料号 PRODUCT PART NO.	产品名称 PRODUCT NO.	角法 VIEW	版本 VER
X	±0.25	X'	±5'		审核 CHKD		USB 3.1 C TYPE 母头180度贴板			
XX	±0.15	XX'	±1'	2015.07.30	核准 APPD					A0
.XXX	±0.10	XXX'	±0.5'							