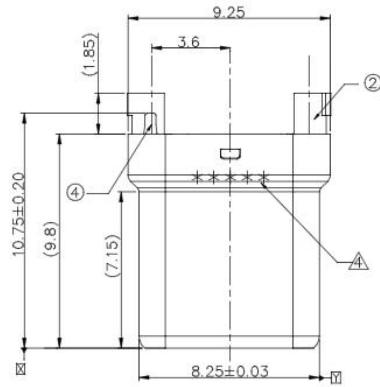


IDEAS GENERATED DRAWING. DON'T CHANGE BY HAND.

REV	ECN NO.	APPD.
A	BC-15-0041648	Nick Lin



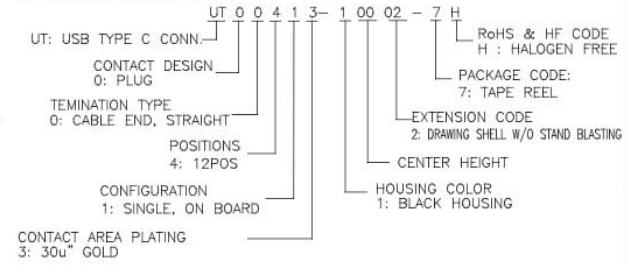
NOTE: UNLESS OTHERWISE SPECIFIED

- DIMENSIONS SHALL BE INTERPRETED PER ASME Y14.5-2009.
- ELECTRICAL CHARACTERISTIC:
 - CONTACT CURRENT RATING:
VBUS AND GND CONTACTS RATED AT 1.25A EA., PARALLELED FOR A TOTAL OF 5A.
 - LOW LEVEL CONTACT RESISTANCE:
40mOhms MAX. FOR VBUS, GND AND OTHER CONTACTS. 50mOhms MAX. AFTER ENVIRONMENT TEST.
- MECHANICAL CHARACTERISTICS:
 - INSERTION FORCE: 5~20N MAX.
 - EXTRACTION FORCE: 8~20N(0~1000 MATING CYCLES). 6~20N(AFTER 10000 MATING CYCLES).
 - DURABILITY: 10,000 MATING CYCLES.
 - OPERATING TEMPERATURE: -55°C TO +85°C.

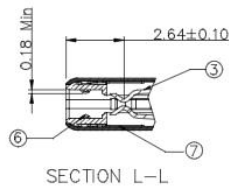
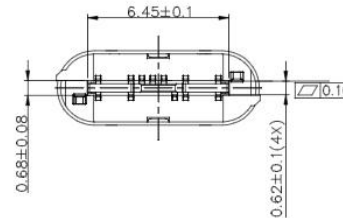
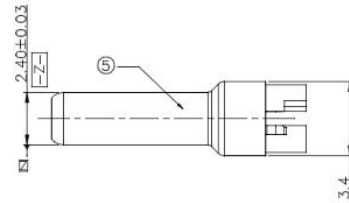
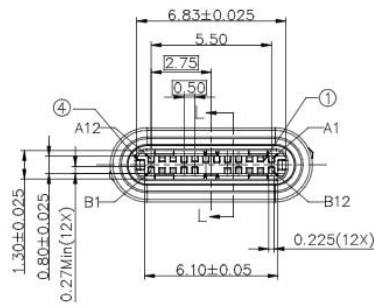
△ THE DATE CODE IS LOCATED APPROXIMATELY AS SHOWN.

5. PLEASE CONTACT FOXCONN SALES REPRESENTATIVE TO VERIFY PRODUCT DETAILS & AVAILABILITY.

6. PRODUCT NO. MATRIX :



- HARMFUL MATERIAL CONTROL PLEASE FOLLOW DOC.N.O."EPI 12".
- THE CONCENTRATIONS OF Br & Cl CAN SATISFY THE REQUIREMENTS OF HALOGEN-FREE IN DOCUMENT EPI12.



A12	GND	B1	GND
A11		B2	
A10		B3	
A9	VBUS	B4	VBUS
A8		B5	VCONN
A7	D-	B6	
A6	D+	B7	
A5	CC	B8	
A4	VBUS	B9	VBUS
A3		B10	
A2		B11	
A1	GND	B12	GND
PIN	SIGNAL NAME	PIN	SIGNAL NAME

x.±0.30	x.±	UNITS	mm
.x±0.25	.x±	MAT'L	
.xxx±0.15	.xx±	FINISH	
.xxx±0.02	.xxx±		
THESE DRAWINGS AND SPECIFICATIONS ARE THE PROPERTY OF FOXCONN INTERCONNECT TECHNOLOGY LIMITED AND SHALL NOT BE REPRODUCED, COPIED OR USED IN ANY MANNER WITHOUT THE PRIOR WRITTEN CONSENT OF FOXCONN INTERCONNECT TECHNOLOGY LIMITED.		Q'TY	

⑦	2	INSULATING FILM	PI MYLAR
⑥	2	EMI PLATE	STAINLESS STEEL
⑤	1	FRONT SHELL	STAINLESS STEEL
④	1	LATCH	STAINLESS STEEL
③	12	CONTACT	COPPER ALLOY
②	1	SPACER	THERMAL PLASTIC
①	1	HOUSING	THERMAL PLASTIC
ITEM	Q'TY	DESCRIPTION	MATERIAL

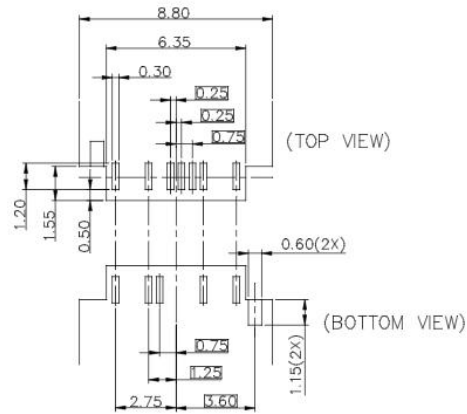
UT00413-10002-7H

NAME(INTENDED USE)	NEWARK USB CABLE END CONNECTOR	FOXCONN® FOXCONN INTERCONNECT TECHNOLOGY LIMITED CLASS: <input type="checkbox"/> CONFIDENTIAL <input type="checkbox"/> SECRET <input checked="" type="checkbox"/> GENERAL
PART NO.(INTENDED USE)	UT00413-10002-7H	
APPD:	Nick Lin	DWG NO.:
CHKD:	Bill He	327-0000-3282
DRAW:	Phil Zeng,08/27'15	SCALE SHEET REV.
		N/A 1/2 A

FK2B00065A

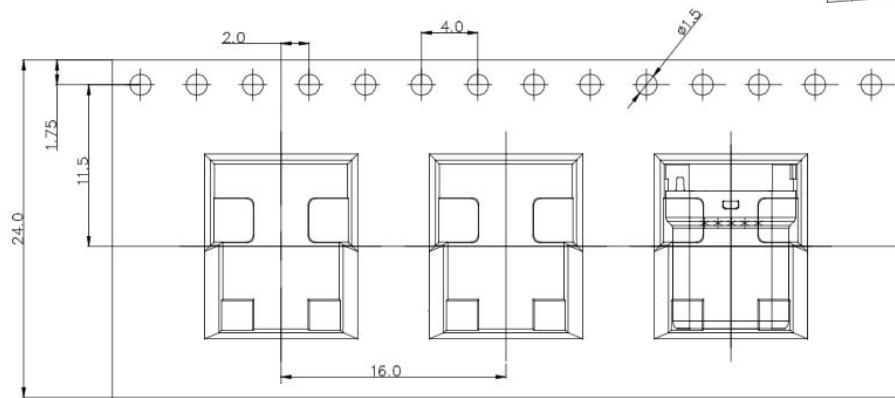
IDEAS GENERATED DRAWING. DON'T CHANGE BY HAND.

REV.	ECN NO.	APPD.
------	---------	-------



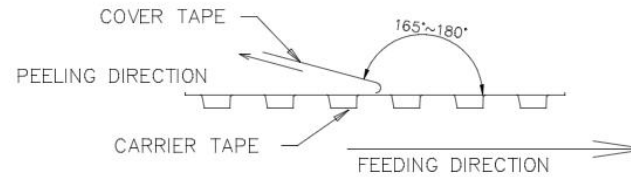
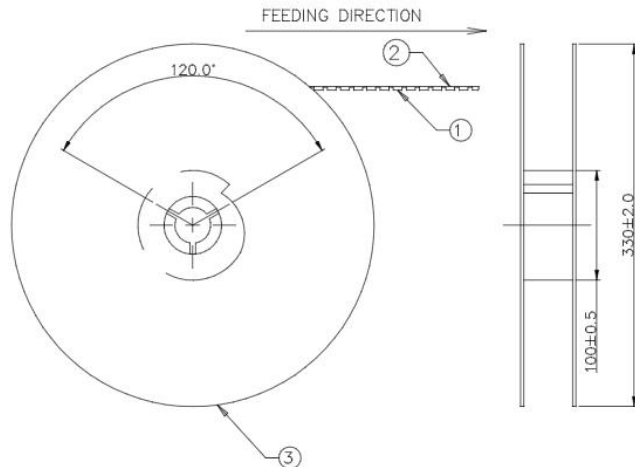
RECOMMENDED PCB LAYOUT

TOLERANCE: ±0.05mm



NOTES:

- 1.10 POCKETS HOLE PITCH CUMULARIVE TOLERANCE ±0.20mm.
- 2.NUMBER OF CONNECTORS: 900+36 PCS/REEL.
- 3.COVER TAPE PEELING STRENGTH : 0.1Kgf MAX. AT 300mm/min.



③	REEL	POLYSTYRENE
②	COVER TAPE	POLYESTER
①	CARRIER TAPE	POLYSTYRENE
ITEM	DESCRIPTION	MATERIAL

X.± 0.30	X'±	UNITS	mm	NAME(INTENDED USE)	FOXCONN FOXCONN INTERCONNECT TECHNOLOGY LIMITED
.X± 0.25	.X'±	MAT'L		NEWARK USB CABLE END CONNECTOR	
.XX± 0.15	.XX'±			PART NO.(INTENDED USE)	CLASS: <input type="checkbox"/> CONFIDENTIAL <input type="checkbox"/> SECRET <input checked="" type="checkbox"/> GENERAL
.XXX± 0.10	.XXX'±	FINISH		UT00413-10002-7H	TITLE: CUSTOMER DRAWING
THESE DRAWINGS AND SPECIFICATIONS ARE THE PROPERTY OF FOXCONN INTERCONNECT TECHNOLOGY LIMITED AND SHALL NOT BE REPRODUCED, COPIED OR USED IN ANY MANNER WITHOUT THE PRIOR WRITTEN CONSENT OF FOXCONN INTERCONNECT TECHNOLOGY LIMITED.				APPD: Nick Lin	DWG NO.: 327-0000-3282
				CHKD: Bill He	SCALE SHEET REV.
				DRAW: Phil Zeng,08/27'15	N/A 2/2 A

FK2B00065A