

XKB

CIRCUIT

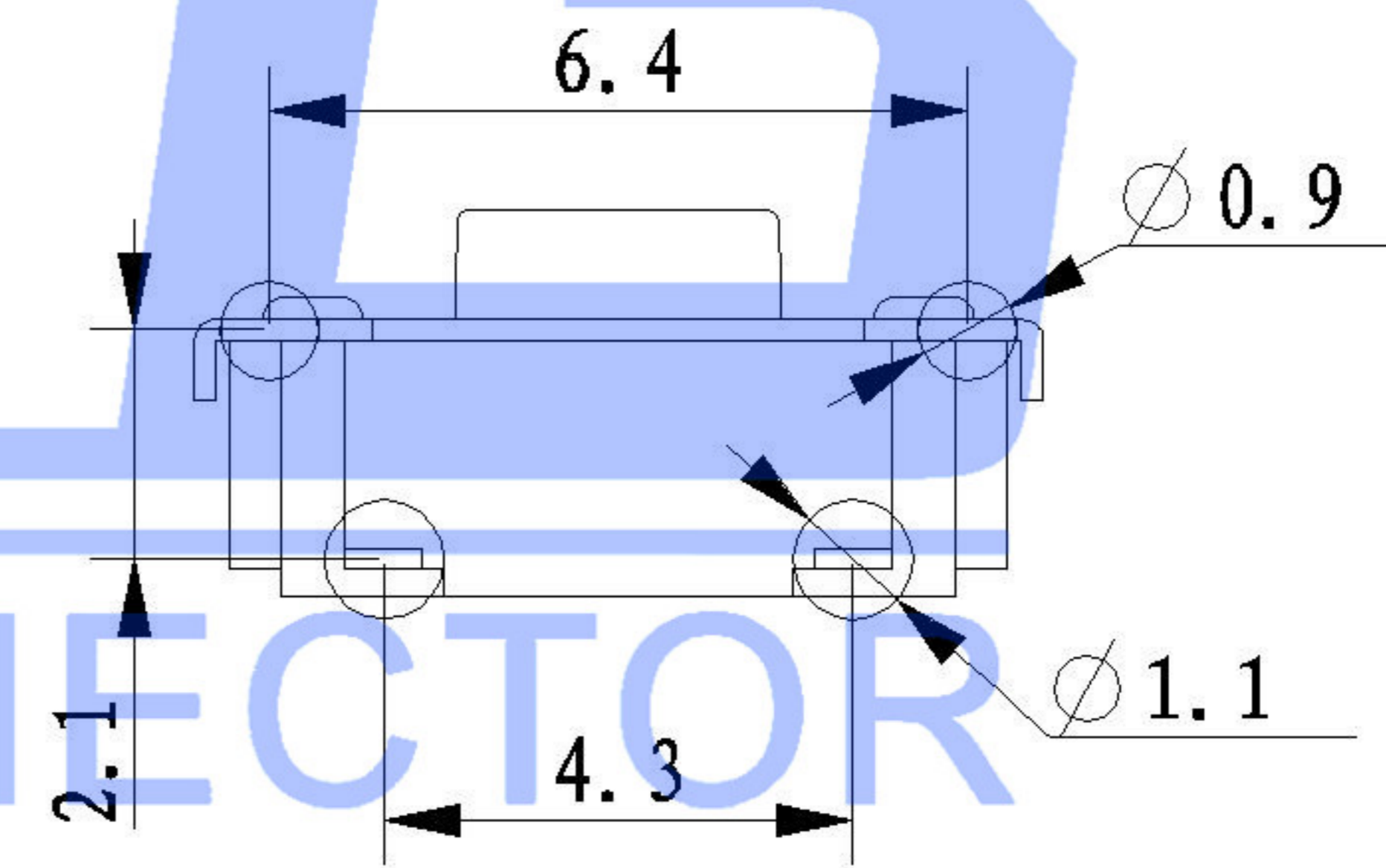
P. C. B LAYOUT

SWITCH CONNECTOR

**SPECIFICATION**

Contact Rating 50mA, 12V DC  
 Contact Resistance 100mΩ max.  
 Insulation Resistance 100MΩ min. 500V DC  
 Dielectric Strength 250V AC/1 minute  
 Travel 0.25 mm  
 Operating Temp. -25°C +70°C  
 Storage Temp. -30°C +80°C

PAPT NO	TS-1188A-X-X
Operating Force	B: 160gf C: 260gf
Height	H: A: 3.55 B: 4.3 C: 5.0



⑤	Terminal	—	4	Brass (0.30t)	ag Plated	—
④	Contact	—	1	F.ag/SUS		—
③	Base	—	1	LCP		—
②	Cover	—	1	Brass	Tin plated	—
①	Keystake	—	1	LCP		—
ITEM	PAPT NAMF	TER,NO	QTY	MATERIAL	FINISHING	REMARK

△X					units: mm
△X					tolerance: X.X ±0.2mm
△X					X.XX ±0.1mm
MARK	DESCRIPTION	DATE	REVISED	APPROVED	X.XXX ±0.05mm
REVISIONS					UNSPECIFIED TOLERANCES
www.xk-dg.cn www.helloxkb.com www.helloxkb.cn					

DSND		DATE		SCALE: N/A	MODEL TYPE: TACT SWITCH
DWN		DATE		VIEW:	PART NO.:
CHKD		DATE		UNIT: mm	DWG NO.: TS-1188A-X-X
APPD		DATE		SIZE: A4	WEIGHT 1.0g
XKB INDUSTRIAL PRECISION CO.,LIMITED					SHEET 1/1
					REVISION A0