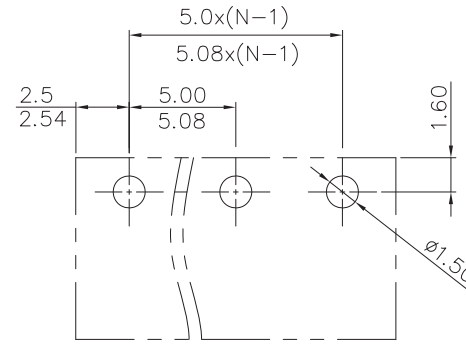
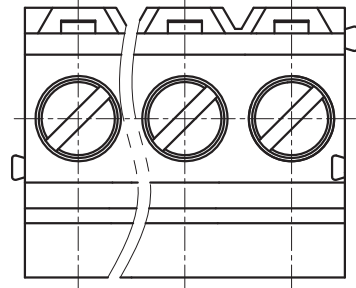


REVISION RECORD				
REV	ECN	DESCRIPTION	DRFT	DATE



PCB LAYOUT

NOTES1:

UL Standard

- 1.Rated Voltage/Current : 300V / 20A
- 2.Torque Value : M2.5 , 3.54Lb.in
- 3.Wire Range : 28~12AWG

IEC Standard

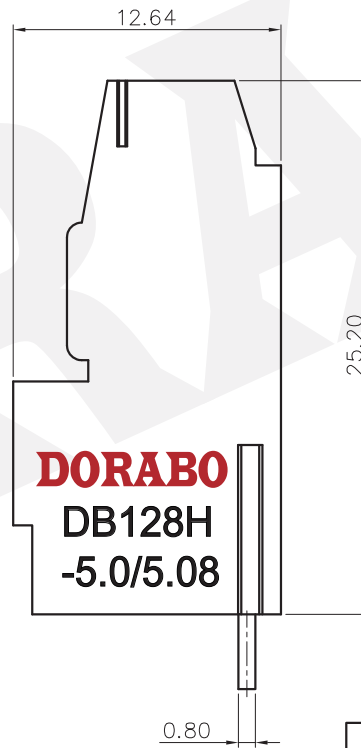
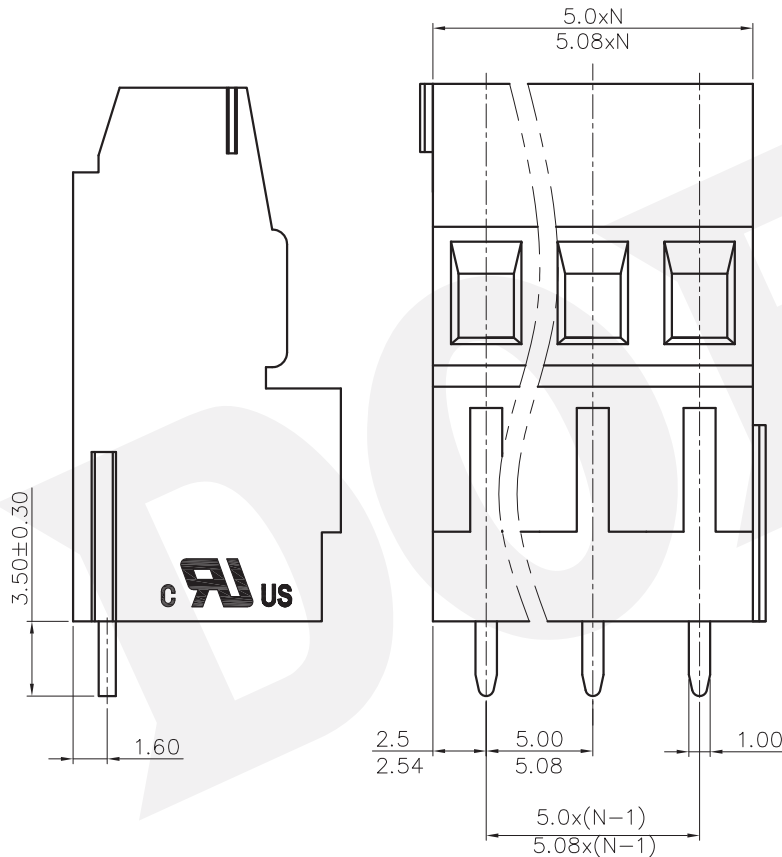
- 1.Rated Voltage/Current : 250V / 24A
- 2.Torque Value : M2.5 , 0.4N.m
- 3.Wire Range : 2.5mm²

NOTES2:

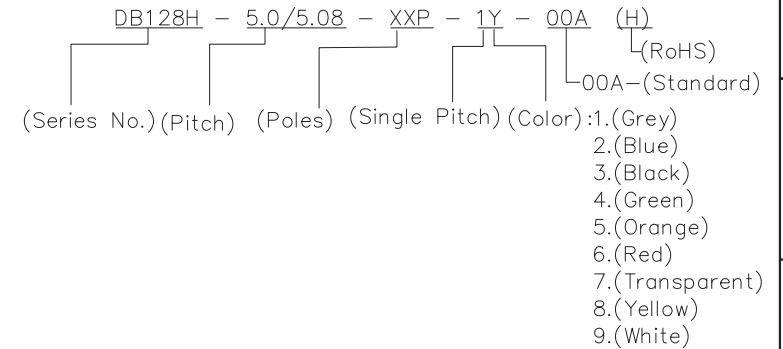
- 1.Dimension shall be interpreted per ASME Y14.5-2009
- 2.Pitch : 5.0/5.08mm, Poles : N=02~XXP
- 3.Stripping length : 6~7mm
- 4.Withstanding Voltage : AC2000V/1Min.
- 5.Operating temperature: -40°C~+105°C
- 6.Undimensioned Tolerances:

Pitch range in mm		Nominal dimension range in mm							⊖	∇
TO	Over	Over	Over	Over	Over	Over	Over	0.1/10	∠	
6	6 TO 10	10 TO 24	30 TO 60	60 TO 100	100 TO 150	150	∠			
±0.15	±0.20	±0.30	±0.30	±0.50	±0.70	±1.00	±1.30	±2'		

7.RoHS Compliance



DORABO
DB128H
-5.0/5.08



DETACHED LISTS	PART NO.:	/			
	APPD:	/			
	CHKD:	/			
	DRFT:	/			
	THIRD ANGLE PROJECTION				
NAME:		DORABO 慈溪市地博电子有限公司 CIXI DORABO ELECTRONICS CO.,LTD			
TITLE:		CUSTOMER DRAWING		REV	D0
DRAWING NO.:		/		SHEET	1/1
MM (INCH)		DO NOT SCALE DRAWING		SCALE	1:1