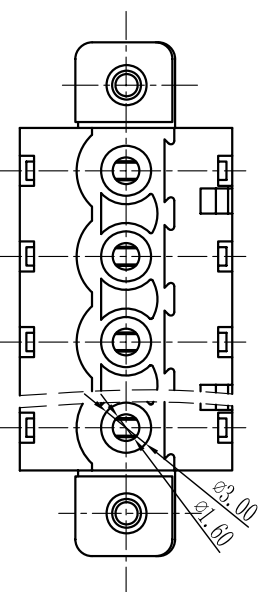
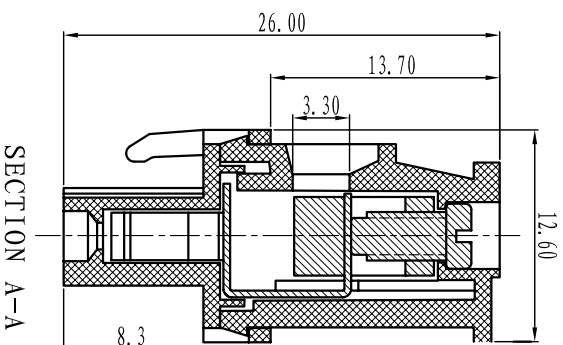
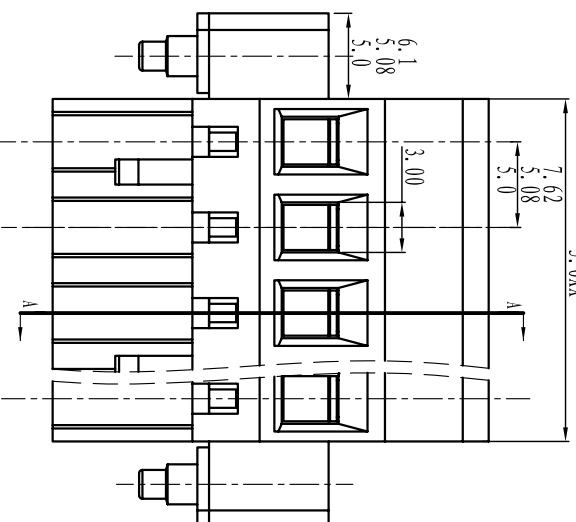




Cixi Dibo Electronics Co.,LTD

产品规格书
product specification

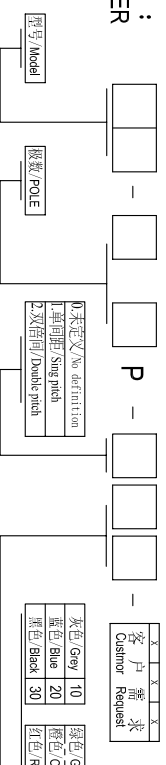
7.62XX-1.8
5.08XX
5.0XX



TOLERANCES EXCEPT AS NOTED

	linear dimension	fillet	chamfer	short angle sid	≡	—	□	//	⊥
Variable range	6 to 6 30 to 30 120 to 120 480 to 480	all to 6	over 6 to 6	over 10 to 10 50 to 50 120 to 120	all to 5	over 5 to 5 30 to 30 120 to 120	over 5 to 5 30 to 30 120 to 120	over 120 to 120	
tolerance	±0.1 to ±0.2 ±0.3 to ±0.5 ±0.5 to ±0.9	±0.2 to ±0.5	±0.5 to ±1	1° to 10° 30' to 20'	0.5 to 0.025	0.025 to 0.06	0.06 to 0.12	0.4	

订购方式：
HOW TO ORDER



单位/UNITS mm 尺寸/SIZE A4 比例/SCALE

Cixi Dibo Electronics Co.,LTD

第一视角/FIRST ANGLE PROJECTION



名称/NAME DB2EKAM-5.0/5.08

电气性能/Electrical

参考标准/Standard: UL IEC
 额定电压/Rated voltage: 300V 320V
 额定电流/Rated current: 15A 20A
 接触电阻/Contact resistance: 20mΩ
 使用线径/Wire range: 28-14AWG 2.5mm²
 耐电压/Withstanding voltage: AC2000V/1Min
 绝缘电阻/Insulation resistance: 500MΩ/DC500V

机械性能/Mechanical

温度范围/Temp Range: -40°C~+105°C
 扭矩/Torque: 0.5Nm (4.5lb·in)

尺寸/Dimensions

间距/Pitch: 5.0mm, 5.08mm, 7.62mm
 极数/Poles: 02P-24P

材质及电镀/Material

塑件/Housing: PA66, UL94V-0
 螺丝/Screws: M3, steel Zinc plated
 夹子/Clamp: Brass, Ni plated
 方块/wire guard: Phosphor bronze, Ni plated

灰色/Grey	10	绿色/Green	40	透明/Transparent	70
蓝色/Blue	20	橙色/Orange	50	黄色/Yellow	80
黑色/Black	30	红色/Red	60	白色/White	90

客户需求
Customer Request