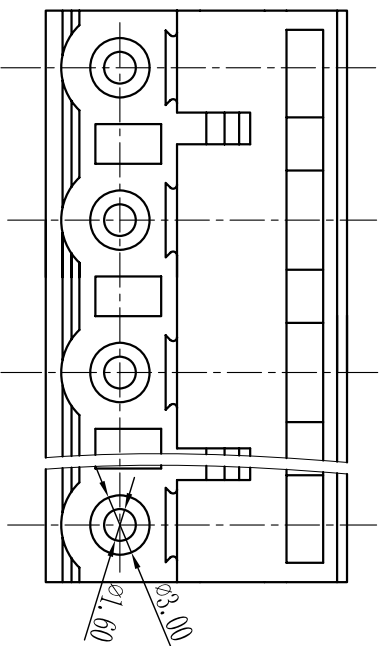
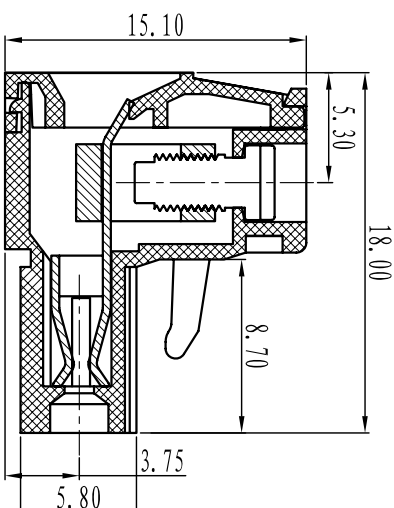
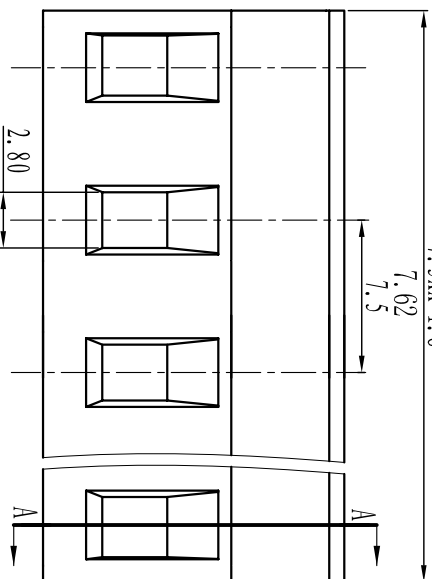




Cixi Dibo Electronics Co., LTD

产品规格书
product specification

7.62XX-1.8
7.5XX-1.8



电气性能/Electrical

参考标准/Standard: UL IEC

额定电压/Rated voltage: 300V 320V

额定电流/Rated current: 15A 20A

接触电阻/Contact resistance: 20mΩ

使用线径/Wire range: 28-14AWG 2.5mm²

耐电压/Withstanding voltage: AC2000V/1Min

绝缘电阻/Insulation resistance: 500MΩ/DC500V

机械性能/Mechanical

温度范围/Temp Range: -40°C+105°C

扭矩/Torque: 0.5Nm (4.51lb·in)

剥线长度/Strip length: 7-8mm

尺寸/Dimensions

间距/Pitch: 7.5mm, 7.62mm

极数/Poles: 2P-24P

材质及电镀/Material

塑件/Housing: PA66, UL94V-0

螺丝/Screws: M3, 0, steel Zinc plated

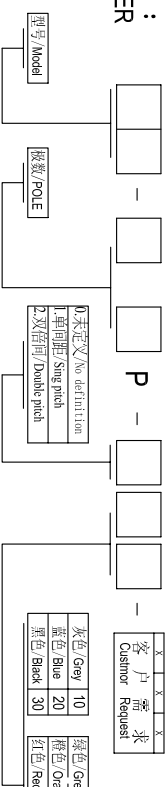
方块/Wire guard: Brass, Ni plated

簧片/Clamp: Phosphor bronze, Ni plated

TOLERANCES EXCEPT AS NOTED

	linear dimension	fillet	chamfer	short angle sid					
variable range	over 6 to 30	over 30 to 120	over 120 to 480	all to 6	over 6 to 10	over 10 to 50	over 50 to 120	all to 5	over 5 to 30
tolerance	±0.1	±0.2	±0.3	±0.5	±0.9	±0.2	±0.5	±1	1°

订购方式： HOW TO ORDER



颜色/Color	数量/Quantity
灰色/Grey	10
蓝色/Blue	20
黑色/Black	30
绿色/Green	40
棕色/Orange	50
红色/Red	80
透明/Transparent	70
黄色/Yellow	80
白色/White	90

单位/UNITS	尺寸/SIZE	A4	比例/SCALE	比例
----------	---------	----	----------	----

Cixi Dibo Electronics Co., LTD

第一视角/FIRST ANGLE PROJECTION



名称/NAME DB2EK-7.5/7.62