

环保物料

TEL: 0769-82001899

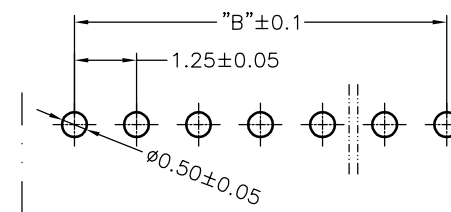
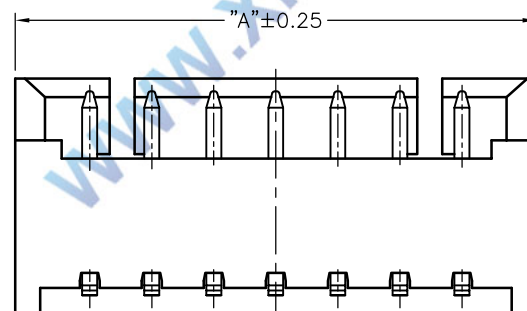
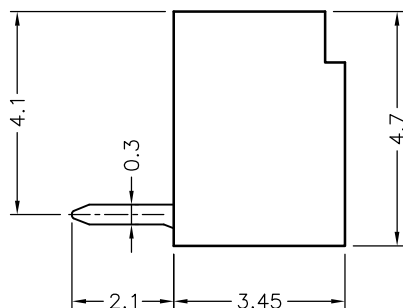
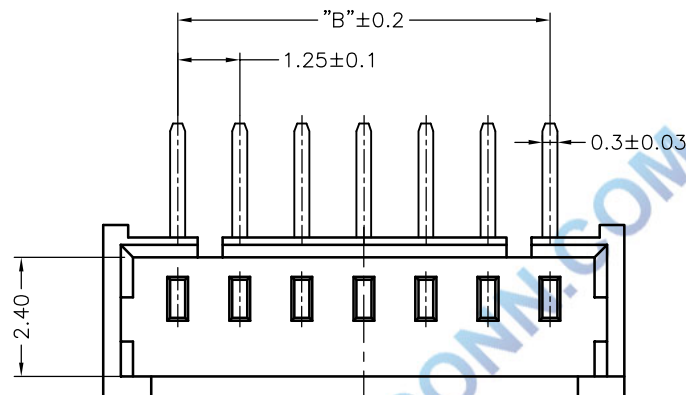
Poles	DIM.A	DIM.B
2	4.25	1.25
3	5.50	2.50
4	6.75	3.75
5	8.00	5.00
6	9.25	6.25
7	10.50	7.50
8	11.75	8.75
9	13.00	10.00
10	14.25	11.25
11	15.50	12.50
12	16.75	13.75
13	18.00	15.00
14	19.25	16.25
15	20.50	17.50
16	21.75	18.75

SPECIFICATIONS

- 1.Voltage rating: 125V AC, DC
 - 2.Current rating: 1A, AC, DC
 - 3.Withstanding Voltage: 500V AC/minute
 - 4.Insulation resistance:100M min
 - 5.Temperature range: -25 ° C-+85 ° C
 - 6.Contact resistance: 20m max
- WAFER

Housing Material: Nylon66 UL 94V0
 Pin Material: Phosphor Bronze or Brass
 Contact Area Plating: Plated Tin or Plated Gold
 Mates with :P1250 series Housing
 Poles:02-16P
 Part No.: M1250R-xx-46

Pin位数



P.C.B LAYOUT

				TOLERANCE UNLESS OTHERWISE		DRAWN	CK tan	XFCN兴飞连接器有限公司 CONNECTORS XFCN CONNECTORS CO., LTD.		SHEET	1/1
				X.	±0.30	X°	±5°			CHKD	DATE
				.X	±0.20	.X°	±2°	APPD	PRODUCT NAME	1.25mm Crimp Style Connectors	
				.XX	±0.08	.XX°	±1°	VIEW	PART. NO.	M1250R-xx-46	
				.XXX	±0.03	.XXX°	±0.5°			UNITS	mm
				AO	MODIFICATION	DRAW	DATE			SCALE	1:1
				VER						DWG NO.	009