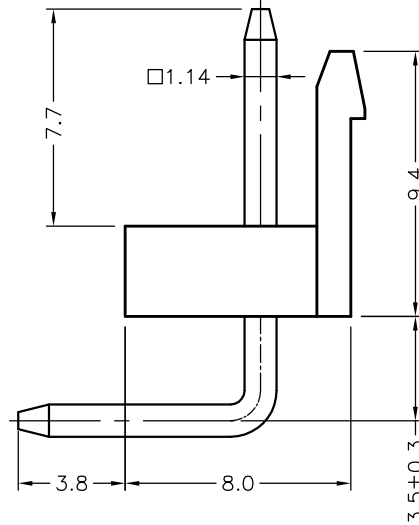
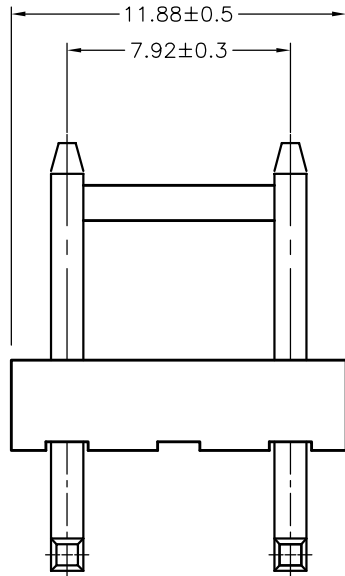


P.C.B. LAYOUT

■ Specifications :

- Voltage rating: 250V AC / DC
- Current rating: 7A AC / DC
- Withstanding voltage: 1500V AC/minute
- Temperature range: -25°C~+85°C
- Insulation resistance: $\geq 1000M\Omega$
- Contact resistance: $\leq 10m\Omega$
- After environmental testing: $\leq 20m\Omega$



				TOLERANCE UNLESS OTHERWISE		DRAWN	CK tan	XFCN 兴飞连接器有限公司		SHEET	1/1
				X.	±0.30	X°	±5°	CONNECTORS XFCN CONNECTORS CO., LTD.		DATE	2010. 4. 12
				.X	±0.20	.X°	±2°	PRODUCT NAME	3.96mm Crimp Style Connectors	UNITS	mm
				.XX	±0.08	.XX°	±1°	PART. NO.	M3960R-03N2P	SCALE	1:1
AO	MODIFICATION		DRAW	DATE	.XXX	±0.03	.XXX°	VIEW		DWG. NO.	009