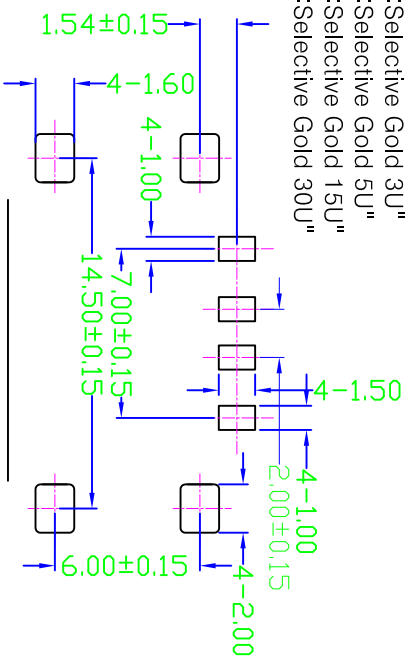
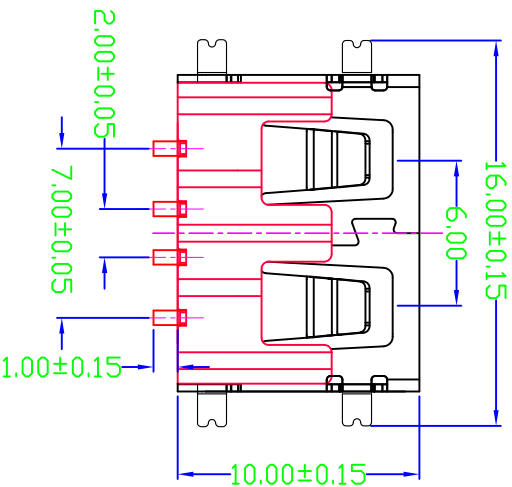
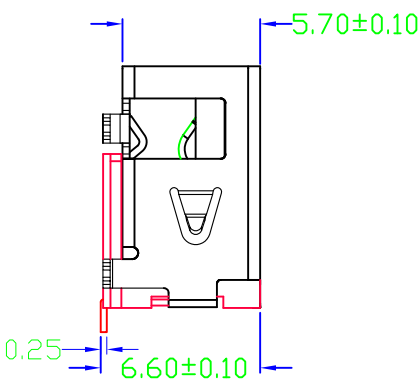
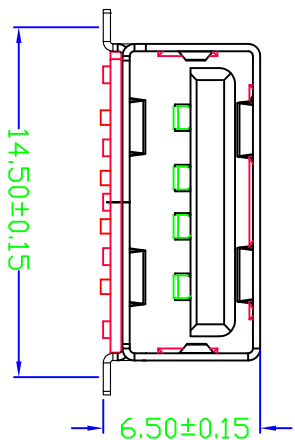
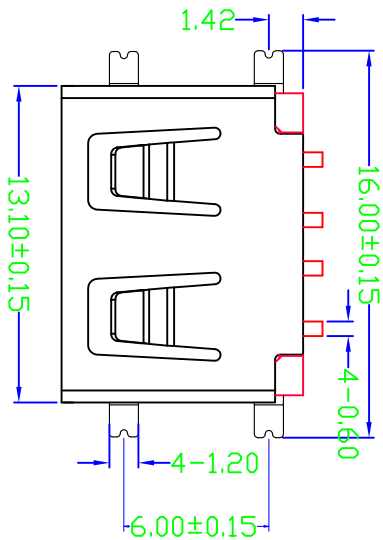


正向10.0全贴/6.50



FRONT EDGE OF CONNECTOR
PCB LAYOUT

NOTES:
 1. HOUSING: SEE NOTES, UL94V-0 .
 TERMINAL: SEE NOTES.
 SHELL: SEE NOTES.

SPECIFICATION:

1. ELECTRICAL CHARACTERISTIC:

CONTACT RESISTANCE: 30MΩ MAX
 DIELECTRIC WITHSTANDING VOLTAGE: 500V AC FOR 1MIN
 INSULATION RESISTANCE: 1000MΩ MIN

2. MECHANICAL CHARACTERISTIC:

INSERTION FORCE: 35N(3.57KGF) MAX
 EXTRACTION FORCE: 10~35N(1.02~3.57KGF)/MIN
 DURABILITY: 1500 CYCLES EXTRACTION FORCE:10~35N
 5000 CYCLES MIN

3. ENVIRONMENTAL:

OPERATING TEMPERATURE: -55°C+85°C

4. Contact finish:

- 01: Selective Gold Flash
- 02: Selective Gold 3U"
- 03: Selective Gold 5U"
- 04: Selective Gold 15U"
- 05: Selective Gold 30U"

产品图
PRODUCT CHART DWG

深圳市精拓金电子有限公司

公差一览表

单位: MM

TOLERANCE UNLESS OTHERWISE

制图: Z-Y-B

X: ±0.25 X: ±5°

制图料号: JTJ-1(USB-10.0)/SMT-002

X: ±0.20 X: ±2°

审核: (方雅)

XX: ±0.15 XX: ±1°

日期: 2015/04/24

XXX: ±0.10 XXX: ±0.5°

版本: AD

MAPX

MODIFICATION

DATE

A B C D E F G

A B C D E F G

1 2 3 4 5 6 7 8 9 10