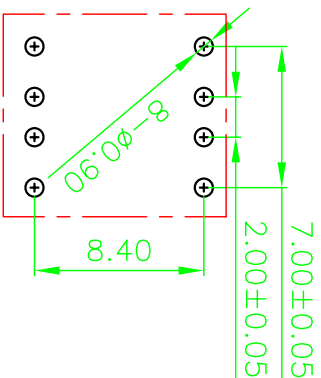
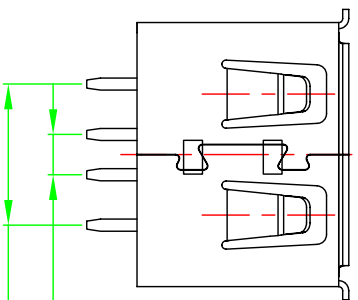
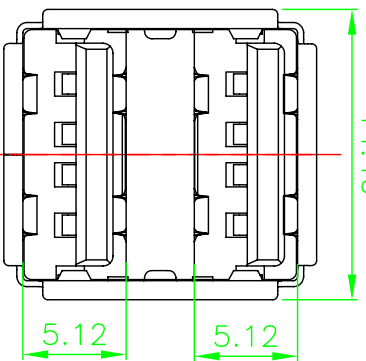
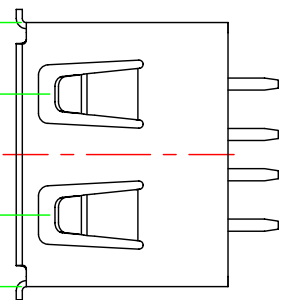
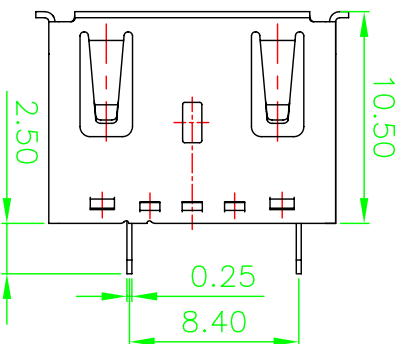


RoHS

Parts Drawing



RECOMMENDED P.C.B
PATTERN LAY OUT



1	907-312A1021Y102	5
2		6
3		7
4		8

Note:

1. Material:

- 1.1, Housing: High temperature thermoplastic with/black g.f, UL94v-0
- 1.2, Contact: copper alloy, t=0.25mm
- 1.3, Shell: copper/Ferroalloy alloy, t=0.30mm

2. Specification:

- 2.1, Current rating: 1.5A Max.
- 2.2, Dielectric withstanding voltage: 100 V(ac) for 1 min.
- 2.3, Contact resistance: 30 mΩ Max.
- 2.4, Insulation resistance: 100 MΩ Min.
- 2.5, Total mating force: 3.57 Kgf Max.
- 2.6, Total unmating force: 1.0 Kgf Min.

3. Finish:

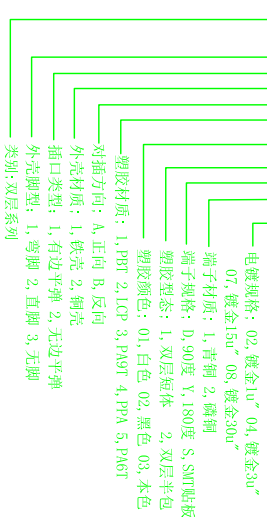
- 3.1, Contact: Plated Gold in Mating Area:
Tin On Solder Tails

Shell: Nickel Plating

4. Environmental:

- 4.1, Temperature range: -55°C~85°C

PART ON:
907-222AXXX1Y1XX



丹 深圳市精拓金电子有限公司

DRAWN	TITLE	PART NO.	SCALE	SHEET	SIZE	REV.
CHECKED	USB AP 10.5短体双层无脚	SEE PART ON	1:1	1 OF 1	A4	X1
APPROVED	有边	DRAWING NO.	R907312A1021Y102			
	TOLERANCE	.XXX±.10, .XX±.25, .X±.38, ANG±5°				
	UNIT	mm				
	3rd ANGLE PROJECTION					