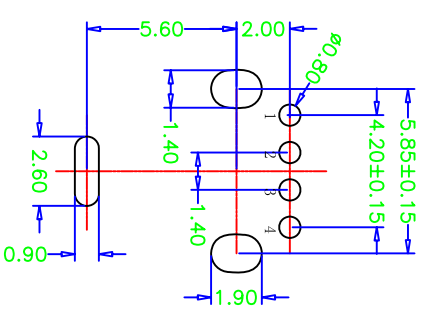
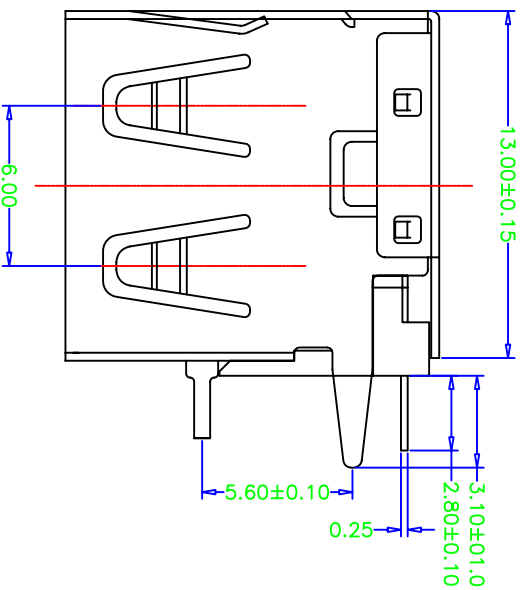
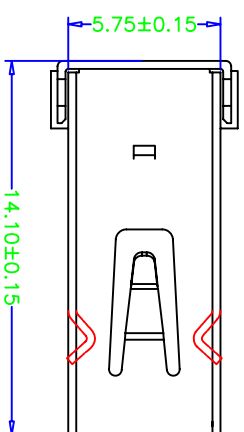
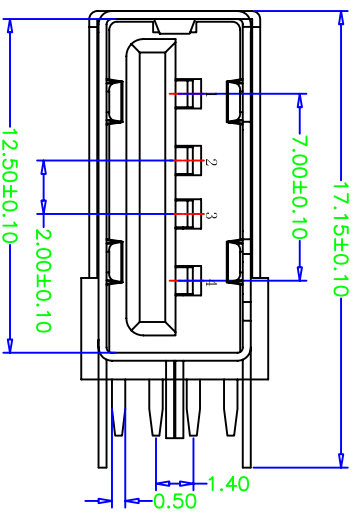
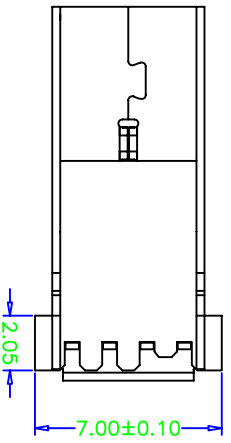


REV	MODIFICATION	DATE
A0	胶芯变更	2013.12.20



RECOMMENDED PCB LAYOUT
GENERAL TOLERANCES: ±0.05

NOTE:

- Material:
Housing: Thermoplastics, UL94V-0 (ROHS, HF)
Contact: Phosphor Bronze C5191-EH/C2680-EH, T=0.25mm
Shell: COPPER ALLOY T=0.30mm
- FINISH:
Contact: 15u" Gold Plated on Contact Area,
80u" Min. Tin Plated on Solder Area
50u" Min. Nickel Underplating Over ALL.
Shell: 50u" Min. Nickel Underplating Over ALL.
- Specification:
 - Rating:
Rated voltage 500V AC/DC. Rated current: 2 A Max.
 - Electrical:
Insulation Resistance(EIA-364-21):
1000MΩ Min. at 500V/DC for 1Minute.
Contact Resistance(EIA-364-23):
30 mΩ Max. at 20mV Max, 50mA
 - Dielectric Withstanding Voltage(EIA-364-20):
No discharge, Flashover or breakdown at 500V/AC 1Minute
- Plug extraction force shall be between 1.0kgf and 2.00kgf
- Contact finish:
 - Selective Gold Flash
 - Selective Gold 3U"
 - Selective Gold 5U"
 - Selective Gold 15U"
 - Selective Gold 30U"

产品图
公差一览表

深圳市精拓金电子有限公司

PRODUCT CHART DWG		单位		制图		制料号	
TOLERANCE	UNLESS OTHERWISE	UNITS	MM	DRAWING	Z-Y-B	PRODUCT PART NO.	PRODUCT NO.
X	±0.25	X	±5.°	审核		USB A/F侧立短体4PIN Y型脚无卷边	(直脚 L=14.0)
X	±0.20	X	±2.°	核准			
XX	±0.15	XX	±1.°	日期	2013.12.20	角法	版本
XXX	±0.10	XXX	±0.5°	DATE		REV	A0