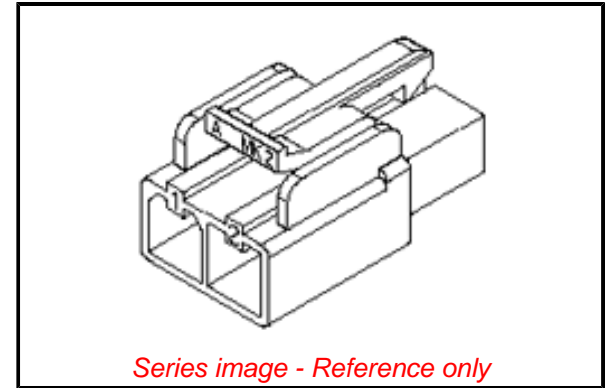


PLEASE CHECK WWW.MOLEX.COM FOR LATEST PART INFORMATION

Part Number: **0351510210**
Status: **Active**
Overview: VersaBlade Wire-to-Wire Connector System
Description: Wire-to-Wire VersaBlade Hybrid Receptacle Housing, 2 Circuits, Polyester UL94V-0, Natural

Documents:

3D Model	Product Specification PS-35150-003-001 (PDF)
Drawing (PDF)	Packaging Specification PK-35151-003-001 (PDF)
Product Specification PS-35150-001-001 (PDF)	RoHS Certificate of Compliance (PDF)



Agency Certification

CSA	LR19980
UL	E29179

General

Product Family	Crimp Housings
Series	<u>35151</u>
Application	Power, Wire-to-Wire
Comments	Polarized to Mating Part, Positive Lock
Overview	<u>VersaBlade Wire-to-Wire Connector System</u>
Product Name	VersaBlade
UPC	800754375566

Physical

Circuits (maximum)	2
Color - Resin	Natural
Flammability	94V-0
Gender	Receptacle
Glow-Wire Capable	No
Keying to Mating Part	None
Lock to Mating Part	Yes
Material - Resin	Polyester
Net Weight	1.726/g
Number of Rows	1
Packaging Type	Bag
Panel Mount	No
Pitch - Mating Interface	6.20mm
Pitch - Termination Interface	6.20mm
Polarized to Mating Part	Yes
Stackable	No
Temperature Range - Operating	-40° to +120°C

Solder Process Data

Lead-freeProcess Capability	N/A
-----------------------------	-----

Material Info

Reference - Drawing Numbers

Packaging Specification	PK-35151-003-001
Product Specification	PS-35150-001-001, PS-35150-003-001
Sales Drawing	SD-35151-021*

EU ELV

Not Relevant

EU RoHS

Compliant

REACH SVHC

Not Contained Per - ED/61/2018 (27 June 2018)

Halogen-Free

Status

Not Low-Halogen

For more information, please visit [Contact US](#)

China ROHS

ELV

RoHS Phthalates

China RoHS

Green Image

Not Relevant

Not Contained

Search Parts in this Series

[35151 Series](#)

Mates With

[35150 Plug Housing](#)

Use With

VersaBlade Crimp Terminals [35746](#) ,
VersaBlade TPA [35150](#)

Mouser Electronics

Authorized Distributor

Click to View Pricing, Inventory, Delivery & Lifecycle Information:

[Molex:](#)

[35151-0210](#)