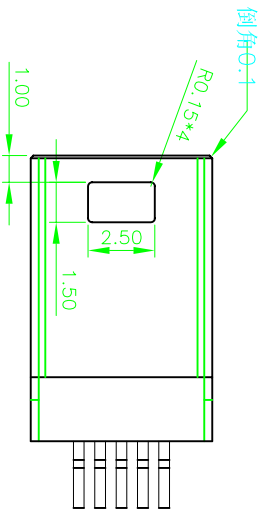
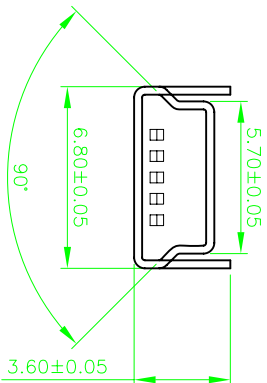
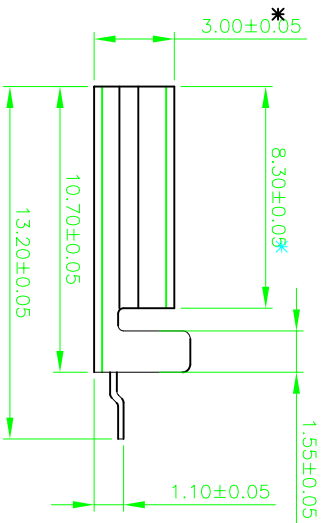


RECOMMENDED PCB LAYOUT



MAPX	MODIFICATION	DATE

- NOTES:
- Housing: Thermoplastics, UL94V-0
 - Contact: Copper Alloy
 - Shell: Copper Alloy/Steel
 - Voltage Current Rating: 1.5 AMP, 30V AC
 - Insulation Resistance: 1000MΩ Min.
 - Contact Resistance: 30 MΩ Max.
 - Dielectric Withstanding Voltage: 500W AC
 - Temperature Range: -35°C to +85°C
 - Insulator color: Black/White
 - Plastic material: PBT/LCP/Others
 - Shell finish: Nickel plated/Tin-Lead plated
- Mechanical:
- Mating Force: 3.5KG MAX
 - Umating Force: 1.0 KG MIN.
- Contact finish:
- 01: Selective Gold Flash
 - 02: Selective Gold 3U"
 - 03: Selective Gold 5U"
 - 04: Selective Gold 15U"
 - 05: Selective Gold 30U"

深圳市精拓金电子有限公司

公差一览表		公差一览表	
TOLERANCE	UNLESS OTHERWISE SPECIFIED	UNITS	OTHER USE
X	±0.25	X	±5.°
X	±0.20	X	±2.°
.XX	±0.15	.XX	±1.°
.XXX	±0.10	.XXX	±0.5°

单位	MM	制图	Z-Y-B	制料号	MINI	USB	5PIN
UNITS	MM	DRAWING	Z-Y-B	PRODUCT PART NO.	MINI	USB	5PIN
比例 <td>1:1 <td>审核 <td> </td> <td>产品名称 <td> </td> <td> </td> <td> </td> </td></td></td>	1:1 <td>审核 <td> </td> <td>产品名称 <td> </td> <td> </td> <td> </td> </td></td>	审核 <td> </td> <td>产品名称 <td> </td> <td> </td> <td> </td> </td>		产品名称 <td> </td> <td> </td> <td> </td>			
SCALE	1:1 <td>CHRD</td> <td> </td> <td>PRODUCT NO.</td> <td> </td> <td> </td> <td> </td>	CHRD		PRODUCT NO.			
日期 <td>2012.03.10 <td>核准 <td> </td> <td>角法 <td> </td> <td> </td> <td> </td> </td></td></td>	2012.03.10 <td>核准 <td> </td> <td>角法 <td> </td> <td> </td> <td> </td> </td></td>	核准 <td> </td> <td>角法 <td> </td> <td> </td> <td> </td> </td>		角法 <td> </td> <td> </td> <td> </td>			
DATE	2012.03.10	APPR		VIEW			
						版本	
						VER	
							A0