

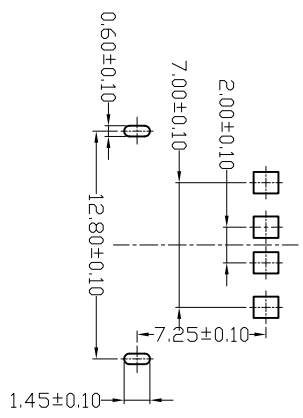
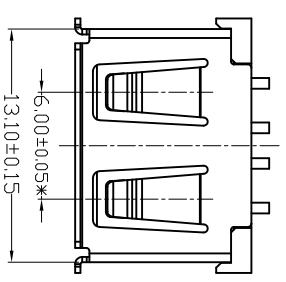
MAPX	MODIFICATION	DATE
------	--------------	------

NOTES:

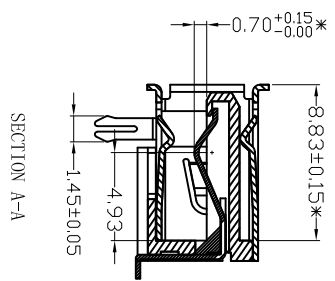
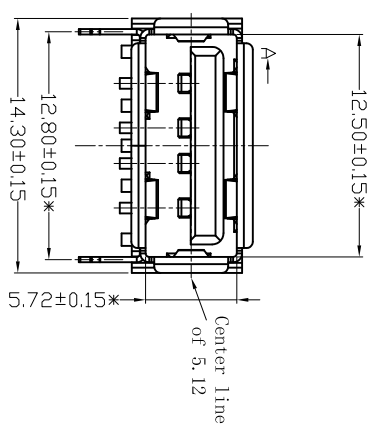
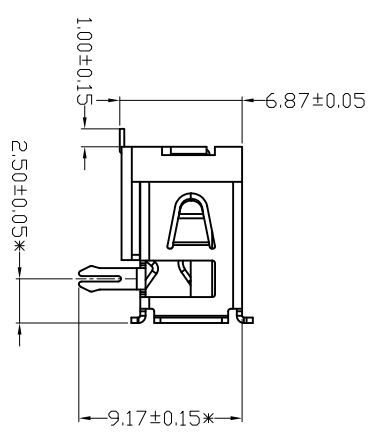
1. HOUSING: SEE NOTES, TERMINAL: SEE NOTES, SHELL: SEE NOTES.

SPECIFICATION:

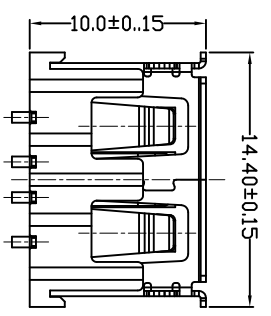
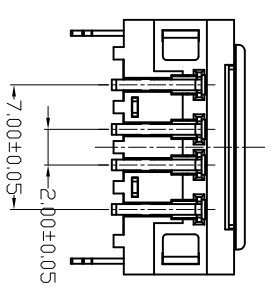
- ELECTRICAL CHARACTERISTIC:
CONTACT RESISTANCE: 30MΩ MAX
DIELECTRIC WITHSTANDING VOLTAGE: 500V AC FOR 1MIN
INSULATION RESISTANCE: 1000MΩ MIN
- MECHANICAL CHARACTERISTIC:
INSERTION FORCE: 35N(3.57KG) MAX
EXTRACTION FORCE: 10~35N(1.02~3.57KG) MIN
DURABILITY: 1500 CYCLES EXTRACTION FORCE: 10~35N
3000 CYCLES MIN
5000 CYCLES EXTRACTION FORCE: 3~35N
- ENVIRONMENTAL:
OPERATING TEMPERATURE: -55°C~85°C
- Contact finish:
01: Selective Gold Flash
02: Selective Gold 30"
03: Selective Gold 50"
04: Selective Gold 150"
05: Selective Gold 300"



FRONT EDGE OF CONNECTOR
PCB LAYOUT



SECTION A-A



产品图
公差一览表
PRODUCT CHART DWG

深圳市精拓金电子有限公司

TOLERANCE UNLESS OTHERWISE	公差一览表	UNIT	单位	DRAWING	制图	PRODUCT PART NO.	制图料号
X ±0.25	X	±5°	MM	审核	Z-Y-B	PRODUCT NO.	产品名称
X ±0.20	X	±2°	SCALE	CHKD	1:1	PRODUCT NO.	USB A/F SMT (10.0)有卷边
XX ±0.15	XX	±1°	DATE	APPR	2012.06.15	VIEW	角法
XXX ±0.10	XXX	±0.5°				VER	版本
							AD

G 1 2 3 4 5 6 7 8 9 10
A B C D E F G