

MAPX	MODIFICATION	DATE
------	--------------	------

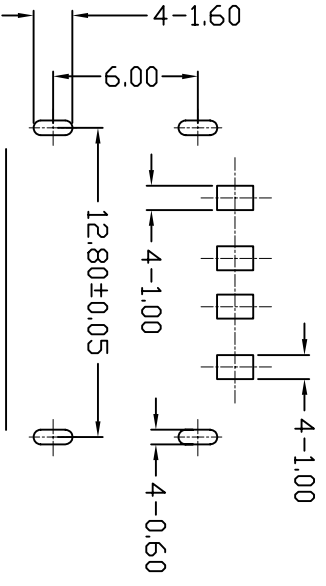
NOTES:
 1. HOUSING: SEE NOTES, TERMINAL: SEE NOTES, SHELL: SEE NOTES.
 SPECIFICATION:

1. ELECTRICAL CHARACTERISTIC:
 CONTACT RESISTANCE: 30MΩ MAX
 DIELECTRIC WITHSTANDING VOLTAGE: 500V AC FOR 1MIN
 INSULATION RESISTANCE: 1000MΩ MIN

2. MECHANICAL CHARACTERISTIC:
 INSERTION FORCE: 35N(3.57KG) MAX
 EXTRACTON FORCE: 10~35N(1.02~3.57KG) MIN
 DIRABILITY: 1500 CYCLES EXTRACTON FORCE:10~35N
 5000 CYCLES MIN

3. ENVIRONMENTAL:
 OPERATING TEMPERATURE: -55°C+85°C

4. Contact finish:
 01:Selective Gold Flash
 02:Selective Gold 3U"
 03:Selective Gold 5U"
 04:Selective Gold 15U"
 05:Selective Gold 30U"



FRONT EDGE OF CONNECTOR
 PCB LAYOUT (T=1.60mm)

深圳市精拓金电子有限公司

产品图 PRODUCT CHART DWG 公差一览表 TOLERANCE UNLESS OTHERWISE		单位 UNITS MM		制图 DRAWING Z-Y-B		制图料号 PRODUCT PART NO. JTJ-USB-10.6-001	
X	±0.15	X	±5°	比例	1:1	日期	2012.09.24
XX	±0.10	X	±2°	日期		审核	
XX	±0.05	XX	±1°	日期		核准	
XXX	±0.03	.XXX	±0.5°	日期		APRD	