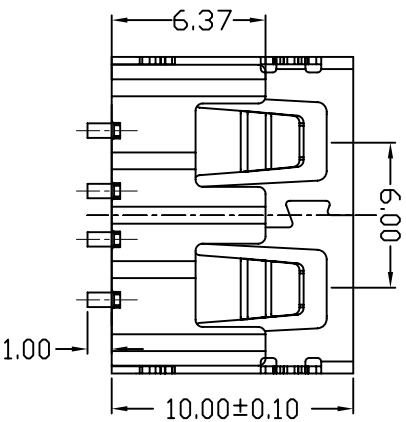
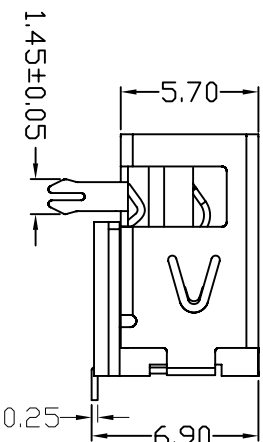
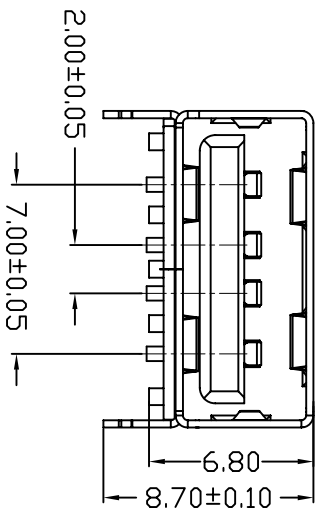
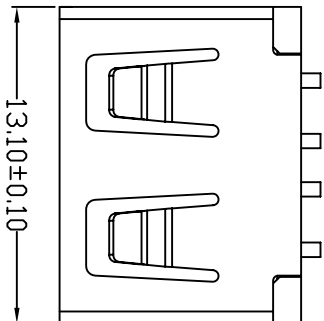


# D款, 反向10.0前两脚, SMT-\*6.80



MAPX	MODIFICATION	DATE
------	--------------	------

### NOTES:

1. HOUSING: SEE NOTES, UL94V-0 .  
TERMINAL: SEE NOTES.  
SHELL: SEE NOTES.

### SPECIFICATION:

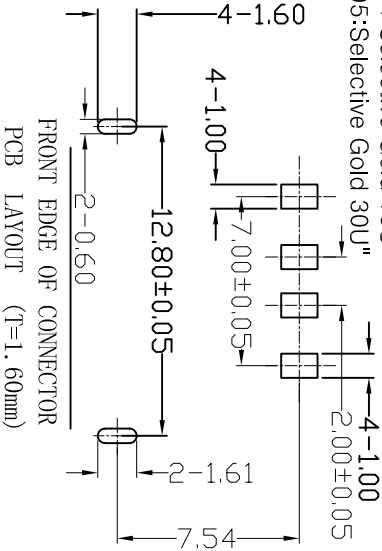
1. ELECTRICAL CHARACTERISTIC:  
CONTACT RESISTANCE: 30MΩ MAX  
DIELECTRIC WITHSTANDING VOLTAGE: 500V AC FOR 1MIN  
INSULATION RESISTANCE: 1000MΩ MIN
2. MECHANICAL CHARACTERISTIC:  
INSERTION FORCE: 35N(3.57KGF) MAX  
EXTRACTION FORCE: 10~35N(1.02~3.57KGF)/MIN  
DURABILITY: 1500 CYCLES EXTRACTION FORCE: 10~35N  
5000 CYCLES MIN

### 3. ENVIRONMENTAL:

OPERATING TEMPERATURE: -55°C+85°C

### 4. Contact finish:

- 01: Selective Gold Flash
- 02: Selective Gold 3U"
- 03: Selective Gold 5U"
- 04: Selective Gold 15U"
- 05: Selective Gold 30U"



### 产品图

## 深圳市精拓金电子有限公司

公差一览表		单位		制图		制图料号	
TOLERANCE UNLESS OTHERWISE	OTHERWISE	UNITS	MM	DRAWING	Z-Y-B	PRODUCT PART NO.	JTY-USB-10.0-002
X	±0.15	X	±5°	审核		产品名称	USB A/F 10.0无选前两脚鱼叉(方弹)
X	±0.10	X	±2°	CHKD		PRODUCT NO.	
XX	±0.05	XX	±1°	核准		角法	
XXX	±0.03	XXX	±0.5°	APRD		VER	AD
DATE	2012/09/24	日期				版本	

