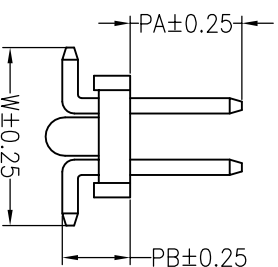
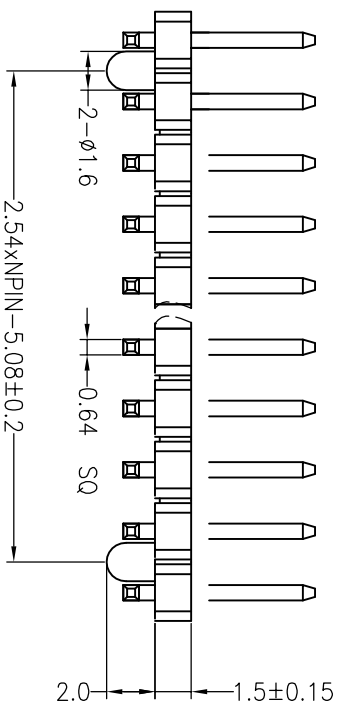
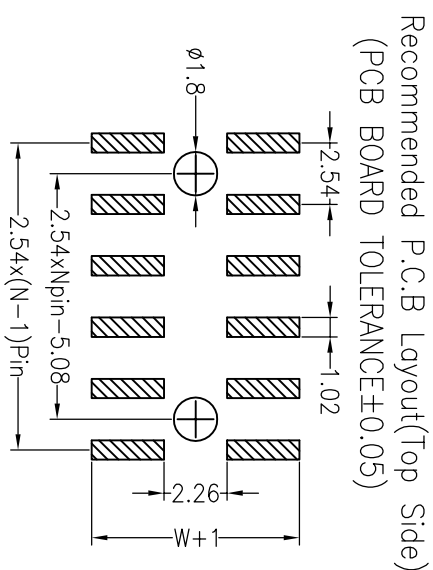
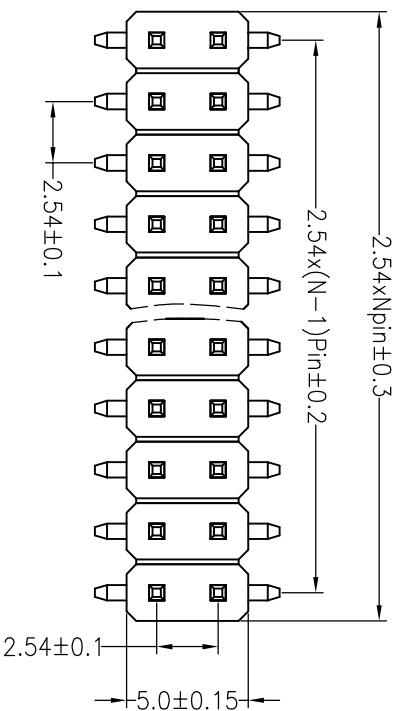


# RoHS

## SPECIFICATIONS

Rated Current: 3.0AMP  
 Contact Resistance: 20mΩ Max  
 Withstand Voltage: 1000V AC/DC  
 Insulation Resistance: 1000MΩ Min  
 Operation Temperature: -40°C to +105°C  
 Contact Material: Brass  
 Contact Plating: Au Over Ni  
 Insulator Material: Polyester (UL94V-0)  
 Standard: PAGT  
 Max. Processing Temp: 230°C for 30-60 seconds  
 (260°C for 5 seconds)



W = With Post

Dimension antitheses list			
ITEM	PA	PB	W
Standard	3.80	2.54	8.00
Alternate			

## 深圳市连盛精密连接器有限公司

PART NO. PH-00720

TITLE: 2.54PH 2x20pin H1.5mm SMT

OPERATION		DRAW		SCALE		FIT																			
X.X	±0.30			UNIT	mm																				
X.XX	±0.20	CHECK		SIZE	A4																				
X.XXX	±0.10			SHEET	1/1																				
Angle	±3°	APPROVE		PROJ.	☐																				
DIM	TOL																								
<table border="1"> <thead> <tr> <th>REV</th> <th>DATE</th> <th>MODIFICATION DESCRIPTION</th> <th>CHANGE</th> </tr> </thead> <tbody> <tr> <td>A0</td> <td>2012.04.11</td> <td>NEW DRAWING</td> <td></td> </tr> </tbody> </table>								REV	DATE	MODIFICATION DESCRIPTION	CHANGE	A0	2012.04.11	NEW DRAWING											
REV	DATE	MODIFICATION DESCRIPTION	CHANGE																						
A0	2012.04.11	NEW DRAWING																							
<table border="1"> <thead> <tr> <th>1</th> <th>2</th> <th>3</th> <th>4</th> <th>5</th> <th>6</th> <th>7</th> <th>8</th> <th>9</th> </tr> </thead> <tbody> <tr> <td></td> <td></td> <td></td> <td></td> <td></td> <td></td> <td></td> <td></td> <td></td> </tr> </tbody> </table>								1	2	3	4	5	6	7	8	9									
1	2	3	4	5	6	7	8	9																	