

|               |                       |              |              |
|---------------|-----------------------|--------------|--------------|
| REV.<br>(版本号) | DESCRIPTION<br>(变更说明) | DATE<br>(日期) | APPD<br>(核准) |
| A0            | 新订图面                  |              |              |

**SPECIFICATIONS:**

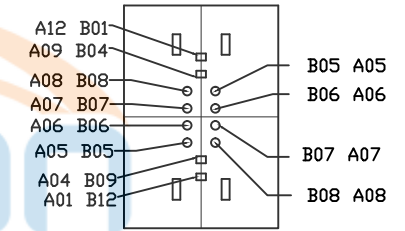
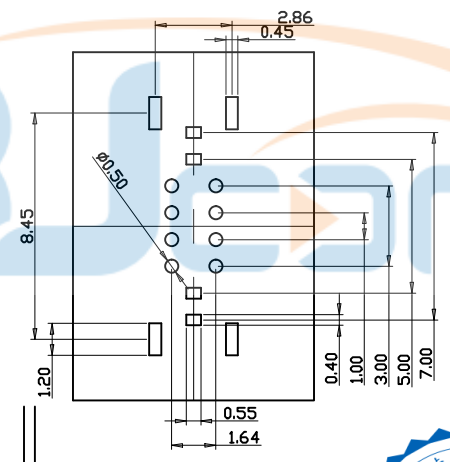
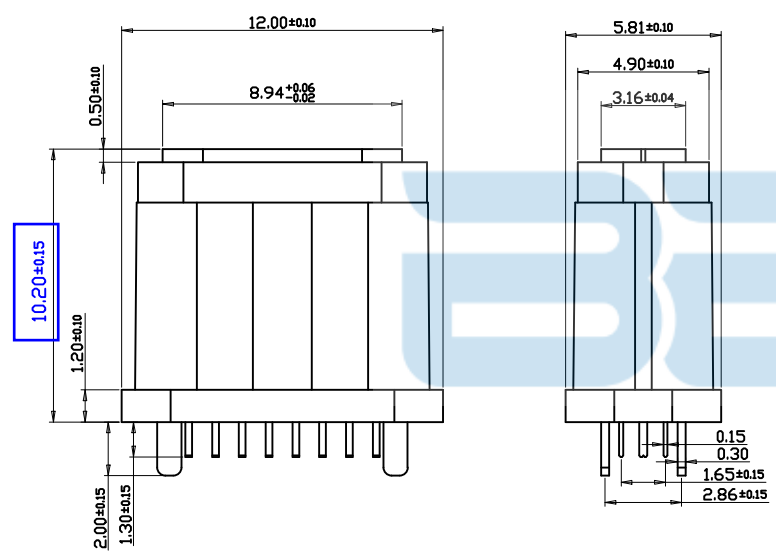
**1. ELECTRICAL CHARACTERISTICS:**

1-1. CONTACT RESISTANCE: 30mΩ MAX.  
 1-2. DIELECTRIC WITHSTANDING VOLTAGE: 100V AC FOR ONE MINUTE.  
 1-3. INSULATION RESISTANCE: 100MΩ MIN. MEASURED BY 500 VDC

**2. MECHANICAL CHARACTERISTICS:**

2-1. INSERTION FORCE :0.5-2.0KgF(REF.)  
 2-2. WITHDRAWAL FORCE :0.8-2.0KgF(REF.)

**3. LIFE TEST: 10,000 CYCLES.**



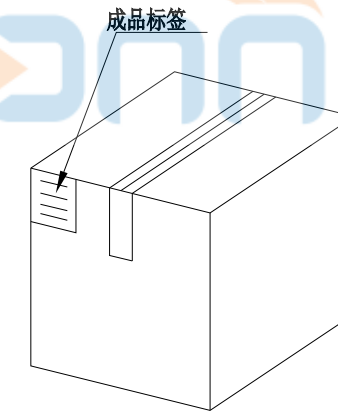
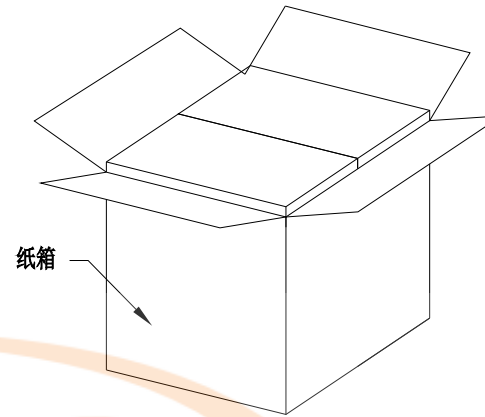
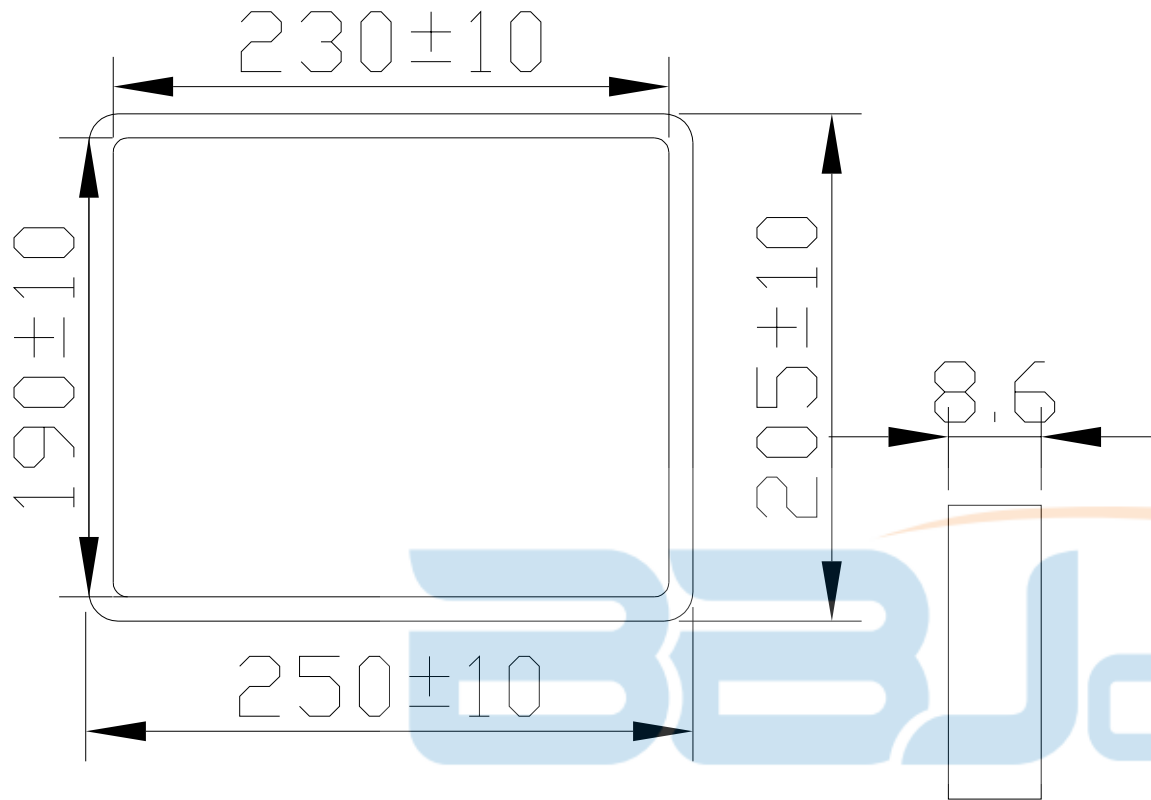
RECOMMENDED P.C.B. LAYOUT (T:1.00mm)  
 TOLERANCE UNSPECIFIED ±0.05mm



|     |             |     |             |
|-----|-------------|-----|-------------|
| A1  | GND         | B12 | GND         |
| A4  | VBUS        | B9  | VBUS        |
| A5  | CC1         | B8  | SBUS2       |
| A6  | DP1         | B7  | DN2         |
| A7  | DN1         | B6  | DP2         |
| A8  | SBUS1       | B5  | CC2         |
| A9  | VBUS        | B4  | VBUS        |
| A12 | GND         | B1  | GND         |
| PIN | SIGNAL NAME | PIN | SIGNAL NAME |

|     |                 |                          |              |      |
|-----|-----------------|--------------------------|--------------|------|
| 6   | SHELL           | STAINLESS STEEL          | NI Plated    | 1PCS |
| 5   | SHIELDING PLATE | STAINLESS STEEL          | ---          | 1PCS |
| 4   | MD              | HIGH TEMPERATURE PLASTIC | BLACK        | 1PCS |
| 3   | CONTACT         | COPPER ALLOY             | Au/Ni Plated | 1SET |
| 2   | CONTACT         | COPPER ALLOY             | Au/Ni Plated | 1SET |
| 1   | HOUSING         | HIGH TEMPERATURE PLASTIC | BLACK        | 1PCS |
| NO. | DESCRIPTION     | MATERIAL                 | REMARKS      | QTY  |

|   |  |                            |               |
|---|--|----------------------------|---------------|
| <b>深圳市步步精科技有限公司</b><br>品名(TITLE) TYPE-C 16P 防水母座180度H=10.2全插IP67<br>料号(PARTNO) UC.01.61-1J-0001<br>0395-1 |  | 页码(SHEET)                  | 单位(UNIT): MM  |
|   |  | 版本(REV) A0                 | 比例(SCALE) 1:1 |
| 设计(DESIGN) HMY  |  | 未注公差 TOLERANCE UNSPECIFIED |               |
| 审核(CHECKED) LYX   |  | X.X ±0.30                  |               |
| 核准(APPROVED) LJP  |  | X.XX ±0.20                 |               |
|   |  | X.XXX ±0.10                |               |
|   |  | X° ±5°                     |               |
|   |  | X.X° ±2°                   |               |



纸箱规格：350\*210\*290

1. 包装要求：
  - 1.1 每盒吸塑盒包装130pcs；
  - 1.2 每20盘放一箱，共计2600PCS；
  - 1.3 纸箱外贴上标签

## 深圳市步步精科技有限公司



| 公差对照表   |      | 视角       | 批准 | LJP | TITLE:<br>TYPE-C 16P 防水母座180度H=10.2全插1P67 |
|---------|------|----------|----|-----|---|
| 尺寸范围    | 公差范围 |          |    |     |   |
| 0~10    | ±0.1 | [Symbol] | 审核 | YJF | PART.NO: UC.01.61-1J-0001                 |
| 10~20   | ±0.2 |          |    |     |   |
| 20~40   | ±0.3 | 比例       | 设计 | HMY | 0395-1                                    |
| 40~60   | ±0.5 |          |    |     |   |
| 60~80   | ±0.5 |          |    |     |   |
| 80~100  | ±1   |          |    |     |   |
| 120~140 | ±1.5 |          |    |     |   |