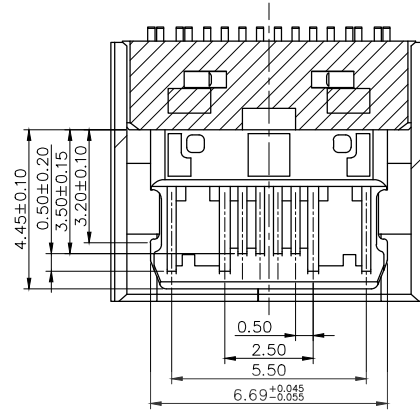
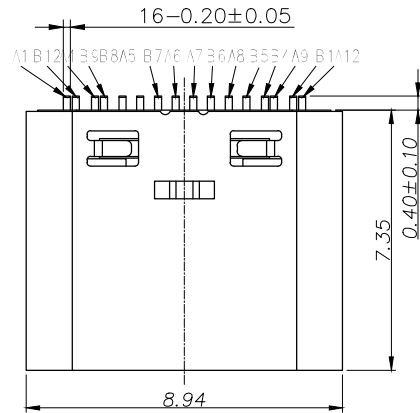


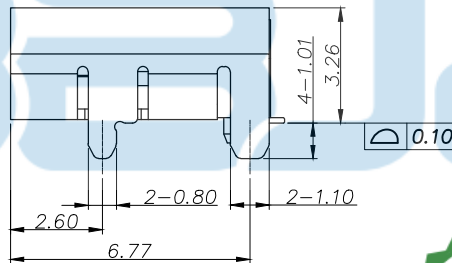
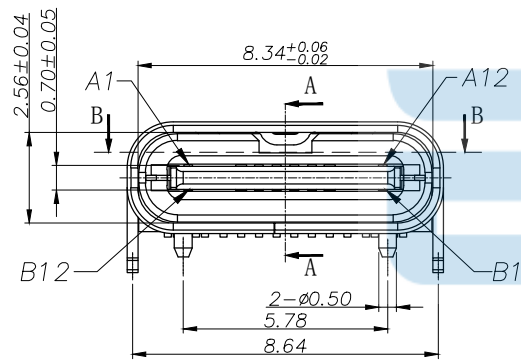


NOTE:

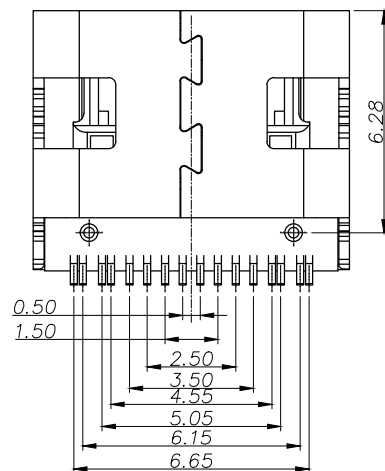
1. MATERIAL SPECIFICATION:
  1. HOUSING: HIGH TEMPERATURE RESISTANT PLASTIC, UL94 V-0.
  2. CONTACTS: COPPER ALLOY
  3. MID PLATE: STAINLESS STEEL
2. PLATING SPECIFICATION:
  - 2-1. CONTACTS:
    - Ni 50u" MIN. UNDER PLATED OVER ALL.
    - Au PLATED ON THE FUNCTIONAL AREA OF CONTACT.
    - (GOLD PLATING THICKNESS FOLLOW THE P/N)
    - GOLD FLASH PLATING ON SOLDER AREA
  - 2-2. FRONT SHELL:
    - Ni 30u" MIN. UNDER PLATED OVER ALL.
3. MECHANICAL PERFORMANCE,
  - 3-1. INSERTION FORCE: 0.5~2.0kgf.
  - 3-2. REMOVAL FORCE: 0.8kgf~2.0kgf.
  - 3-3. DURABILITY: 10000 CYCLES.
4. ELECTRICAL PERFORMANCE,
  - 4-1. CURRENT RATING: 5A  
VOLTAGE RATING: 20V
  - 4-2. INSULATION RESISTANCE: 100MΩ MIN
  - 4-3. DIELECTRIC WITHSTAND VOLTAGE, AC 100V FOR 1 MINUTE.
5. ENVIRONMENTAL PERFORMANCE:
  - OPERATING TEMPERATURE: -30°C~+80°C.
6. IR REFLOW:
  - THE PEAK TEMPERATURE ON THE BOARD SHALL BE MAINTAINED FOR 10 SECONDS AT 260°C.



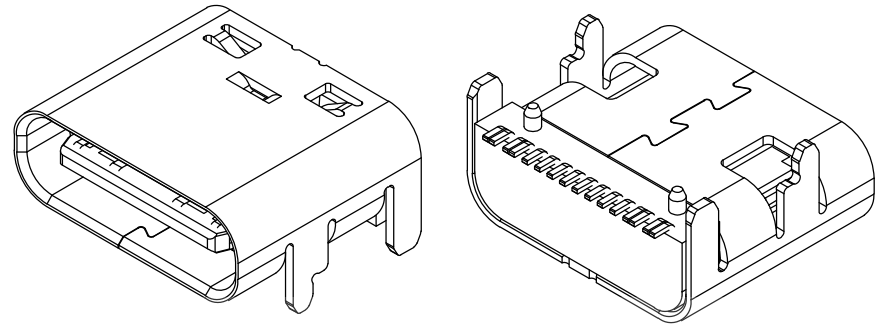
SECTION B-B  
SCALE 1:1



SECTION A-A  
SCALE 1:1

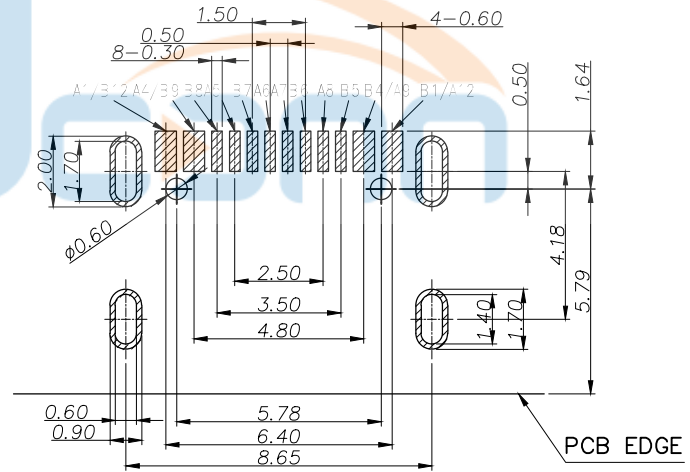


TOLERANCE UNSPECIFIED		深圳市步步精科技有限公司 TITLE: TYPE C 16pin 母座L=7.35 板上 一体式 铜合金端子 (5A) CH1.67			
.0	±0.35				
.00	±0.25	DRAWN/ DATE		HMY	
.000	±0.15	CHECKED/ DATE		LYX	
X.°	±2.00°	APPROVED/ DATE		LJP	
CUSTOMER DRAWING		SIZE: A4	UNIT: MM.	PART. NO: UC. 01.51-11-0020	
		SCALE: 1:1		PROJECTION	REV.: 版本
		DWG. PATH		0100-2	SHEET: 页码



USB TYPE-C PIN ASSIGNMENTS

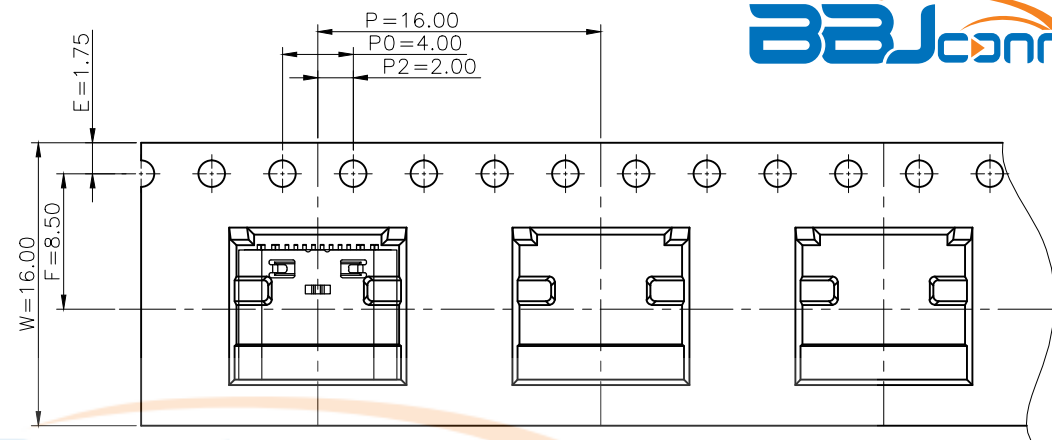
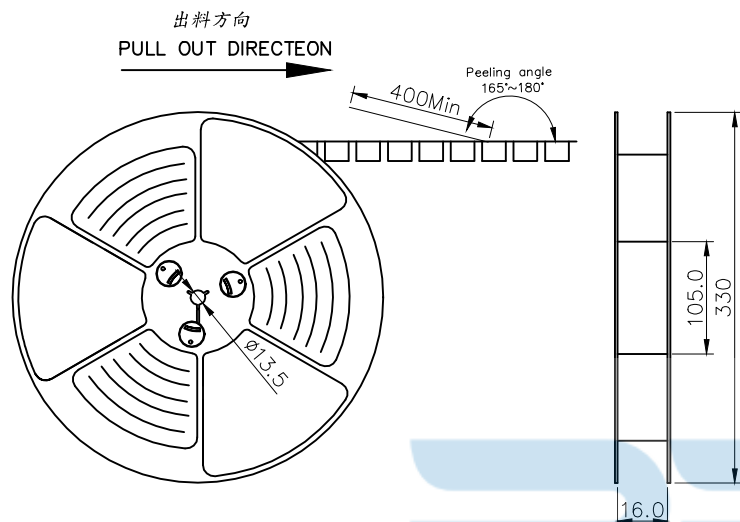
PIN NUMBER	SIGNAL NAME	PIN NUMBER	SIGNAL NAME
A1	GND	B12	GND
A4	VBUS	B9	VBUS
A5	CC1	B8	SBU2
A6	Dp1	B7	Dn2
A7	Dn1	B6	Dp2
A8	SBU1	B5	CC2
A9	VBUS	B4	VBUS
A12	GND	B1	GND



RECOMMEND P.C.B LAYOUT (COMPONENT SIDE)  
TOLERANCE FOR PCB LAYOUT IS  $\pm 0.05$



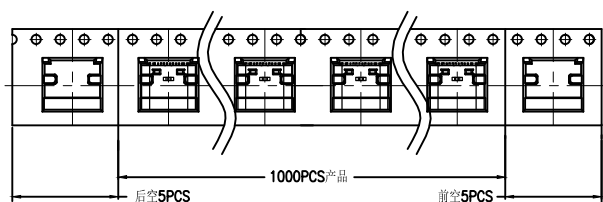
TOLERANCE UNSPECIFIED		深圳市步步精科技有限公司 TITLE: TYPE C 16pin 母座L=7.35 板上 一体式 铜合金端子 (5A) CH1.67					
.0	$\pm 0.35$						
.00	$\pm 0.25$	DRAWN/ DATE	HMY	SIZE: A4	UNIT: MM.	PART. NO:	UC. 01. 51-11-0020
.000	$\pm 0.15$	CHECKED/ DATE	LYX	SCALE: 1:1	PROJECTION	REV.:	版本
X.°	$\pm 2.00^{\circ}$	APPROVED/ DATE	LJP	DWG. PATH	0100-2	SHEET:	页码
CUSTOMER DRAWING							



**NOTES**

1. 帶子引導長度  
**LEAD TAPE LENGTH**

出料方向  
**PULL OUT DIRECTEON**



2. 上帶 剝力力為: 0.1~1.3N(10.2gf~130gf)  
**PEELING OFF FORCE OF TOP TAPE: 0.1~1.3N(10.2gf~130gf)**

出貨運輸過程中一定注意:  
**THIS REQUIREMENT SHOULD BE APPLIED AT SHIPMENT:**  
卷帶在運輸過程中不能散開  
**PEELING OFF SHOULD NOT BE ALLOWED DURING TRANSPORTATION**

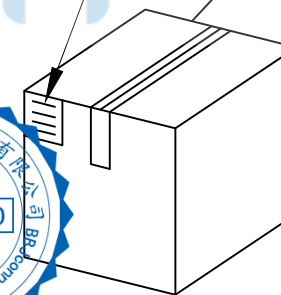
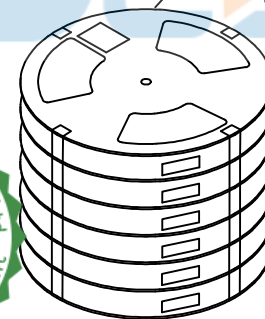
**TAPE & REEL 10 PCS**

1 REEL  
= 1000 PCS

**BOX**

**DIMENSIONS:**  
33.5X33.5X30.5

1 CARTON  
= 10 REELS  
= 10000 PCS



TOLERANCE UNSPECIFIED	
.0	±0.35
.00	±0.25
.000	±0.15
X. °	±2.00°
CUSTOMER DRAWING	

**深圳市步步精科技有限公司**

TITLE: TYPE C 16pin 母座L=7.35 板上 一体式 铜合金端子 (5A) CH1.67

**包裝明細表** (The detail of the packing) Carton

產品料號 (Product No.)	包裝容量 (Packing Capacity)			重量 Weight (Kg)		
	pcs/box	boxs/Carton	Pcs/Box	N.W./Pcs	N.W./Box	G.W./Box
	1000	10	10000	----	----	----

DRAWN/ DATE	HMY	SIZE:A4	UNIT:MM.	PART. NO:	UC.01.51-11-0020
CHECKED/ DATE	LYX	SCALE: 1:1	PROJECTION	REV.: 版本	
APPROVED/ DATE	LJP	DWG. PATH		0100-2	SHEET: 页码