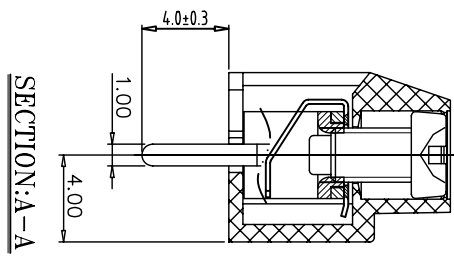
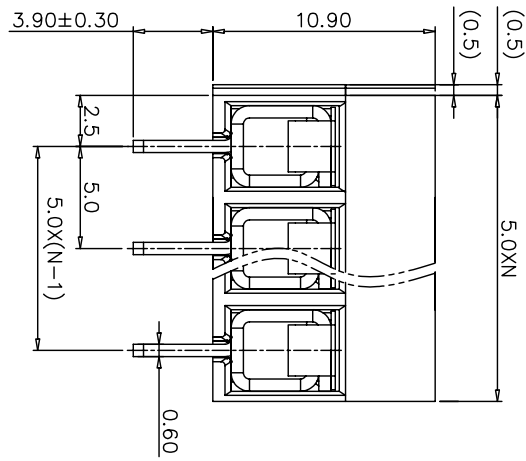
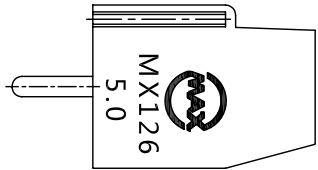
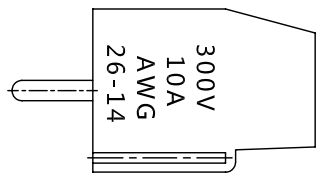
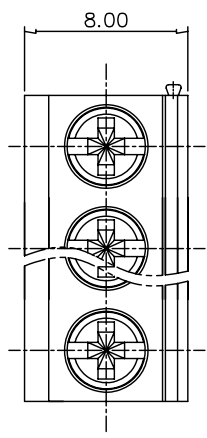
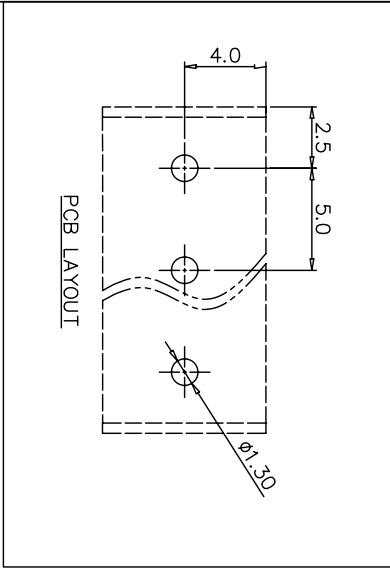


| REVISIONS | | | | |
|-----------|-----|-------------|------|----------|
| ZONE | REV | DESCRIPTION | DATE | APPROVED |
| | | | | |



- NOTES1:
 UL Standard
 1. Rated voltage/current : 300V / 10A
 2. Torque value : M2.6 , 3.01~3.54lb.in
 3. Wire range : 26~14AWG
- IEC Standard
 1. Rated voltage/current : 250V / 18A
 2. Torque value : M2.6 , 0.34~0.40N.m
 3. Wire range : 0.5~2.5mm²
- NOTES2:
 1. Dimension shall be interpreted per
 2. Pitch : 5.0mm, Poles : N=2~XXP
 3. Stripping length: 5~6mm
 3. Withstanding voltage : AC2000V/1min
 4. Operating temperature: -40°C~+105°C
 5. Undimensioned tolerances:

| Total Pitch Tolerances | | | | | | | | | | | | Nominal dimension range | | | | | | | | | | | |
|------------------------|-------|-------|------|-------|-------|-------|-------|-------|-------|-------|-------|-------------------------|-------|-------|-------|-------|-------|-----|-----|-----|-----|-----|-----|
| over | 0 | to | 30 | 53 | 70 | 90 | 115 | 150 | 250 | 350 | 500 | over | 0 | to | 30 | 53 | 70 | 90 | 115 | 150 | 200 | 250 | 320 |
| 0 | 30 | 53 | 70 | 90 | 115 | 150 | 250 | 350 | 500 | to | to | to | to | to | to | to | to | to | to | to | to | to | to |
| ±0.18 | ±0.20 | ±0.25 | ±0.3 | ±0.35 | ±0.44 | ±0.60 | ±0.70 | ±0.85 | ±0.20 | ±0.25 | ±0.30 | ±0.35 | ±0.44 | ±0.55 | ±0.70 | ±0.80 | ±0.90 | 0.2 | 0.3 | 0.3 | 0.2 | 0.3 | 0.5 |



THIRD ANGLE PROJECTION

MX126V-5.0-XXP-XC

MAXU 慈溪市迈旭电子有限公司
 Cixi Maixu Electronics Co., Ltd.

| | | | | | |
|-------|---|-----------|----------------------|---------|-----|
| CHKD: | / | SIZE | FSQM NO. | DWG NO. | REV |
| DRFT: | / | MM (INCH) | DO NOT SCALE DRAWING | SHEET | |