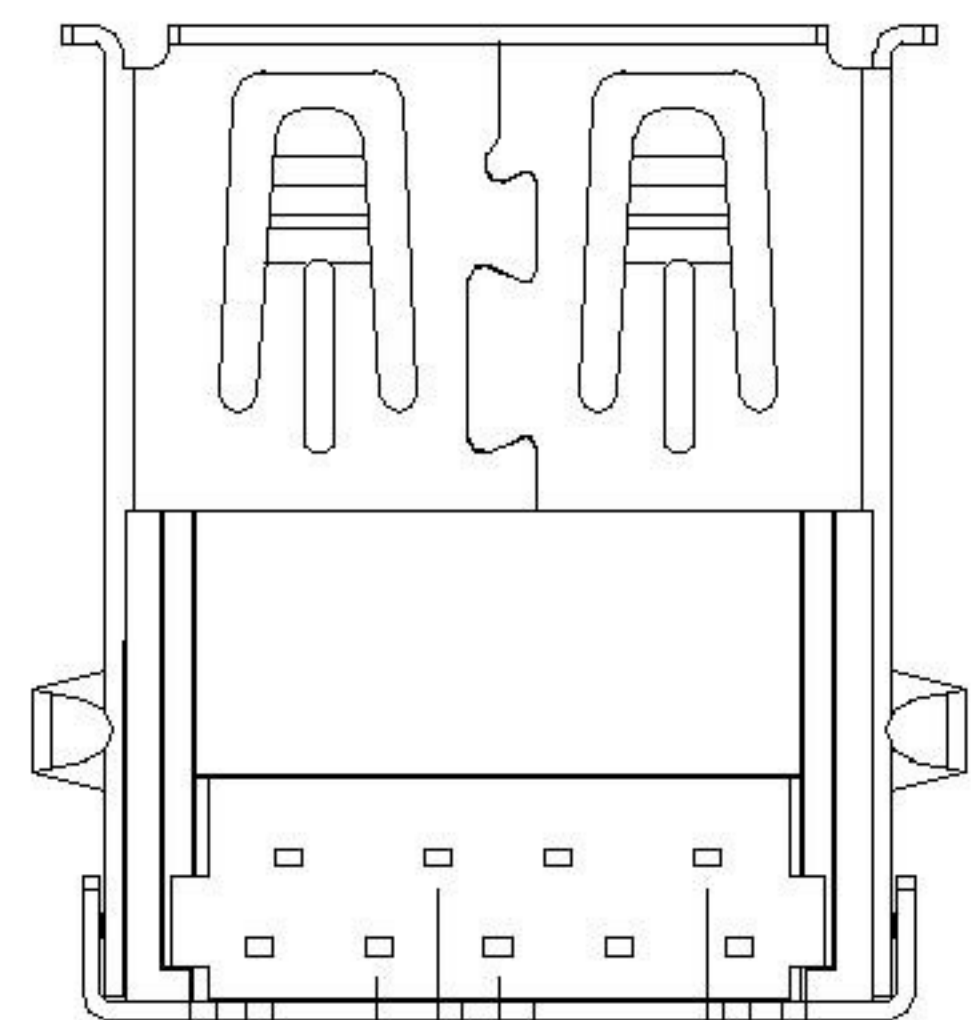


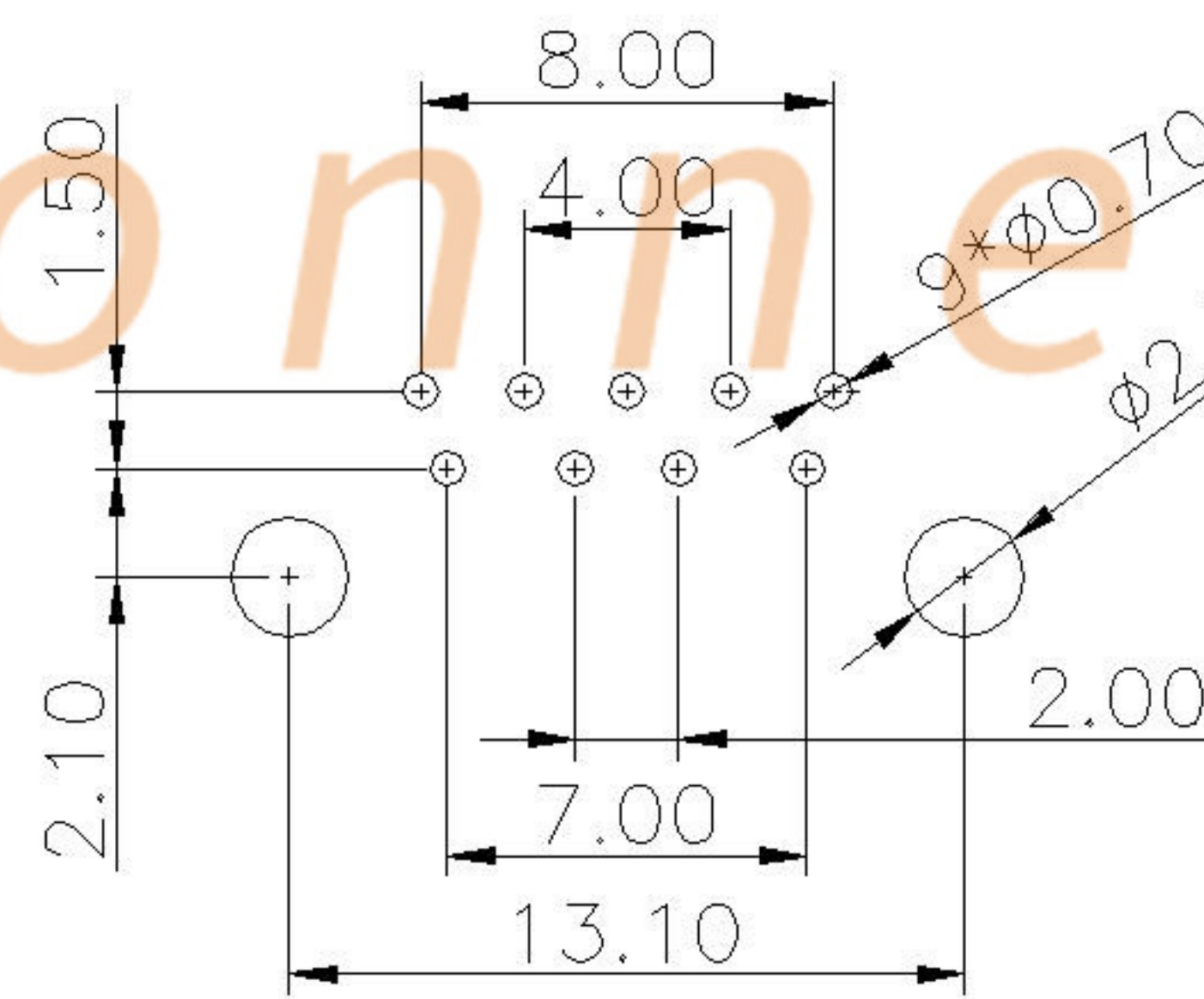
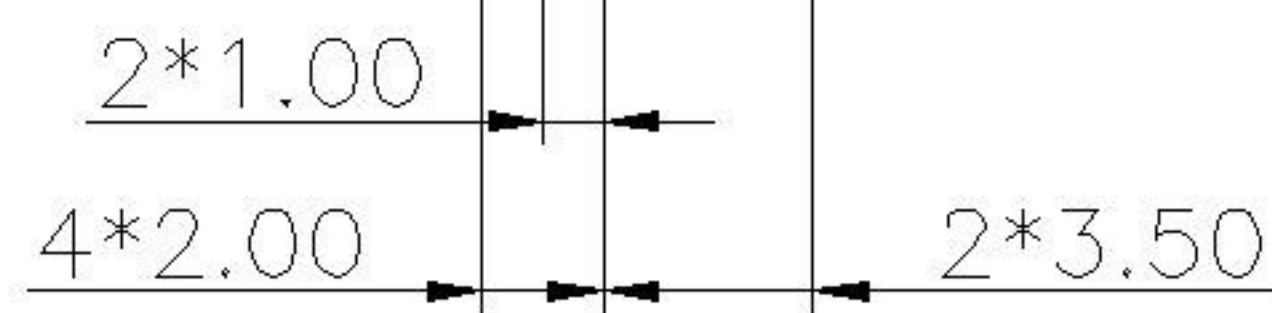
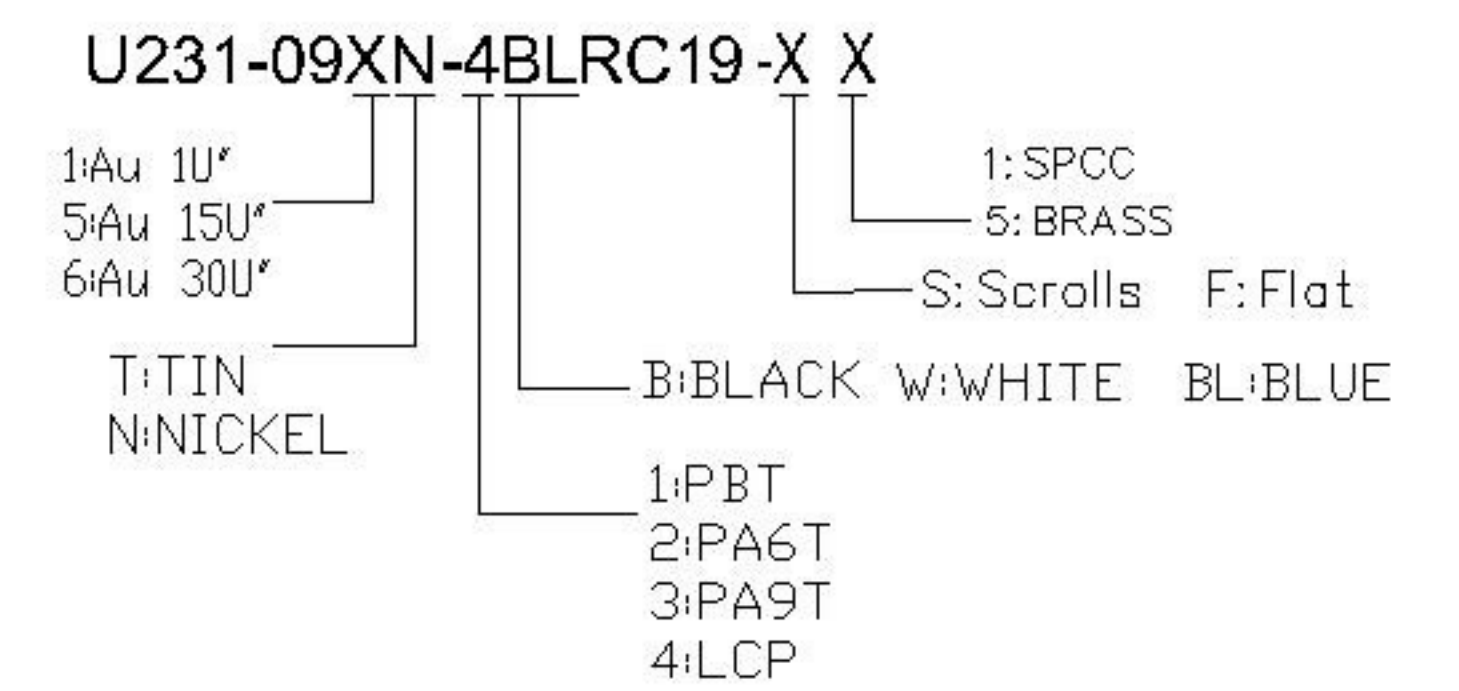
Flat (F)



Scrolls (S)

Pin #	SIGNAL NAME	DESCRIPTION	MATING SEQUENCE
1	VBUS	POWER	SECOND
2	D-	USB 2.0 DIFFERENTIAL PAIR	THIRD
3	D+		
4	GND	GROUND FOR POWER RETURN	SECOND
5	Std_A_SSRX-	SUPERSPEED RECEIVER DIFFERENTIAL PAIR	LAST
6	Std_A_SSRX+		
7	GND_DRAIN	GROUND FOR SIGNAL RETURN	
8	Std_A_SSTX-	SUPERSPEED TRANSMITTER DIFFERENTIAL PAIR	
9	Std_A_SSTX+		
Shell	Shield	CONNECTOR METAL SHELL	FIRST

Material
Housing Material: LCP, UL94V-0, blue
Contact Terminal: Copper Alloy
Metallic Shell: SPCC
Plating
Underplating: Nickel
Contact Plating: 1μ" Gold
Solder Tail: 100μ" Min. Tin
Metallic Shell: Nickel
Electrical
Voltage Rating: 100 V AC
Current Rating: 0.25A (Signal pins 2,3,5,6,7,8,9) 1.8A (Power Pins 1,4)
Contact Resistance: 30mΩ Max.
Insulation resistance: 1000MΩ Min.
Dielectric withstanding voltage: 100V AC/Minute
Mechanical
Durability: 5000 cycles
Mating Force: 35N (3.57Kgf) Max
Unmating Force: 10N (1.02Kgf) Min. initial, 8N min after test
Environmental and Processing
Operating Temperature: -40°C to +85°C



P C B

MARK	DESCRIPTION	DATE	REVISED	APPROVED	UNSPECIFIED TOLERANCES	DSND	DATE	SCALE: N/A	MODEL TYPE: USB 3.0
ΔX					ANGLAR ±5°	DWN	DATE	VIEW:	PART NO.:
ΔX					L ≤ 4 ±0.2	CHKD	DATE	UNIT: mm	DWG NO.:
ΔX					4 < L ≤ 16 ±0.3	APPD	DATE	SIZE: A4	U231-09XN-XBLRC19-XX
					16 < L ≤ 63 ±0.4				WEIGHT
					L > 63 ±0.5				SHEET
REVISIONS						KKB INDUSTRIAL PRECISION CO., LIMITED			REVISION
www.xk-dg.cn www.helloxkb.com www.helloxkb.cn									1.0g
									1/1
									A0