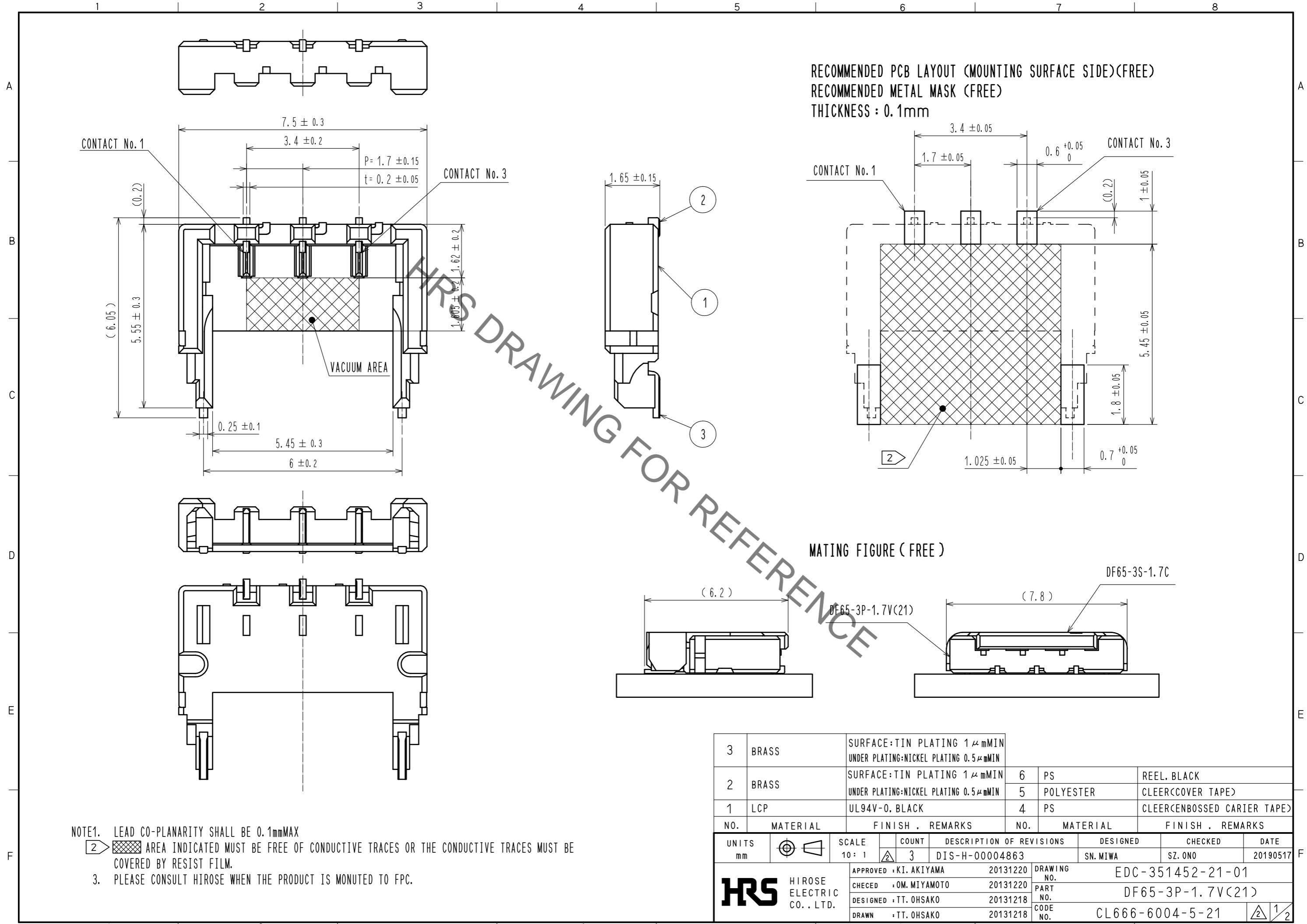


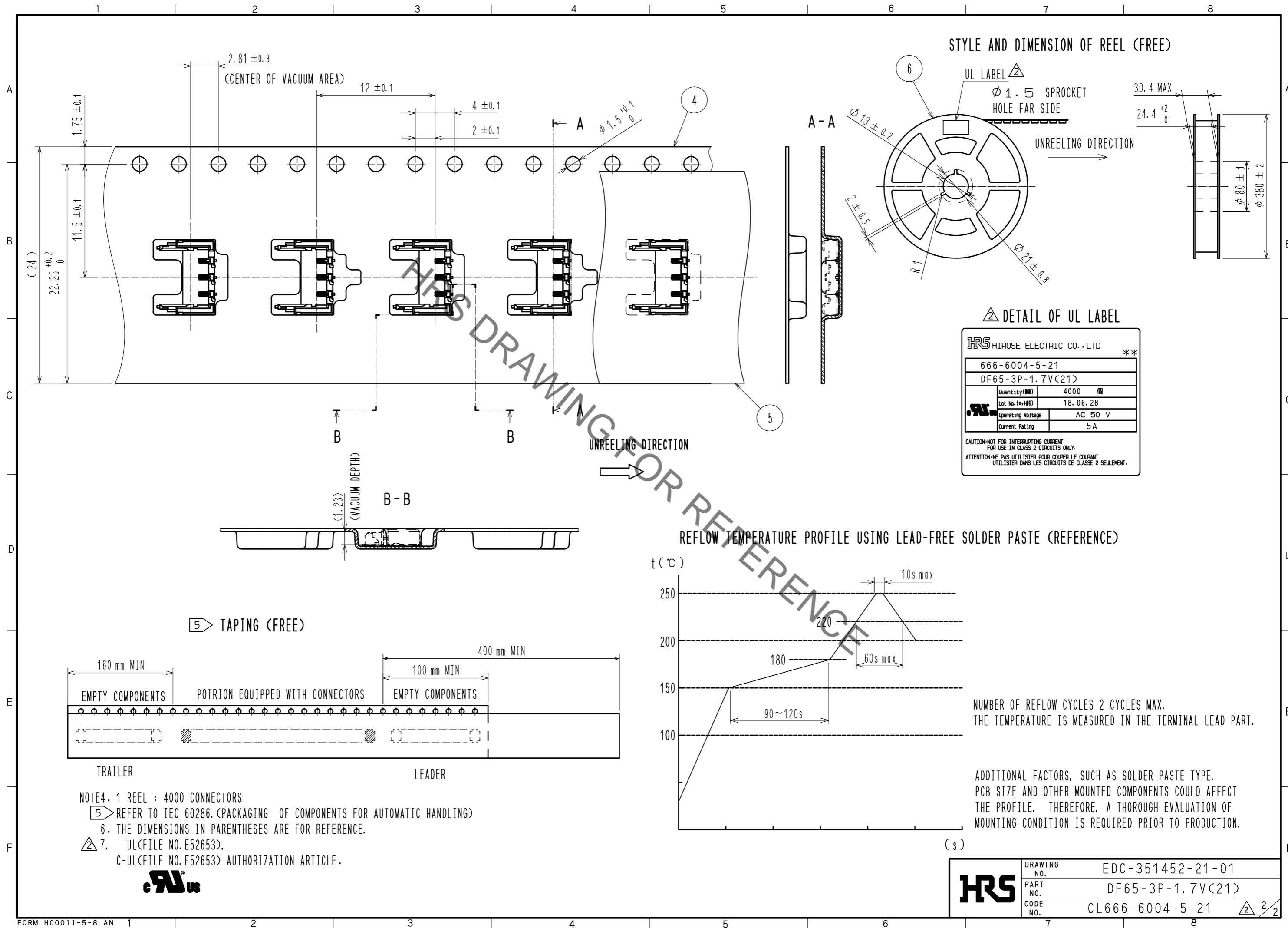
Jul.1.2019 Copyright 2019 HIROSE ELECTRIC CO., LTD. All Rights Reserved.
 In case of consideration for using Automotive equipment / device which demand high reliability, kindly contact our sales window correspondents.



NOTE1. LEAD CO-PLANARITY SHALL BE 0.1mmMAX
 2. AREA INDICATED MUST BE FREE OF CONDUCTIVE TRACES OR THE CONDUCTIVE TRACES MUST BE COVERED BY RESIST FILM.
 3. PLEASE CONSULT HIROSE WHEN THE PRODUCT IS MOUNTED TO FPC.

| 3 | BRASS | SURFACE:TIN PLATING 1μmMIN UNDER PLATING:NICKEL PLATING 0.5μmMIN | | | |
|---------------------------------|----------|---|------------------------------|-----------|-------------------------------|
| 2 | BRASS | SURFACE:TIN PLATING 1μmMIN UNDER PLATING:NICKEL PLATING 0.5μmMIN | 6 | PS | REEL. BLACK |
| 1 | LCP | UL94V-0. BLACK | 5 | POLYESTER | CLEER(COVER TAPE) |
| | | | 4 | PS | CLEER(CENBOSSED CARRIER TAPE) |
| NO. | MATERIAL | FINISH . REMARKS | NO. | MATERIAL | FINISH . REMARKS |
| UNITS | mm | SCALE | 10 : 1 | COUNT | 3 |
| DESCRIPTION OF REVISIONS | | | DESIGNED | CHECKED | DATE |
| DIS-H-00004863 | | | SN. MIWA | SZ. ONO | 20190517 |
| APPROVED : KI. AKIYAMA 20131220 | | | DRAWING NO. EDC-351452-21-01 | | |
| CHECKED : OM. MIYAMOTO 20131220 | | | PART NO. DF65-3P-1.7V(21) | | |
| DESIGNED : TT. OHSAKO 20131218 | | | CODE NO. CL666-6004-5-21 | | |
| DRAWN : TT. OHSAKO 20131218 | | | 1/2 | | |

Jul.1.2019 Copyright 2019 HIROSE ELECTRIC CO., LTD. All Rights Reserved.
 In case of consideration for using Automotive equipment / device which demand high reliability, kindly contact our sales window correspondents.



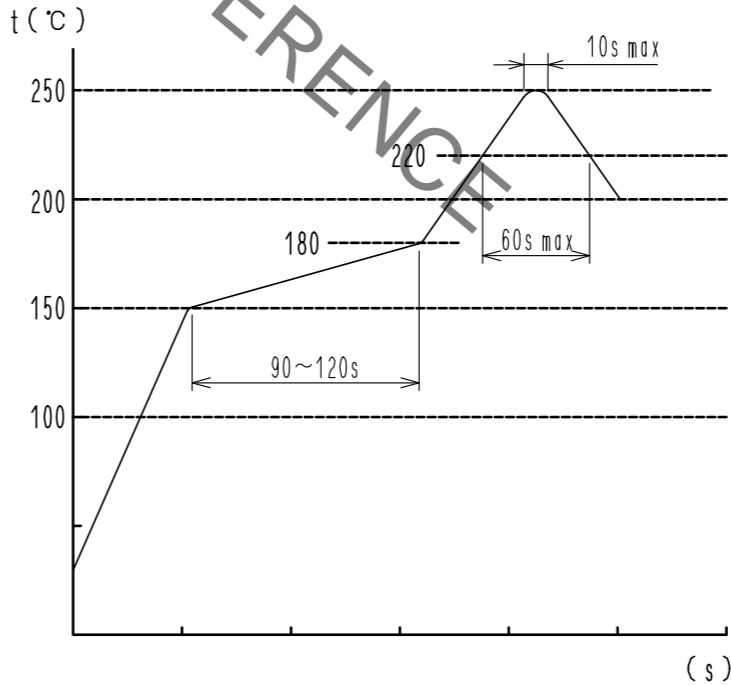
STYLE AND DIMENSION OF REEL (FREE)

DETAIL OF UL LABEL

| | |
|------------------------------|----------|
| HRS HIROSE ELECTRIC CO., LTD | |
| 666-6004-5-21 | |
| DF65-3P-1.7V<21> | |
| Quantity (個) | 4000 個 |
| Lot No. (年月日) | 18.06.28 |
| Operating Voltage | AC 50 V |
| Current Rating | 5 A |

CAUTION: NOT FOR INTERRUPTING CURRENT.
 FOR USE IN CLASS 2 CIRCUITS ONLY.
 ATTENTION: NE PAS UTILISER POUR COUPER LE COURANT
 UTILISER DANS LES CIRCUITS DE CLASSE 2 SEULEMENT.

REFLOW TEMPERATURE PROFILE USING LEAD-FREE SOLDER PASTE (REFERENCE)



NUMBER OF REFLOW CYCLES 2 CYCLES MAX.
 THE TEMPERATURE IS MEASURED IN THE TERMINAL LEAD PART.

ADDITIONAL FACTORS, SUCH AS SOLDER PASTE TYPE,
 PCB SIZE AND OTHER MOUNTED COMPONENTS COULD AFFECT
 THE PROFILE. THEREFORE, A THOROUGH EVALUATION OF
 MOUNTING CONDITION IS REQUIRED PRIOR TO PRODUCTION.

- NOTE 4. 1 REEL : 4000 CONNECTORS
 5 REFER TO IEC 60286. (PACKAGING OF COMPONENTS FOR AUTOMATIC HANDLING)
 6. THE DIMENSIONS IN PARENTHESES ARE FOR REFERENCE.
 7. UL (FILE NO. E52653).
 C-UL (FILE NO. E52653) AUTHORIZATION ARTICLE.



| | | |
|------------|-------------|------------------|
| HRS | DRAWING NO. | EDC-351452-21-01 |
| | PART NO. | DF65-3P-1.7V<21> |
| | CODE NO. | CL666-6004-5-21 |
| | | 2/2 |