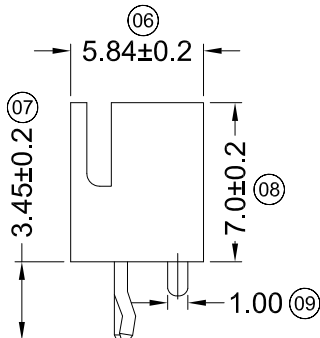
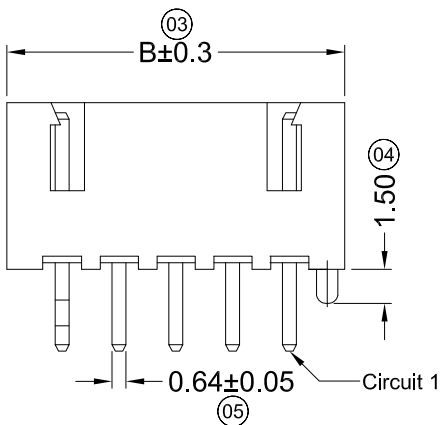


**Specifications :**

- Voltage rating: 250V AC / DC
- Current rating: 3A AC / DC
- Withstanding voltage: 1000V AC/minute
- Temperature range: -25°C~+85°C
- Insulation resistance: ≥1000MΩ
- Contact resistance: ≤10mΩ
- After environmental testing: ≤20mΩ

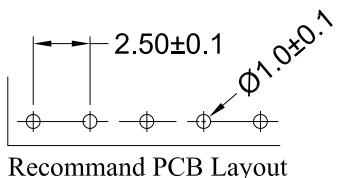


X8821 W V X-XX KS -N0 SN XX

① ② ③ ④ ⑤ ⑥ ⑦ ⑧ ⑨

- ① Series No.
- ② Category: W-WAFER
- ③ Welding Board Angle: V-180° ; R-90°
- ④ Welding Way: Blank-DIP ; S-SMT
- ⑤ Row No.-Pin No.: XX-Single Row ; 2\*XX-Double Row
- ⑥ Plug the Pin & Special No.: Blank- Without Kink ; K-With Kink  
S-With Post
- ⑦ Material: N0 -PA66 94V-0
- ⑧ Plating Category: G\*\*-Gold Plated Contact  
V\*\*- All Gold-Plated  
01-Gold Flash 02-2u" 03-3u"  
05-5u" 10-10u" 15-15u"  
SN-Bright Tin Plating (70u")  
SN1-Bright Tin Plating (120u" Min).  
0-No Plating Material  
SW- Fog Tin Plating  
HS-Hight temperature Tin
- ⑨ Color : Blank-Natural Color ;

Poles	Dimensions (mm)	
	A	B
02	2.50	7.50
03	5.00	10.00
04	7.50	12.50
05	10.00	15.00
06	12.50	17.50
07	15.00	20.00
08	17.50	22.50
09	20.00	25.00
10	22.50	27.50
11	25.00	30.00
12	27.50	32.50
13	30.00	35.00
14	32.50	37.50
15	35.00	40.00
16	37.50	42.50
17	40.00	45.00
18	42.50	47.50
19	45.00	50.00
20	47.50	52.50



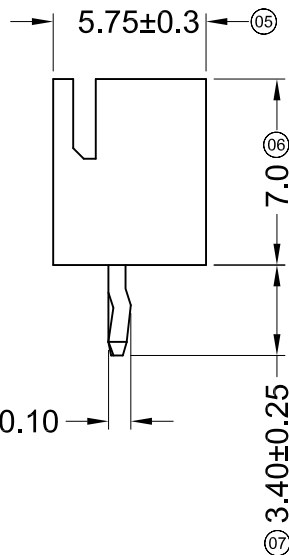
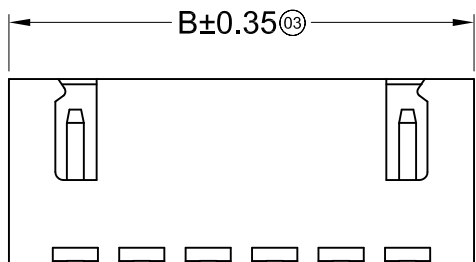
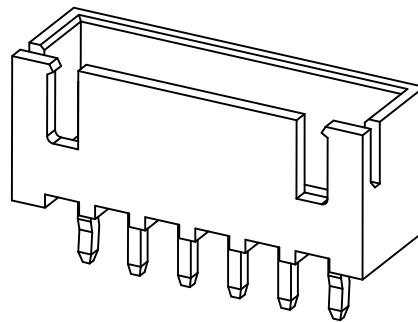
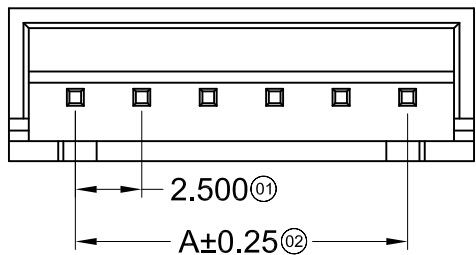
X8821WV-XXKS-N0SN	Nylon 66 UL 94V-0	Brass	Tin-Plated	X8821H
PART NO	Material	Material(Pin)	Finish(Pin)	Suitable XKB Terminal

For and on behalf of  
**XKB INDUSTRIAL PRECISION CO., LIMITED**  
 香港星坤工業精密有限公司

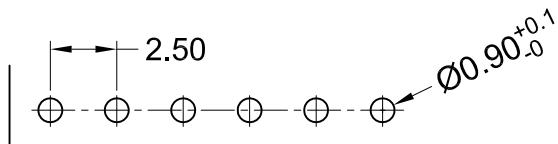
Authorized Signature(s)

DSND	DATE	SCALE: N/A	MODEL TYPE: X8821WV-XXKS-N0SN
DWN	DATE	VIEW:	PART NO.:
CHKD	DATE	UNIT: mm	2.50 mm Crimp style Connector
APPD	DATE	SIZE: A4	DWG NO.:
XKB INDUSTRIAL PRECISION CO., LIMITED			WEIGHT 1.0g
			SHEET 1/1
			REVISION A0

△ X					ANGULAR	± 5°
△ X					L ≤ 4	± 0.2
△ X					4 < L ≤ 16	± 0.3
△ X					16 < L ≤ 63	± 0.4
MARK	DESCRIPTION	DATE	REVISED	APPROVED	L > 63	± 0.5
REVISIONS						UNSPECIFIED TOLERANCES



Circuit1



Recommended P.C.B Layout  
General Tolerance±0.05

■ Specifications :

- Voltage rating: 250V AC / DC
- Current rating: 3A AC / DC
- Withstanding voltage: 1000V AC/minute
- Temperature range: -25°C~+85°C
- Insulation resistance: ≥1000MΩ
- Contact resistance: ≤10mΩ
- After environmental testing: ≤20mΩ

X8821 W V X-XX K -N0 SN XX  
① ② ③ ④ ⑤ ⑥ ⑦ ⑧ ⑨

- ① Series No.
- ② Category: W-WAFER
- ③ Welding Board Angle: V-Stright 180°
- ④ Welding Way: Blank-DIP ;
- ⑤ Row No.-Pin No.: XX-Single Row ;
- ⑥ Plug the Pin & Special No.: K-KINK
- ⑦ Material: N0 -PA66 94V-0
- ⑧ Plating Category: SN-Bright Tin Plating
- ⑨ Color : Blank-Natural Color

Poles	Dimensions(mm)		Poles	Dimensions(mm)	
	A	B		A	B
02	2.50	7.50	12	27.50	32.50
03	5.00	10.00	13	30.00	35.00
04	7.50	12.50	14	32.50	37.50
05	10.00	15.00	15	35.00	40.00
06	12.50	17.50	16	37.50	42.50
07	15.00	20.00	17	40.00	45.00
08	17.50	22.50	18	42.50	47.50
09	20.00	25.00	19	45.00	50.00
10	22.50	27.50	20	47.50	52.50
11	25.00	30.00			

X8821WV-XXK-N0SN	Nylon 66 UL 94V-0	Brass	Tin-Plated	X8821H
PART NO	Material	Material(Pin)	Finish(Pin)	Suitable XKB Terminal

For and on behalf of  
**XKB INDUSTRIAL PRECISION CO., LIMITED**  
香港星坤工業精密有限公司

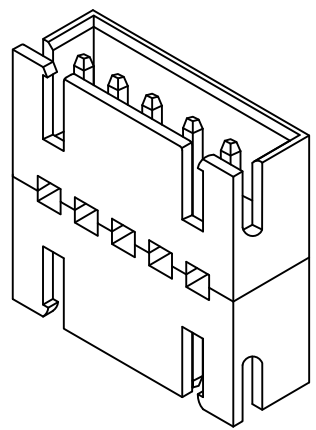
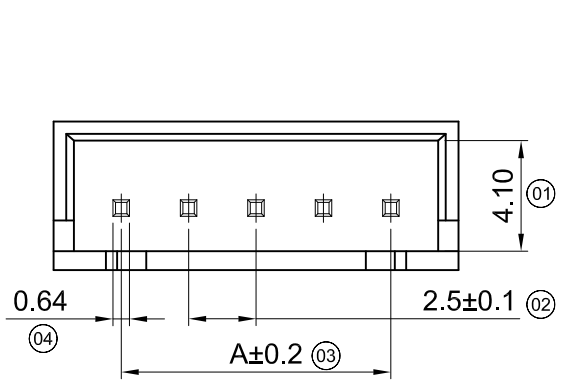
△ X  
△ X  
△ X  
MARK

DSND	DATE	SCALE: N/A	MODEL TYPE: X8821WV-XXK-N0SN
DWN	DATE	VIEW:	PART NO.: 2.50mm Crimp Style Connector
CHKD	DATE	UNIT: mm	DWG NO.:
APPD	DATE	SIZE: A4	
UNSPECIFIED TOLERANCES			WEIGHT 1.0g
XKB INDUSTRIAL PRECISION CO., LIMITED			SHEET 1/1
			REVISION A0

REVISIONS  
Authorized Signature(s)

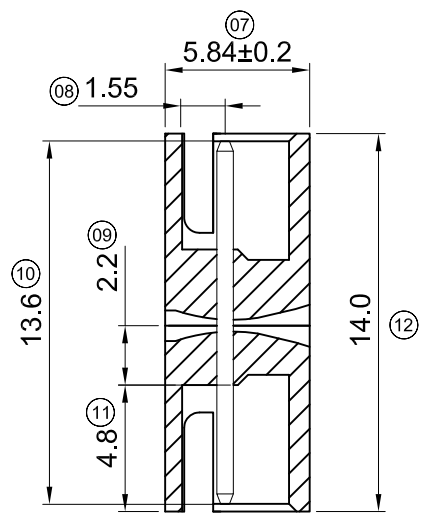
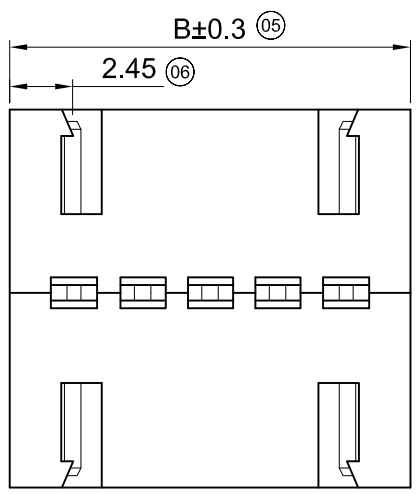
DESCRIPTION DATE REVISED APPROVED

ANGULAR ±5°  
L ≤ 4 ±0.2  
4 < L ≤ 16 ±0.3  
16 < L ≤ 63 ±0.4  
L > 63 ±0.5



**Specifications :**

- Voltage rating: 250V AC / DC
- Current rating: 3A AC / DC
- Withstanding voltage: 1000V AC/minute
- Temperature range: -25°C~+85°C
- Insulation resistance: ≥1000MΩ
- Contact resistance: ≤10mΩ
- After environmental testing: ≤20mΩ



X8821 W V X-XX H2 -N0 XX XX  
 ① ② ③ ④ ⑤ ⑥ ⑦ ⑧ ⑨

- ① Series No.
- ② Category: W-WAFER
- ③ Welding Board Angle: V-180° ; R-90°
- ④ Welding Way: Blank-DIP ; S-SMT
- ⑤ Row No.-Pin No.: XX-Single Row ; 2\*XX-Double Row
- ⑥ Plug the Pin & Special No.: H2-Double-Faced Wafer
- ⑦ Material: N0 -PA66 94V-0
- ⑧ Plating Category: G\*\*-Gold Plated Contact  
 V\*\*- All Gold-Plated  
 01-Gold Flash 02-2u" 03-3u"  
 05-5u" 10-10u" 15-15u"  
 SN-Bright Tin Plating (70u")  
 SN1-Bright Tin Plating (120u" Min).  
 0-No Plating Material  
 SW- Fog Tin Plating  
 HS-Hight temperature Tin
- ⑨ Color : Blank-Natural Color ;

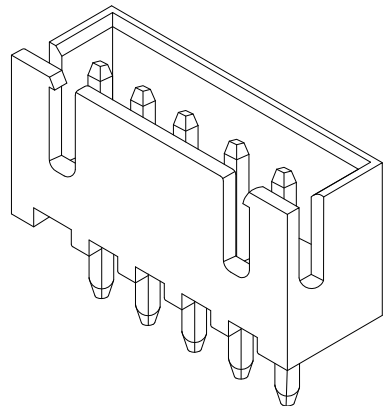
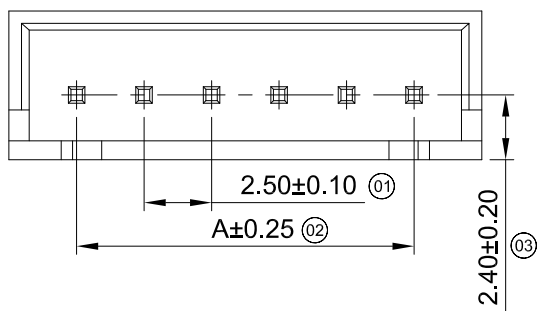
Poles	Dimensions (mm)	
	A	B
02	2.50	7.50
03	5.00	10.00
04	7.50	12.50
05	10.00	15.00
06	12.50	17.50
07	15.00	20.00
08	17.50	22.50
09	20.00	25.00
10	22.50	27.50
11	25.00	30.00
12	27.50	32.50
13	30.00	35.00
14	32.50	37.50
15	35.00	40.00
16	37.50	42.50
17	40.00	45.00
18	42.50	47.50
19	45.00	50.00
20	47.50	52.50

X8821WV-XXH2-N0SN	Nylon 66 UL 94V-0	Brass	Tin-Plated	X8821H
PART NO	Material	Material(Pin)	Finish(Pin)	Suitable XKB Terminal

For and on behalf of  
**XKB INDUSTRIAL PRECISION CO., LIMITED**  
 香港星坤工業精密有限公司

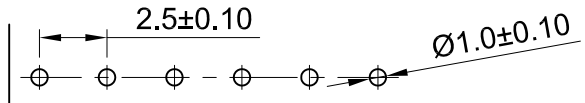
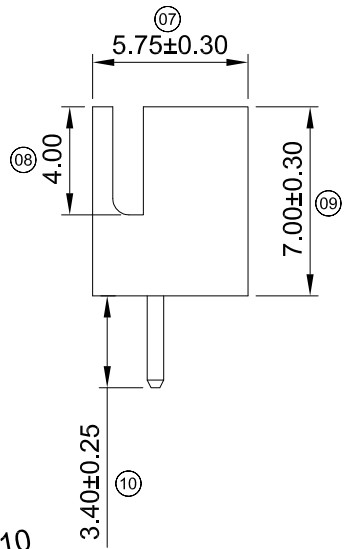
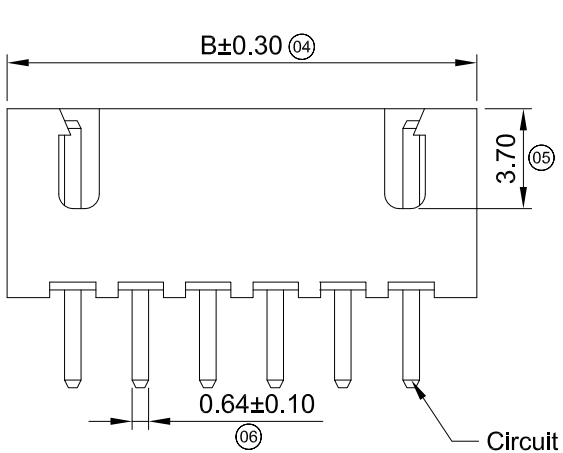
△ X					ANGULAR	± 5°	DSND		DATE		SCALE: N/A	MODEL TYPE: X8821WV-XXH2-N0SN
△ X					L ≤ 4	± 0.2	DWN		DATE		VIEW:	PART NO.:
△ X					4 < L ≤ 16	± 0.3	CHKD		DATE		UNIT: mm	2.50 mm Crimp style Connector
△ X					16 < L ≤ 63	± 0.4	APPD		DATE		SIZE: A4	DWG NO.:
MARK	DESCRIPTION	DATE	REVISED	APPROVED	L > 63	± 0.5						
					UNSPECIFIED TOLERANCES		<b>XKB INDUSTRIAL PRECISION CO., LIMITED</b>			WEIGHT	SHEET	REVISION
										1.0g	1/1	A0

REVISIONS  
 Authorized Signature(s)



**Specifications :**

- Voltage rating: 250V AC / DC
- Current rating: 3A AC / DC
- Withstanding voltage: 1000V AC/minute
- Temperature range: -25°C~+85°C
- Insulation resistance: ≥1000MΩ
- Contact resistance: ≤10mΩ
- After environmental testing: ≤20mΩ



Recommend PCB Layout

X8821 W V X-XX X-N0 XX XX  
① ② ③ ④ ⑤ ⑥ ⑦ ⑧ ⑨

- ① Series No.
- ② Category: W-WAFER
- ③ Welding Board Angle: V-180° ; R-90°
- ④ Welding Way: Blank-DIP ; S-SMT
- ⑤ Row No.-Pin No.: XX-Single Row ; 2\*XX-Double Row
- ⑥ Plug the Pin & Special No.:
- ⑦ Material: N0 -PA66 94V-0
- ⑧ Plating Category: G\*\*-Gold Plated Contact  
V\*\*- All Gold-Plated  
01-Gold flash 02-2u" 03-3u"  
05-5u" 10-10u" 15-15u"  
SN-Bright Tin Plating (70u")  
SN1-Bright Tin Plating (120u" Min).  
0-No Plating Material  
SW- Fog Tin Plating  
HS-Hight temperature Tin
- ⑨ Color : Blank-Natural Color ;

Poles	Dimensions (mm)	
	A	B
02	2.50	7.50
03	5.00	10.00
04	7.50	12.50
05	10.00	15.00
06	12.50	17.50
07	15.00	20.00
08	17.50	22.50
09	20.00	25.00
10	22.50	27.50
11	25.00	30.00
12	27.50	32.50
13	30.00	35.00
14	32.50	37.50
15	35.00	40.00
16	37.50	42.50
17	40.00	45.00
18	42.50	47.50
19	45.00	50.00
20	47.50	52.50

X8821WV-XX-N0V01	Nylon 66 UL 94V-0	Brass	Gold-Flash	x8821H
X8821WV-XX-N0SN	Nylon 66 UL 94V-0	Brass	Tin-Plated	
PART NO	Material	Material(Pin)	Finish(Pin)	Suitable XKB Terminal

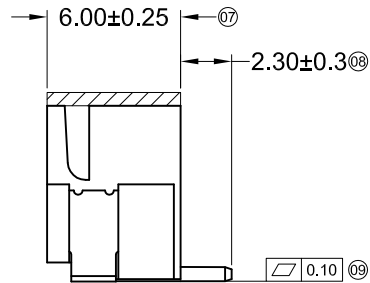
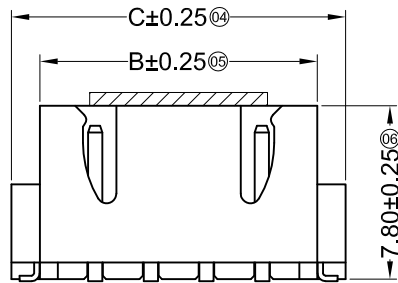
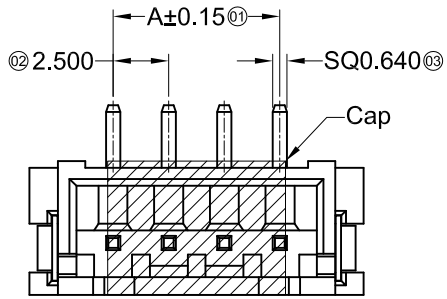
For and on behalf of  
**XKB INDUSTRIAL PRECISION CO., LIMITED**  
**香港星坤工業精密有限公司**

DSND		DATE		SCALE: N/A	MODEL TYPE: X8821WV-XX-N0XX	
DWN		DATE		VIEW:	PART NO.:	
CHKD		DATE		UNIT: mm	2.50 mm Crimp style Connector	
APPD		DATE		SIZE: A4	DWG NO.:	
				WEIGHT	SHEET	REVISION
				1.0g	1/1	A0

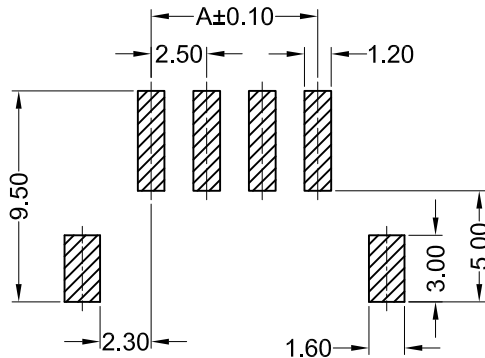
MARK	DESCRIPTION	DATE	REVISED	APPROVED	UNSPECIFIED TOLERANCES
△ X					ANGULAR ± 5°
△ X					L ≤ 4 ± 0.2
△ X					4 < L ≤ 16 ± 0.3
△ X					16 < L ≤ 63 ± 0.4
△ X					L > 63 ± 0.5

Authorized Signature(s)

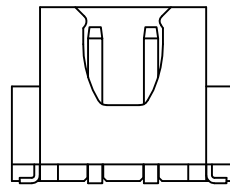
**XKB INDUSTRIAL PRECISION CO., LIMITED**



3P~16P Shape  
SCALE 1:1



Recommended P.C.B Layout  
General Tolerance±0.05



2P Shape  
SCALE 1:1

### Specifications :

- Voltage rating: 250V AC / DC
- Current rating: 3A AC / DC
- Withstanding voltage: 1000V AC/minute
- Temperature range: -25°C~+85°C
- Insulation resistance: ≥1000MΩ
- Contact resistance: ≤10mΩ
- After environmental testing: ≤20mΩ

X8821 W V S-XX X -9T SN XX

① ② ③ ④ ⑤ ⑥ ⑦ ⑧ ⑨

- ① Series No.
- ② Category: W-WAFER
- ③ Welding Board Angle: V-180°
- ④ Welding Way: S-SMT
- ⑤ Row No.-Pin No.: XX-Single Row
- ⑥ Plug the Pin & Special No.:
- ⑦ Material: 9T -PA9T 94V-0
- ⑧ Plating Category: SN-Bright Tin Plating
- ⑨ Color : Blank-Natural Color

Poles	Dimensions(mm)			Poles	Dimensions(mm)		
	A	B	C		A	B	C
02	2.50	7.45	10.00	10	22.50	27.45	30.00
03	5.00	9.95	12.50	11	25.00	29.95	32.50
04	7.50	12.45	15.00	12	27.50	32.45	35.00
05	10.00	14.95	17.50	13	30.00	34.95	37.50
06	12.50	17.45	20.00	14	32.50	37.45	40.00
07	15.00	19.95	22.50	15	35.00	39.95	42.50
08	17.50	22.45	25.00	16	37.50	42.45	45.00
09	20.00	24.95	27.50				

X8821WVS-XX-9TSN	PA9T UL 94V-0	Brass	Tin-plated	Phosphore Bronze	Tin-plated	X8821H
PART NO	Material	Material(Pin)	Finish(Pin)	Material (Solder Tabs)	Finish (Solder Tabs)	Suitable XKB Terminal

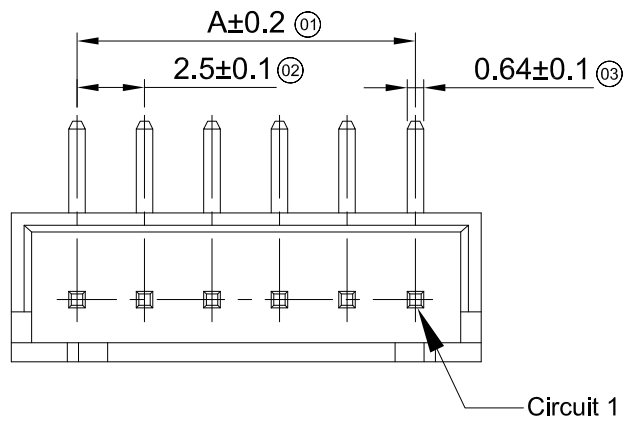
For and on behalf of  
**XKB INDUSTRIAL PRECISION CO., LIMITED**  
香港星坤工業精密有限公司

△ X					ANGULAR	± 5°
△ X					L ≤ 4	± 0.2
△ X					4 < L ≤ 16	± 0.3
△ X					16 < L ≤ 63	± 0.4
MARK					L > 63	± 0.5

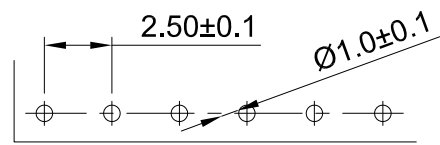
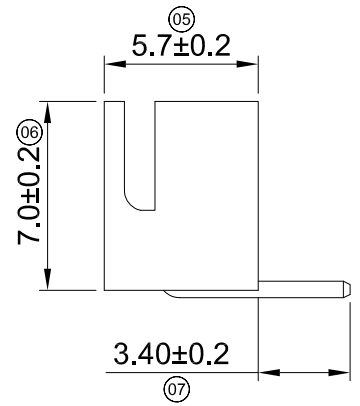
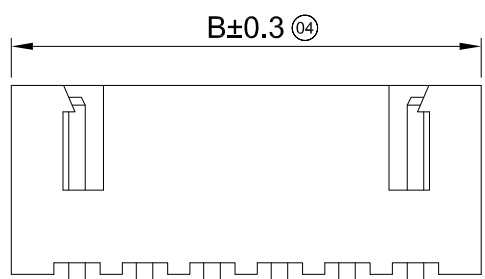
DESCRIPTION	DATE	REVISED	APPROVED	UNSPECIFIED TOLERANCES
-------------	------	---------	----------	------------------------

DSND	DATE	SCALE: N/A	MODEL TYPE: X8821WVS-XX-9TSN
DWN	DATE	VIEW:	PART NO.:
CHKD	DATE	UNIT: mm	2.50mm Crimp Style Connectors
APPD	DATE	SIZE: A4	DWG NO.:
XKB INDUSTRIAL PRECISION CO., LIMITED			WEIGHT 1.0g
			SHEET 1/1
			REVISION A0

Authorized Signature(s)



- Specifications :**
- Voltage rating: 250V AC / DC
  - Current rating: 3A AC / DC
  - Withstanding voltage: 1000V AC/minute
  - Temperature range: -25°C~+85°C
  - Insulation resistance: ≥1000MΩ
  - Contact resistance: ≤10mΩ
  - After environmental testing: ≤20mΩ



Recommant PCB Layout

X8821 W R X-XX S -N0 SN XX  
 ① ②③④⑤⑥⑦⑧⑨

- ① Series No.
- ② Category: W-WAFER
- ③ Welding Board Angle: V-180° ; R-90°
- ④ Welding Way: Blank-DIP ; S-SMT
- ⑤ Row No.-Pin No.: XX-Single Row ; 2\*XX-Double Row
- ⑥ Plug the Pin & Special No.: S-No Positioning
- ⑦ Material: N0 -PA66 94V-0 N2-PA66 94V-2
- ⑧ Plating Category: G\*\* -Gold Plated Contact  
 V\*\*- All Gold-Plated  
 01-1u" 02-2u" 03-3u"  
 05-5u" 10-10u" 15-15u"  
 SN-Bright Tin Plating (70u")  
 SN1-Bright Tin Plating (120u" Min).  
 0-No Plating Material  
 SW- Fog Tin Plating  
 HS-Hight temperature Tin
- ⑨ Color : Blank-Natural Color ;

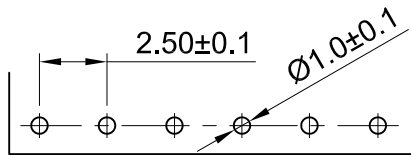
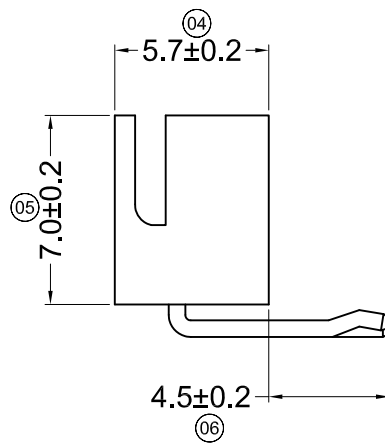
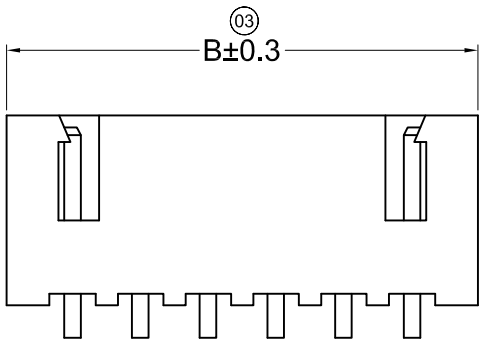
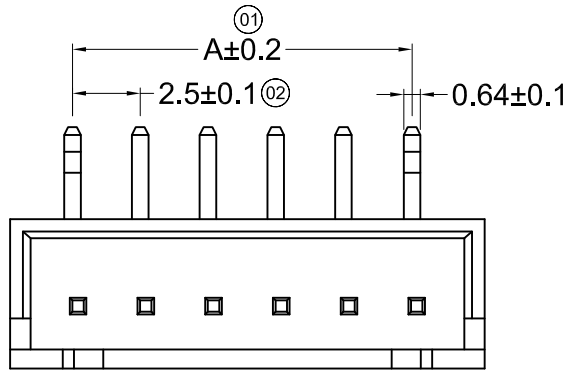
Poles	Dimensions (mm)	
	A	B
02	2.50	7.50
03	5.00	10.00
04	7.50	12.50
05	10.00	15.00
06	12.50	17.50
07	15.00	20.00
08	17.50	22.50
09	20.00	25.00
10	22.50	27.50
11	25.00	30.00
12	27.50	32.50
13	30.00	35.00
14	32.50	37.50
15	35.00	40.00
16	37.50	42.50
17	40.00	45.00
18	42.50	47.50
19	45.00	50.00
20	47.50	52.50

X8821WR-XXS-N0SN	Nylon 66 UL 94V-0	Brass	Tin-Plated	X8821H
PART NO	Material	Material(Pin)	Finish(Pin)	Suitable XKB Terminal

For and on behalf of  
**XKB INDUSTRIAL PRECISION CO., LIMITED**  
**香港星坤工業精密有限公司**

△ X					ANGULAR	± 5°
△ X					L ≤ 4	± 0.2
△ X					4 < L ≤ 16	± 0.3
△ X					16 < L ≤ 63	± 0.4
MARK	DESCRIPTION	DATE	REVISED	APPROVED	L > 63	± 0.5
REVISIONS					UNSPECIFIED TOLERANCES	

DSND		DATE		SCALE: N/A	MODEL TYPE: X8821WR-XXS-N0SN	
DWN		DATE		VIEW:	PART NO.:	
CHKD		DATE		UNIT: mm	2.50 mm Crimp style Connector	
APPD		DATE		SIZE: A4	DWG NO.:	
XKB INDUSTRIAL PRECISION CO., LIMITED				WEIGHT	SHEET	REVISION
				1.0g	1/1	A0



Recommnd PCB Layout

■ Specifications :

- Voltage rating: 250V AC / DC
- Current rating: 3A AC / DC
- Withstanding voltage: 1000V AC/minute
- Temperature range: -25°C~+85°C
- Insulation resistance: ≥1000MΩ
- Contact resistance: ≤10mΩ
- After environmental testing: ≤20mΩ

X8821 W R X-XX KS -N0 SN XX  
 ① ②③④⑤⑥ ⑦ ⑧ ⑨

- ① Series No.
- ② Category: W-WAFER
- ③ Welding Board Angle: V-180° ; R-90°
- ④ Welding Way: Blank-DIP ; S-SMT
- ⑤ Row No.-Pin No.: XX-Single Row ; 2\*XX-Double Row
- ⑥ Plug the Pin & Special No.: KS- With Kink and No Positioning
- ⑦ Material: N0 -PA66 94V-0 N2-PA66 94V-2
- ⑧ Plating Category: G\*\*-Gold Plated Contact  
 V\*\*- All Gold-Plated  
 01-Gold Flash 02-2u" 03-3u"  
 05-5u" 10-10u" 15-15u"  
 SN-Bright Tin Plating (70u")  
 SN1-Bright Tin Plating (120u" Min).  
 0-No Plating Material  
 SW- Fog Tin Plating  
 HS-Hight temperature Tin
- ⑨ Color : Blank-Natural Color ;

Poles	Dimensions (mm)	
	A	B
02	2.50	7.50
03	5.00	10.00
04	7.50	12.50
05	10.00	15.00
06	12.50	17.50
07	15.00	20.00
08	17.50	22.50
09	20.00	25.00
10	22.50	27.50
11	25.00	30.00
12	27.50	32.50
13	30.00	35.00
14	32.50	37.50
15	35.00	40.00
16	37.50	42.50
17	40.00	45.00
18	42.50	47.50
19	45.00	50.00
20	47.50	52.50

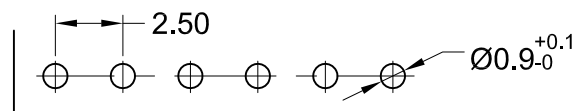
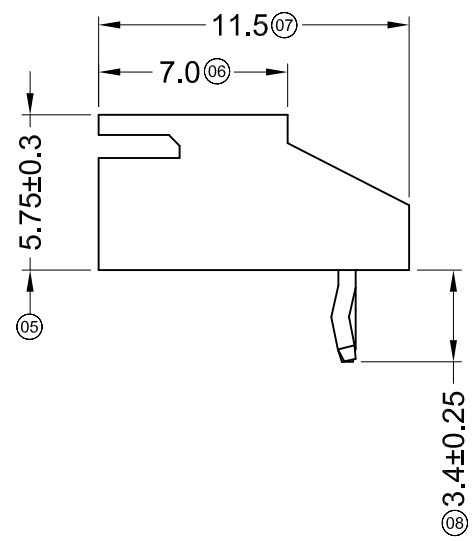
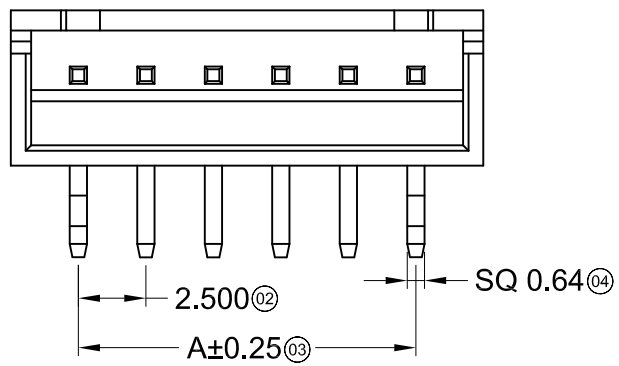
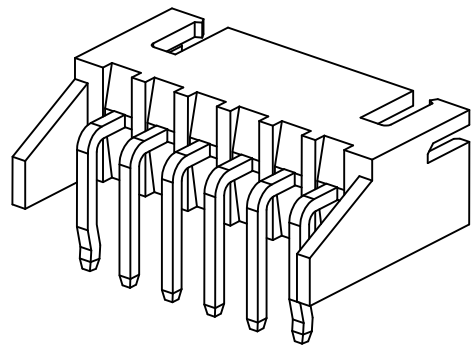
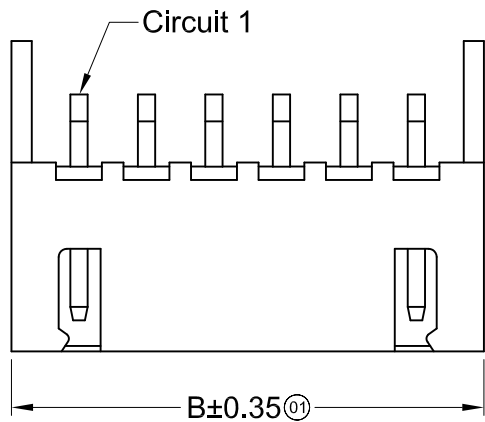
X8821WR-XXKS-N0SN	Nylon 66 UL 94V-0	Brass	Tin-Plated	X8821H
PART NO	Material	Material(Pin)	Finish(Pin)	Suitable XKB Terminal

For and on behalf of  
**XKB INDUSTRIAL PRECISION CO., LIMITED**  
 香港星坤工業精密有限公司

△ X  
 △ X  
 △ X  
 MARK

DSND	DATE	SCALE: N/A	MODEL TYPE: X8821WR-XXKS-N0SN
DWN	DATE	VIEW:	PART NO.:
CHKD	DATE	UNIT: mm	2.50 mm Crimp style Connector
APPD	DATE	SIZE: A4	DWG NO.:
UNSPECIFIED TOLERANCES			WEIGHT
XKB INDUSTRIAL PRECISION CO., LIMITED			1.0g
			SHEET
			1/1
			REVISION
			A0

DESCRIPTION	DATE	REVISED	APPROVED	UNSPECIFIED TOLERANCES
Authorized Signature(s)				



Recommended P.C.B Layout  
General Tolerance±0.05

**Specifications :**

- Voltage rating: 250V AC / DC
- Current rating: 3A AC / DC
- Withstanding voltage: 1000V AC/minute
- Temperature range: -25°C~+85°C
- Insulation resistance: ≥1000MΩ
- Contact resistance: ≤10mΩ
- After environmental testing: ≤20mΩ

X8821 W R X-XX K -N0 SN XX  
① ② ③ ④ ⑤ ⑥ ⑦ ⑧ ⑨

- ① Series No.
- ② Category: W-WAFER
- ③ Welding Board Angle: R-Right Angle 90°
- ④ Welding Way: Blank-DIP ;
- ⑤ Row No.-Pin No.: XX-Single Row ;
- ⑥ Plug the Pin & Special No.: K-KINK
- ⑦ Material: N0 -PA66 94V-0 N2-PA66 94V-2
- ⑧ Plating Category: SN-Bright Tin Plating
- ⑨ Color : Blank-Natural Color

Poles	Dimensions(mm)		Poles	Dimensions(mm)	
	A	B		A	B
02	2.50	7.50	12	27.50	32.50
03	5.00	10.00	13	30.00	35.00
04	7.50	12.50	14	32.50	37.50
05	10.00	15.00	15	35.00	40.00
06	12.50	17.50	16	37.50	42.50
07	15.00	20.00	17	40.00	45.00
08	17.50	22.50	18	42.50	47.50
09	20.00	25.00	19	45.00	50.00
10	22.50	27.50	20	47.50	52.50
11	25.00	30.00			

X8821WR-XXK-N2SN	Nylon 66 UL 94V2	Brass	Tin-Plated	X8821H
X8821WR-XXK-N0SN	Nylon 66 UL 94V-0	Brass	Tin-Plated	X8821H
PART NO	Material	Material(Pin)	Finish(Pin)	Suitable XKB Terminal

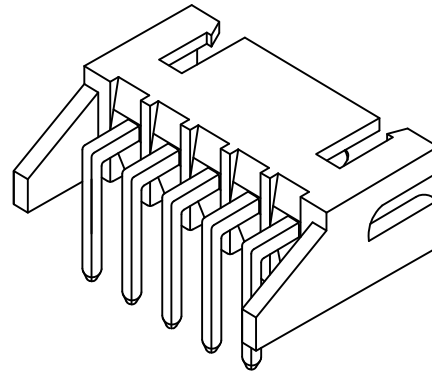
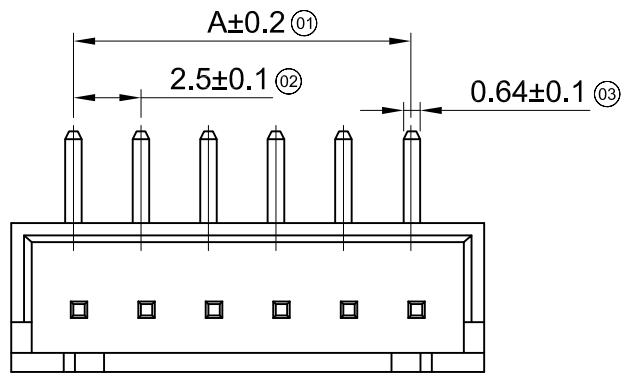
DSND	DATE	SCALE: N/A	MODEL TYPE: X8821WR-XXK-N0SN
DWN	DATE	VIEW:	PART NO.: 2.50mm Crimp style Connector
CHKD	DATE	UNIT: mm	DWG NO.:
APPD	DATE	SIZE: A4	

For and on behalf of  
**XKB INDUSTRIAL PRECISION CO., LIMITED**  
**香港星坤工業精密有限公司**

MARK	DESCRIPTION	DATE	REVISED	APPROVED	UNSPECIFIED TOLERANCES
△ X					ANGULAR ±5°
△ X					L ≤ 4 ±0.2
△ X					4 < L ≤ 16 ±0.3
△ X					16 < L ≤ 63 ±0.4
MARK					L > 63 ±0.5

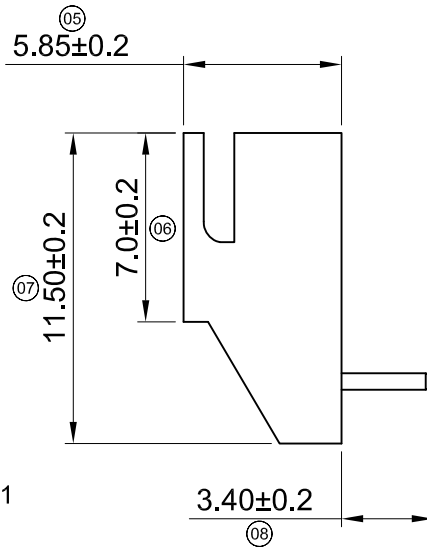
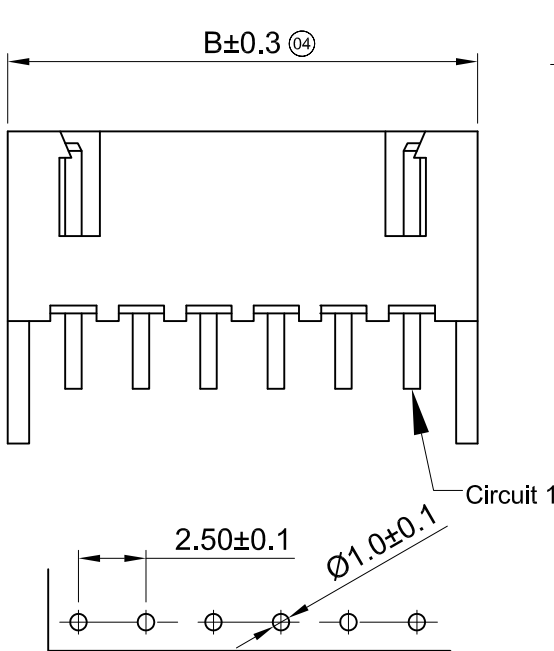
<b>XKB INDUSTRIAL PRECISION CO., LIMITED</b>			WEIGHT 1.0g	SHEET 1/1	REVISION A0
--	--	--	----------------	--------------	----------------





**Specifications :**

- Voltage rating: 250V AC / DC
- Current rating: 3A AC / DC
- Withstanding voltage: 1000V AC/minute
- Temperature range: -25°C~+85°C
- Insulation resistance: ≥1000MΩ
- Contact resistance: ≤10mΩ
- After environmental testing: ≤20mΩ



X8821 W R X-XX X -N0 SN XX  
 ① ② ③ ④ ⑤ ⑥ ⑦ ⑧ ⑨

- ① Series No.
- ② Category: W-WAFER
- ③ Welding Board Angle: V-180° ; R-90°
- ④ Welding Way: Blank-DIP ; S-SMT
- ⑤ Row No.-Pin No.: XX-Single Row ; 2\*XX-Double Row
- ⑥ Plug the Pin & Special No.:
- ⑦ Material: N0 -PA66 94V-0 N2-PA66 94V-2
- ⑧ Plating Category: G\*\*-Gold Plated Contact  
 V\*\*- All Gold-Plated  
 01-Gold Flash 02-2u" 03-3u"  
 05-5u" 10-10u" 15-15u"  
 SN1-Bright Tin Plating (70-120u")  
 SN-Bright Tin Plating (120u" Min).  
 0-No Plating Material  
 SW- Fog Tin Plating  
 HS-Hight temperature Tin
- ⑨ Color : Blank-Natural Color ;

Poles	Dimensions (mm)	
	A	B
02	2.50	7.50
03	5.00	10.00
04	7.50	12.50
05	10.00	15.00
06	12.50	17.50
07	15.00	20.00
08	17.50	22.50
09	20.00	25.00
10	22.50	27.50
11	25.00	30.00
12	27.50	32.50
13	30.00	35.00
14	32.50	37.50
15	35.00	40.00
16	37.50	42.50
17	40.00	45.00
18	42.50	47.50
19	45.00	50.00
20	47.50	52.50

Recommad PCB Layout

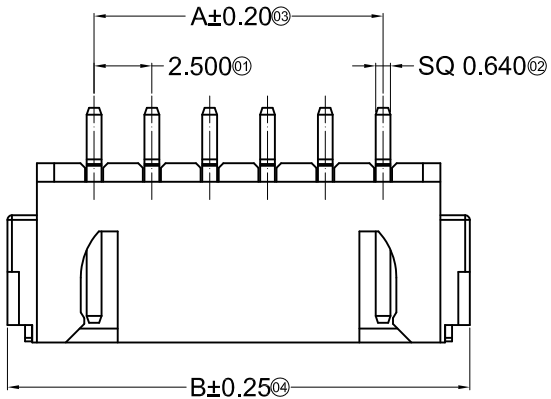
For and on behalf of  
**XKB INDUSTRIAL PRECISION CO., LIMITED**  
 香港星坤工業精密有限公司

X8821WR-XXK-N2SN	Nylon 66 UL 94V2	Brass	Tin-Plated	X8821H
X8821WR-XX-N0SN	Nylon 66 UL 94V-0	Brass	Tin-Plated	X8821H
PART NO	Material	Material(Pin)	Finish(Pin)	Suitable XKB Terminal

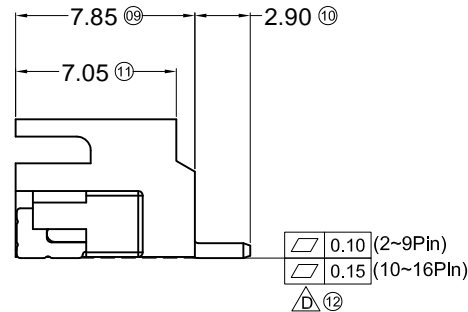
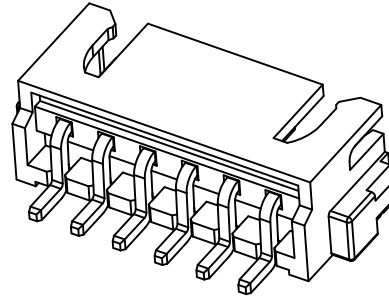
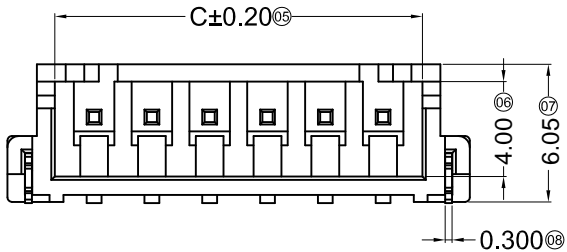
DSND	DATE	SCALE: N/A	MODEL TYPE: X8821WR-XX-N0SN
DWN	DATE	VIEW:	PART NO.:
CHKD	DATE	UNIT: mm	2.50 mm Crimp style Connector
APPD	DATE	SIZE: A4	DWG NO.:

MARK	DESCRIPTION	DATE	REVISED	APPROVED	UNSPECIFIED TOLERANCES
△ X					ANGULAR ±5°
△ X					L ≤ 4 ±0.2
△ X					4 < L ≤ 16 ±0.3
△ X					16 < L ≤ 63 ±0.4
MARK					L > 63 ±0.5

<b>XKB INDUSTRIAL PRECISION CO., LIMITED</b>			WEIGHT 1.0g	SHEET 1/1	REVISION A0
--	--	--	----------------	--------------	----------------



3P~16P Shape  
SCALE 1:1



■ Specifications :

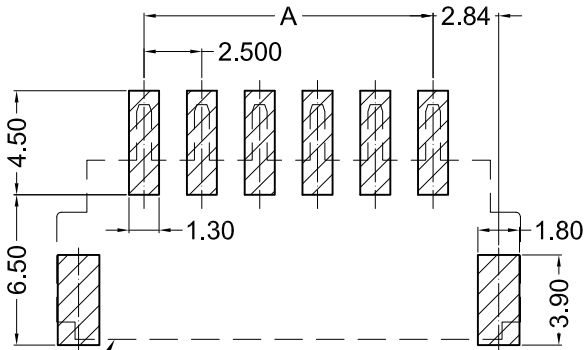
- Voltage rating: 250V AC / DC
- Current rating: 3A AC / DC
- Withstanding voltage: 1000V AC/minute
- Temperature range: -25°C~+85°C
- Insulation resistance: ≥1000Ω
- Contact resistance: ≤10mΩ
- After environmental testing: ≤20mΩ

X8821 W R S-XX X-9T XX XX

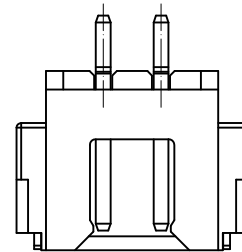
① ② ③ ④ ⑤ ⑥ ⑦ ⑧ ⑨

- ① Series No.
- ② Category: W-WAFER
- ③ Welding Board Angle: R-Right Angle 90°
- ④ Welding Way: S-SMT
- ⑤ Row No.-Pin No.: XX-02P~16P
- ⑥ Plug the Pin & Special No.:
- ⑦ Material: 9T -PA9T UL 94V-0
- ⑧ Plating Category: SN-Bright Tin Plating  
V01-All Gold Flash
- ⑨ Color : Blank-Natural Color

Poles	Dimensions (mm)			Poles	Dimensions (mm)		
	A	B	C		A	B	C
02	2.50	10.00	5.90	10	22.50	30.00	25.90
03	5.00	12.50	8.40	11	25.00	32.50	28.40
04	7.50	15.00	10.90	12	27.50	35.00	30.90
05	10.00	17.50	13.40	13	30.00	37.50	33.40
06	12.50	20.00	15.90	14	32.50	40.00	35.90
07	15.00	22.50	18.40	15	35.00	42.50	38.40
08	17.50	25.00	20.90	16	37.50	45.00	40.90
09	20.00	27.50	23.40				



Recommended P.C.B Layout  
General Tolerance±0.05



2P Shape  
SCALE 1:1

X8821WRS-XX-9TV01	PA 9T UL 94V-0	Brass	Gold Flash	Tin-Plated	X8821H
X8821WRS-XX-9TSN			Tin-Plated	Tin-Plated	
PART NO	Material	Material(Pin And Solder Tabs)	Finish(Pin)	Finish(Solder Tabs)	Suitable XKB Terminal

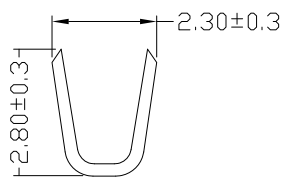
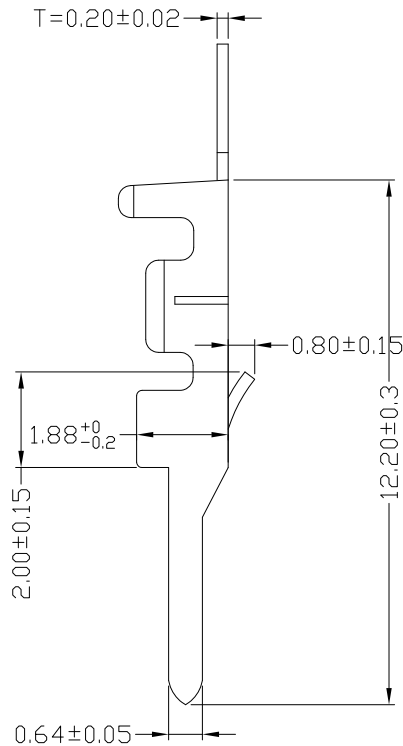
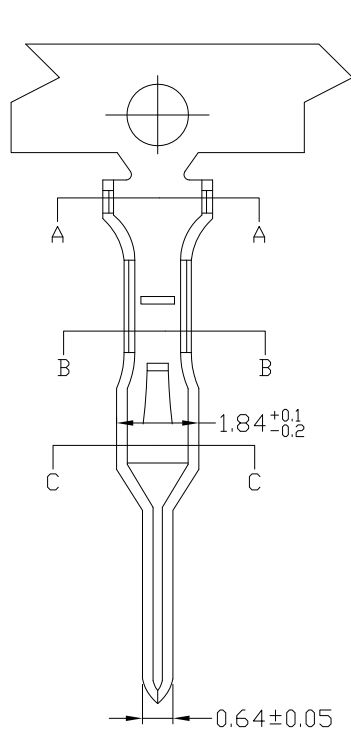
For and on behalf of  
**XKB INDUSTRIAL PRECISION CO., LIMITED**  
香港星坤工業精密有限公司

Authorized Signature(s)

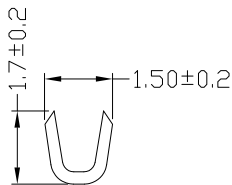
DSND	DATE	SCALE: N/A	MODEL TYPE: X8821WRS-XX-9TXXX
DWN	DATE	VIEW:	PART NO.:
CHKD	DATE	UNIT: mm	2.50mm Crimp Style Connector
APPD	DATE	SIZE: A4	DWG NO.:
			WEIGHT 1.0g
			SHEET 1/1
			REVISION A0

**XKB INDUSTRIAL PRECISION CO., LIMITED**

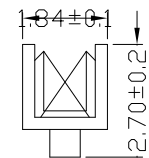
△ X					ANGULAR	± 5°
△ X					L ≤ 4	± 0.2
△ X					4 < L ≤ 16	± 0.3
△ X					16 < L ≤ 63	± 0.4
MARK	DESCRIPTION	DATE	REVISED	APPROVED	L > 63	± 0.5
REVISIONS						UNSPECIFIED TOLERANCES



Section: A-A



Section: B-B



Section: C-C

X8821TM-PSN	Phosphor Bronze	AWG#22-26	1.90mm(Max)	Stamping Before Plating:30-50u" Ni;70-120u"Sn	X8821HF
PART NO	Material	Wire Range	Insulation O.D.	Finish	Suitable XKB Terminal

■ Specifications(规格):

- Voltage rating(额定电压): 250V AC / DC
- Current rating(额定电流): 3A AC / DC
- Withstanding voltage(耐压值): 1000V AC/minute
- Temperature range(工作温度): -25°C~+85°C
- Insulation resistance(绝缘电阻):  $\geq 1000M\Omega$
- Contact resistance(接触电阻):  $\leq 10m\Omega$
- After environmental testing(环境测试后):  $\leq 20m\Omega$

X8821 T M-P SN X-X

① ② ③ ④ ⑤ ⑥ ⑦

- ① 系列
- ② 类别:  
T-端子
- ③ 外观形态:  
M-公端
- ④ 材质:  
P-磷铜
- ⑤ 电镀类别:G\*\*-镀金 V\*\*-镀全金  
\*01-Gold Flash \*02-2U" \*03-3U" \*05-5U"  
\*10-10U" \*15-15U" \*30-30U" \*50-50U"  
SN-镀亮锡(70-120U") SN1-镀亮锡(120U"Min.)  
0-素材 SW-镀雾锡
- ⑥ 电镀方式:  
空码-先冲后镀 B-先镀后冲
- ⑦ 模号/MARK及特殊码

For and on behalf of  
**XKB INDUSTRIAL PRECISION CO., LIMITED**  
**香港星坤工业精密有限公司**

Authorized Signature(s)

DSND		DATE		SCALE: N/A	MODEL TYPE:
DWN		DATE		VIEW:	X8821TM-PSN
CHKD		DATE		UNIT: mm	PART NO.: 2.50 mm Crimp Style connectors
APPD		DATE		SIZE: A4	DWG NO.:
				WEIGHT	SHEET
				1.0g	1/1
				REVISION	A0

**XKB INDUSTRIAL PRECISION CO., LIMITED**

UNSPECIFIED TOLERANCES

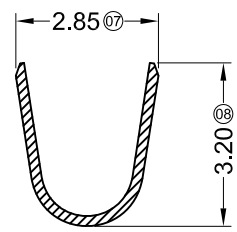
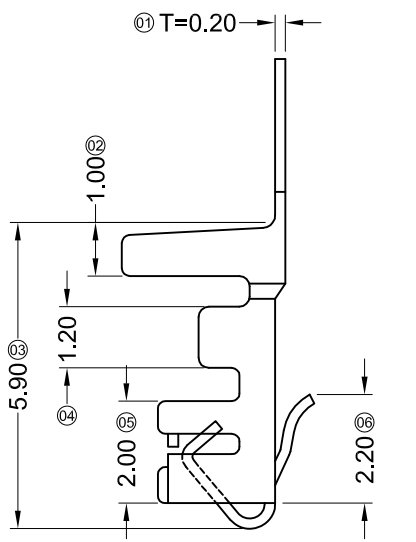
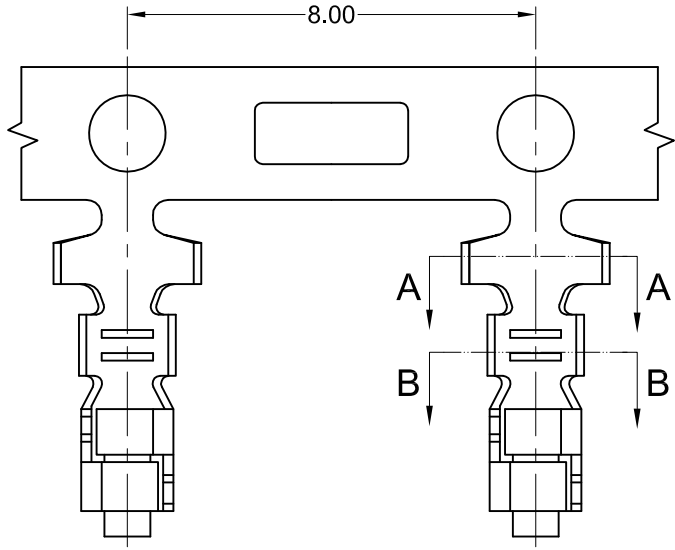
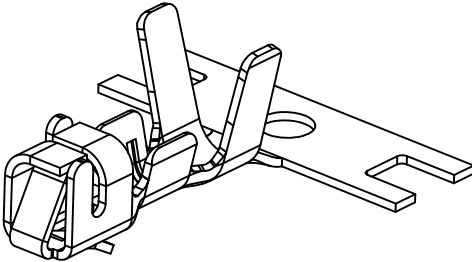
△ X					ANGULAR	± 5°
△ X					L ≤ 4	± 0.2
△ X					4 < L ≤ 16	± 0.3
△ X					16 < L ≤ 63	± 0.4
MARK					L > 63	± 0.5
	DESCRIPTION	DATE	REVISED	APPROVED		

**Specifications :**

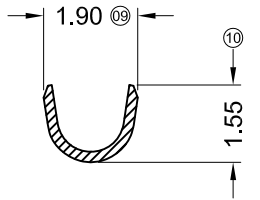
- Voltage rating: 250V AC / DC
- Current rating: 3A AC / DC
- Withstanding voltage: 1000V AC/minute
- Temperature range: -25°C~+85°C
- Insulation resistance: ≥1000MΩ
- Contact resistance: ≤10mΩ
- After environmental testing: ≤20mΩ

X8821 T X-B SN X - X

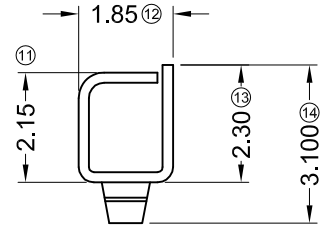
- ① Series Number
- ② Category: T-terminal
- ③ Shape: Blank-ordinary
- ④ Material: B-Brass P-Phosphor bronze
- ⑤ Plating style: SN-Bright tin plating
- ⑥ Plating method:  
Blank-Stamping before plating  
B-Plating before stamping
- ⑦ Mold No./Mark/Special No.



SECTION: A-A  
SCALE: 1:1



SECTION: B-B  
SCALE: 1:1



X8821T-BSN	Brass	AWG#22-26	1.90mm(Max)	Stamping Before Plating:30u" Ni:70u"Sn	X8821H
X8821T-BSNB				Plating Before Stamping:10u" Ni:40u"Sn	
X8821T-PSNB	Phosphor Bronze			Plating Before Stamping:10u" Ni:40u"Sn	
X8821T-PSN				Stamping Before Plating:30u" Ni:70u"Sn	
PART NO	Material	Wire Range	Insulation O.D.	Finish	Suitable XKB Terminal

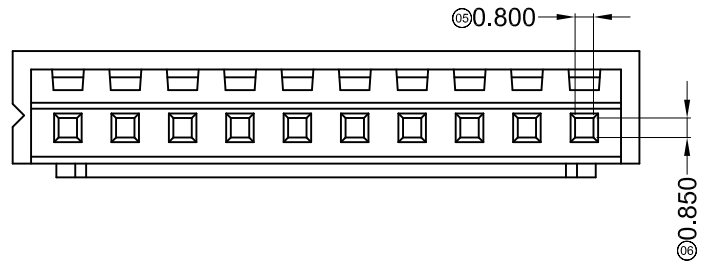
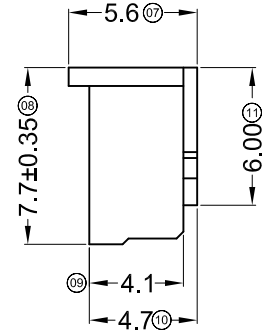
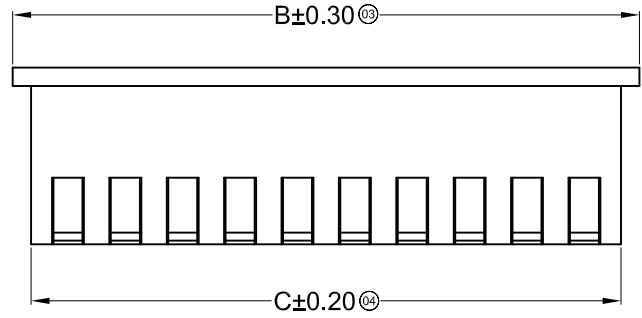
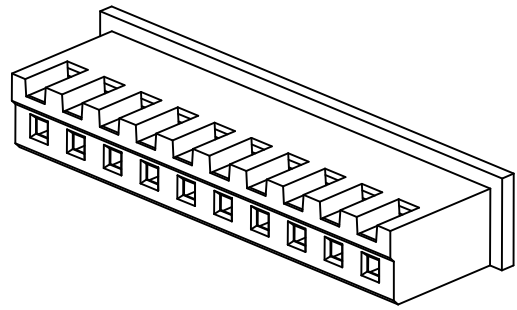
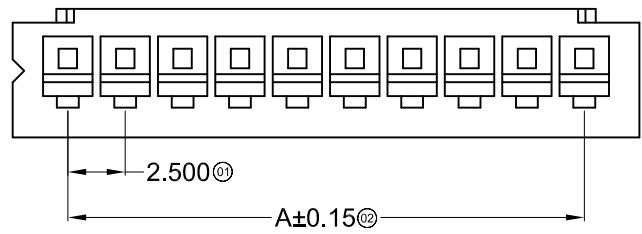
For and on behalf of  
**XKB INDUSTRIAL PRECISION CO., LIMITED**  
香港星坤工業精密有限公司

△ X					ANGULAR	± 5°
△ X					L ≤ 4	± 0.2
△ X					4 < L ≤ 16	± 0.3
△ X					16 < L ≤ 63	± 0.4
MARK					L > 63	± 0.5
REVISIONS						UNSPECIFIED TOLERANCES

DSND		DATE		SCALE: N/A	MODEL TYPE: X8821T-BSNB
DWN		DATE		VIEW:	PART NO.: 2.50mm Crimp Style Connectors
CHKD		DATE		UNIT: mm	DWG NO.:
APPD		DATE		SIZE: A4	
				WEIGHT	SHEET
				1.0g	1/1
				REVISION	A0

**XKB INDUSTRIAL PRECISION CO., LIMITED**

Authorized Signature(s)



**Specifications :**

- Voltage rating: 250V AC / DC
- Current rating: 3A AC / DC
- Withstanding voltage: 1000V AC/minute
- Temperature range: -25°C~+85°C
- Insulation resistance: ≥1000MΩ
- Contact resistance: ≤10mΩ
- After environmental testing: ≤20mΩ

**X8821 H X-XX X-N0 XX**

- ① Series No.
- ② Category: H-HSG
- ③ Appearance type: Blank-Ordinary
- ④ Row No.-Pin No.: XX-Single Row
- ⑤ Plug the Pin & Special No. Blank-Ordinary
- ⑥ Material : N0-PA66 94V-0 N2-PA66 94V-2
- ⑦ Color: Blank : Natural Color

Poles	Dimensions(mm)			Poles	Dimensions(mm)		
	A	B	C		A	B	C
02	2.50	7.30	5.70	10	22.50	27.30	25.70
03	5.00	9.80	8.20	11	25.00	29.80	28.20
04	7.50	12.30	10.70	12	27.50	32.30	30.70
05	10.00	14.80	13.20	13	30.00	34.80	33.20
06	12.50	17.30	15.70	14	32.50	37.30	35.70
07	15.00	19.80	18.20	15	35.00	39.80	38.20
08	17.50	22.30	20.70	16	37.50	42.30	40.70
09	20.00	24.80	23.20				

X8821H-XX-N0	Nylon 66 UL 94V-0	X8821T	X8821W、8821HF
PART NO	Material	Suitable XKB Terminal	Suitable XKB Terminal

For and on behalf of  
**XKB INDUSTRIAL PRECISION CO., LIMITED**  
**香港星坤工業精密有限公司**

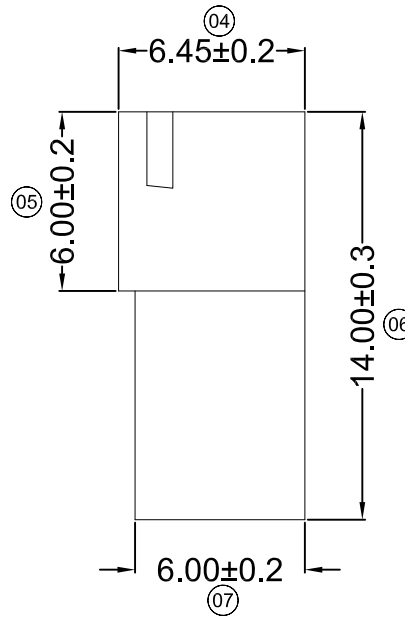
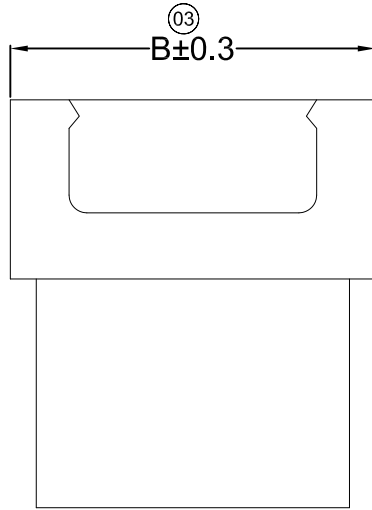
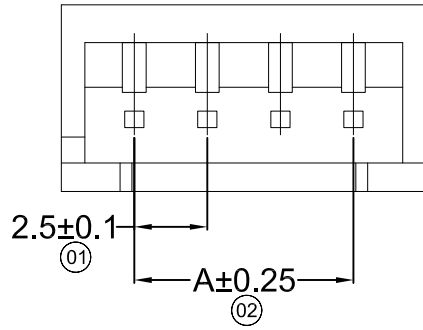
DSND	DATE	SCALE: N/A	MODEL TYPE: X8821H-XX-N0
DWN	DATE	VIEW:	PART NO.: 2.50mm Crimp style Connector
CHKD	DATE	UNIT: mm	DWG NO.:
APPD	DATE	SIZE: A4	

REVISIONS	DESCRIPTION	DATE	REVISED	APPROVED	UNSPECIFIED TOLERANCES
△ X					ANGULAR ± 5°
△ X					L ≤ 4 ± 0.2
△ X					4 < L ≤ 16 ± 0.3
△ X					16 < L ≤ 63 ± 0.4
MARK					L > 63 ± 0.5

<b>XKB INDUSTRIAL PRECISION CO., LIMITED</b>			WEIGHT 1.0g	SHEET 1/1	REVISION A0
--	--	--	----------------	--------------	----------------

### Specifications :

- Voltage rating: 250V AC / DC
- Current rating: 3A AC / DC
- Withstanding voltage: 1000V AC/minute
- Temperature range: -25°C~+85°C
- Insulation resistance: ≥1000MΩ
- Contact resistance: ≤10mΩ
- After environmental testing: ≤20mΩ



### X8821 H F-XX X-N0 XX

① ② ③ ④ ⑤ ⑥ ⑦

- ① Series No.
- ② Category: H-HSG
- ③ Appearance type: F-Female
- ④ Row No.-Pin No.: XX-Single Row
- ⑤ Plug the Pin & Special No. Blank-Ordinary
- ⑥ Material : N0-PA66 94V-0 N2-PA66 94V-2
- ⑦ Color: Blank : Natural Color

Poles	Dimensions (mm)	
	A	B
02	2.50	7.50
03	5.00	10.00
04	7.50	12.50
05	10.00	15.00
06	12.50	17.50
07	15.00	20.00
08	17.50	22.50
09	20.00	25.00
10	22.50	27.50
11	25.00	30.00
12	27.50	32.50
13	30.00	35.00
14	32.50	37.50
15	35.00	40.00
16	37.50	42.50
17	40.00	45.00
18	42.50	47.50
19	45.00	50.00
20	47.50	52.50

X8821HF-XX-N0	Nylon 66 UL 94V-0	X8821TM	X8821W, 8821H
PART NO	Material	Suitable XKB Terminal	Suitable XKB Terminal

For and on behalf of  
**XKB INDUSTRIAL PRECISION CO., LIMITED**  
**香港星坤工業精密有限公司**

△ X					ANGULAR	± 5°
△ X					L ≤ 4	± 0.2
△ X					4 < L ≤ 16	± 0.3
△ X					16 < L ≤ 63	± 0.4
MARK	DESCRIPTION	DATE	REVISED	APPROVED	L > 63	± 0.5

DSND		DATE		SCALE: N/A	MODEL TYPE: X8821HF-XX-N0	
DWN		DATE		VIEW:	PART NO.:	
CHKD		DATE		UNIT: mm	2.50 mm Crimp style Connector	
APPD		DATE		SIZE: A4	DWG NO.:	
UNSPECIFIED TOLERANCES				<b>XKB INDUSTRIAL PRECISION CO., LIMITED</b>		
						WEIGHT
				1.0g	1/1	A0

REVISIONS  
*Authorized Signature(s)*