

DESCRIPTION

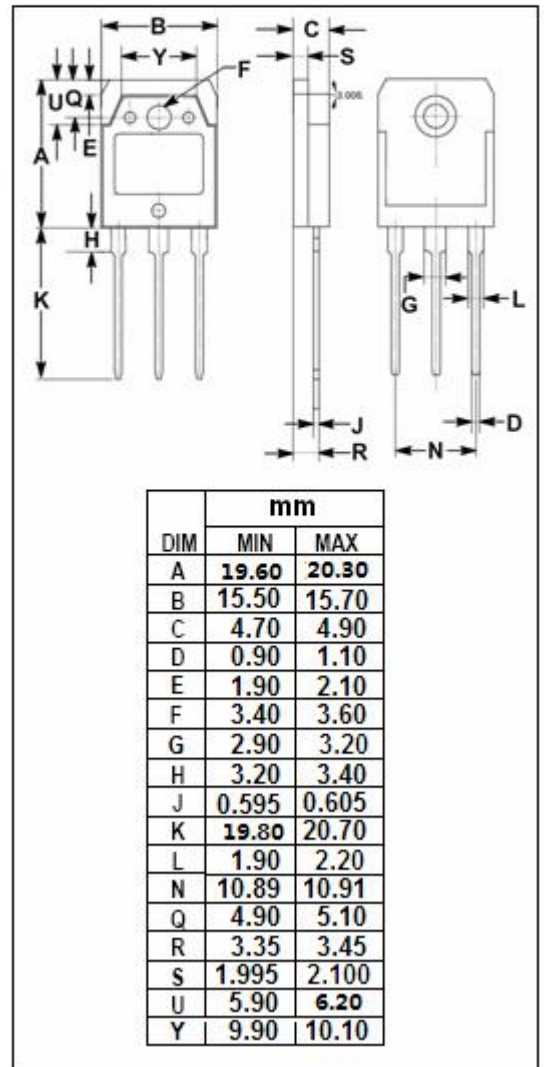
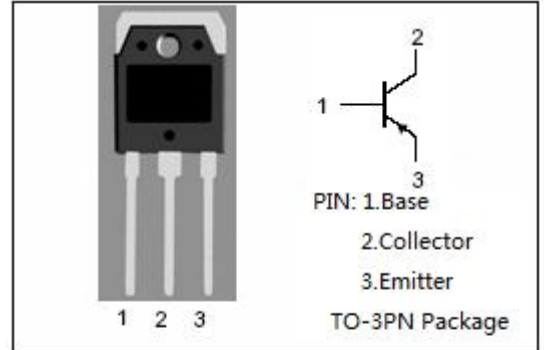
- Collector-Emitter Breakdown Voltage-
 $V_{(BR)CEO} = -115V(\text{Min})$
- Good Linearity of h_{FE}
- Complement to Type 2SC2681

APPLICATIONS

- Audio frequency power amplifier
- High frequency power amplifier

ABSOLUTE MAXIMUM RATINGS($T_a=25^\circ\text{C}$)

SYMBOL	PARAMETER	VALUE	UNIT
V_{CBO}	Collector-Base Voltage	-115	V
V_{CEO}	Collector-Emitter Voltage	-115	V
V_{EBO}	Emitter-Base Voltage	-5	V
I_C	Collector Current-Continuous	-10	A
I_{CM}	Collector Current-Peak	-15	A
P_C	Collector Power Dissipation @ $T_a=25^\circ\text{C}$	2.0	W
	Collector Power Dissipation @ $T_c=25^\circ\text{C}$	100	
T_J	Junction Temperature	150	$^\circ\text{C}$
T_{stg}	Storage Temperature Range	-55~150	$^\circ\text{C}$



ELECTRICAL CHARACTERISTICS

$T_c=25^{\circ}\text{C}$ unless otherwise specified

SYMBOL	PARAMETER	CONDITIONS	MIN	TYP.	MAX	UNIT
$V_{CE(sat)}$	Collector-Emitter Saturation Voltage	$I_C = -4.5A; I_B = -0.45A$			-1.5	V
$V_{BE(on)}$	Base-Emitter On Voltage	$I_C = -4.5A; V_{CE} = -2V$			-2.0	V
I_{CBO}	Collector Cutoff Current	$V_{CB} = -80V; I_E = 0$			-50	μA
I_{EBO}	Emitter Cutoff Current	$V_{EB} = -5V; I_C = 0$			-50	μA
h_{FE-1}	DC Current Gain	$I_C = -1A; V_{CE} = -2V$	60		200	
h_{FE-2}	DC Current Gain	$I_C = -4.5A; V_{CE} = -2V$	40			
C_{OB}	Output Capacitance	$I_E = 0; V_{CB} = -10V; f = 1.0MHz$		390		pF
f_T	Current-Gain—Bandwidth Product	$I_C = -1A; V_{CE} = -2V$		90		MHz

◆ **h_{FE-1} Classifications**

R	Q
60-120	100-200