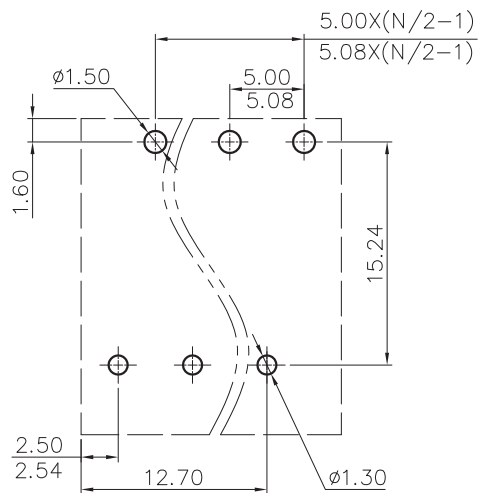
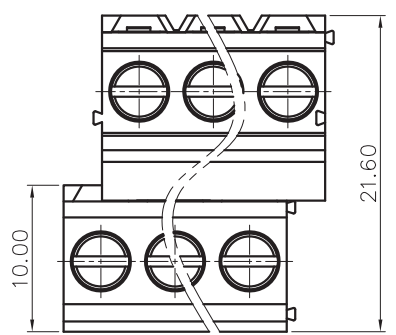


REVISION RECORD				
REV	ECN	DESCRIPTION	DRFT	DATE



PCB LAYOUT



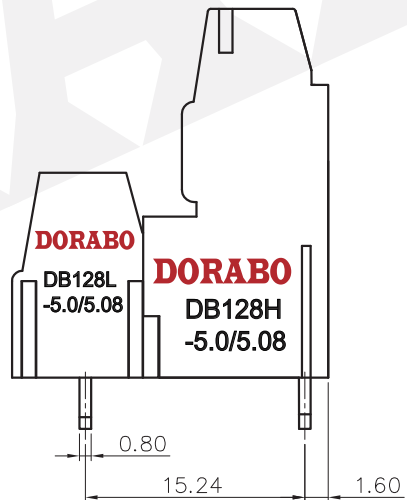
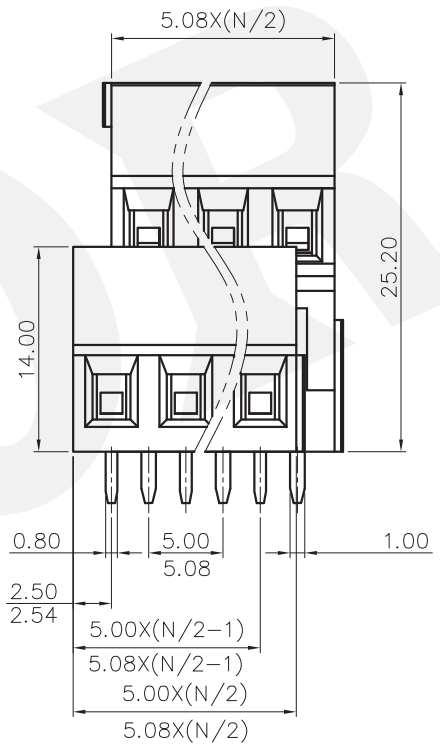
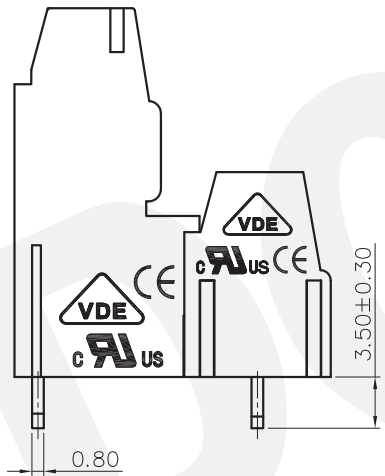
DB128B - 5.0/5.08 - XXP - 1Y - 00A (H)
 (Series No.) (Pitch) (Poles) (Single Pitch) (RoHS)
 00A-(Standard)
 (Color):1.(Grey) 2.(Blue) 3.(Black) 4.(Green) 5.(Orange)
 6.(Red) 7.(Transparent) 8.(Yellow) 9.(White)

- NOTES1:
- UL Standard
 - 1.Rated voltage/current : 300V / 20A
 - 2.Torque value : M2.5 , 3.54Lb.in
 - 3.Wire range : 28~12AWG
- IEC Standard
- 1.Rated voltage/current : 250V / 18A
 - 2.Torque value : M2.5 , 0.4N·m
 - 3.Wire range : 1.0~2.5mm²

- NOTES2:
- 1.Dimension shall be interpreted per ASME Y14.5-2009
 - 2.Pitch : 5.0/5.08mm, Poles : N=04~48P
 - 3.Stripping length : 6~7mm
 - 4.Withstanding voltage : AC2000V/1Min.
 - 5.Operating temperature : -40°C~+105°C
 - 6.Undimensioned tolerances:

Pitch range in mm		Nominal dimension range in mm						
To	Over	To	Over	To	Over	To	Over	
6	10	10	24	30	60	100	150	0.1/10
±0.15	±0.20	±0.30	±0.30	±0.50	±0.70	±1.00	±1.30	±2'

7.RoHS Compliance



DETACHED LISTS	PART NO.:	DORABO 慈溪市地博电子有限公司 CIXI DORABO ELECTRONICS CO.,LTD			
	APPD:	NAME: DB128B-5.0/5.08-XXP-1Y-00A(H)			
	CHKD:	TITLE: CUSTOMER DRAWING			
	DRFT:	DRAWING NO.:		REV	DO
	THIRD ANGLE PROJECTION		MM (INCH)	DO NOT SCALE DRAWING	SHEET 1/1
			SCALE	1:1	