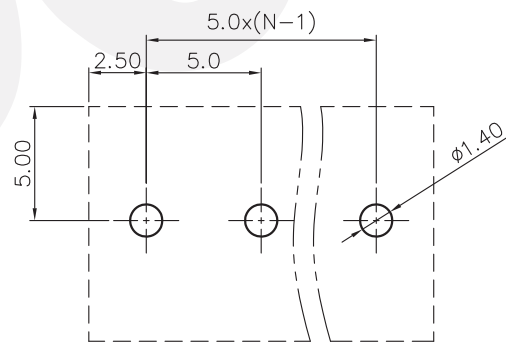
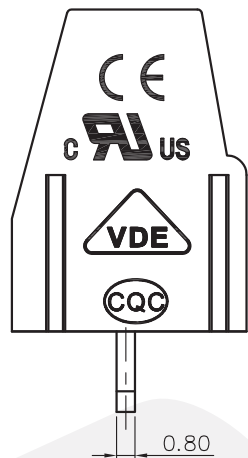
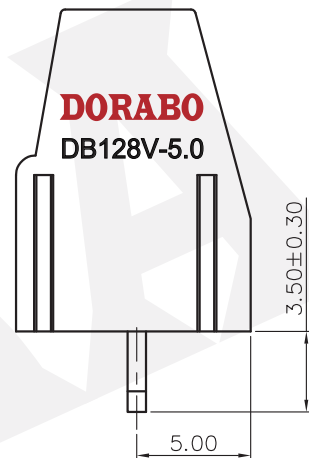
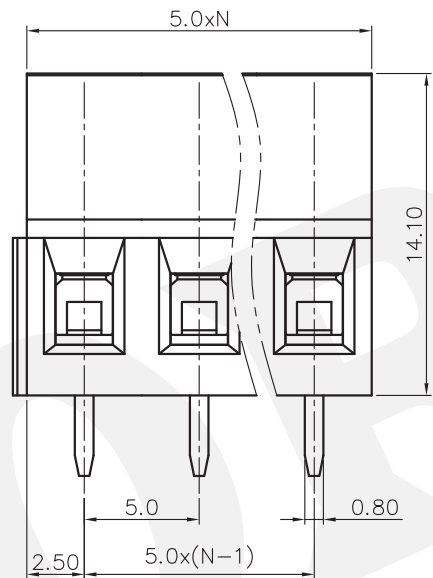
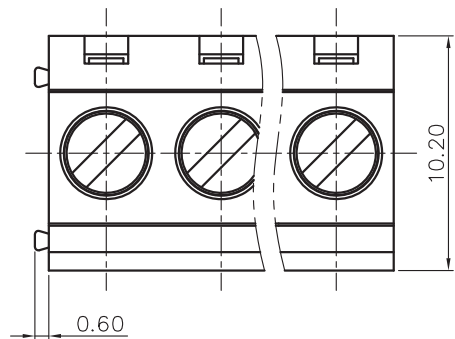


| REVISION RECORD | | | | |
|-----------------|-----|-------------|------|------|
| REV | ECN | DESCRIPTION | DRFT | DATE |



PCB LAYOUT

NOTES1:

- UL Standard
 1. Rated voltage/current : 300V / 20A
 2. Torque value : M2.5 , 3.54Lb.in
 3. Wire range : 30~12AWG

IEC Standard

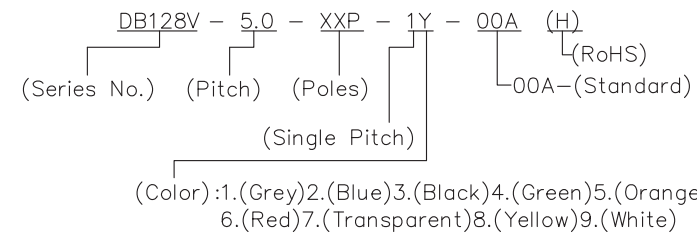
1. Rated voltage/current : 250V / 18A
 2. Torque value : M2.5 , 0.4N·m
 3. Wire range : 2.5mm²

NOTES2:

1. Dimension shall be interpreted per ASME Y14.5-2009
 2. Pitch : 5.0mm, Poles : N=02~XXP
 3. Stripping length : 6~7mm
 4. Withstanding voltage : AC2000V/1Min
 5. Operating temperature: -40°C~+105°C
 6. Undimensioned tolerances:

| Pitch range in mm | Nominal dimension range in mm | | | | | | - / / |
|-------------------|-------------------------------|---------------|---------------|---------------|----------------|-----------------|-------|
| | Over 6 TO 6 | Over 10 TO 10 | Over 24 TO 30 | Over 30 TO 60 | Over 60 TO 100 | Over 100 TO 150 | |
| ±0.15 | ±0.20 | ±0.30 | ±0.30 | ±0.50 | ±0.70 | ±1.00 | ±1.30 |
| | | | | | | | ±2* |

7. RoHS Compliance



| | | | | | |
|------------------------|-----------|--|----------------------|-------|-----|
| DETACHED LISTS | PART NO.: | DORABO 慈溪市地博电子有限公司 CIXI DORABO ELECTRONICS CO.,LTD | | | |
| | APPD: | NAME: DB128V-5.0-XXP-1Y-00A(H) | | | |
| | CHKD: | TITLE: CUSTOMER DRAWING | | REV | DO |
| | DRFT: | DRAWING NO.: | | SHEET | 1/1 |
| THIRD ANGLE PROJECTION | | MM (INCH) | DO NOT SCALE DRAWING | SCALE | 1:1 |