

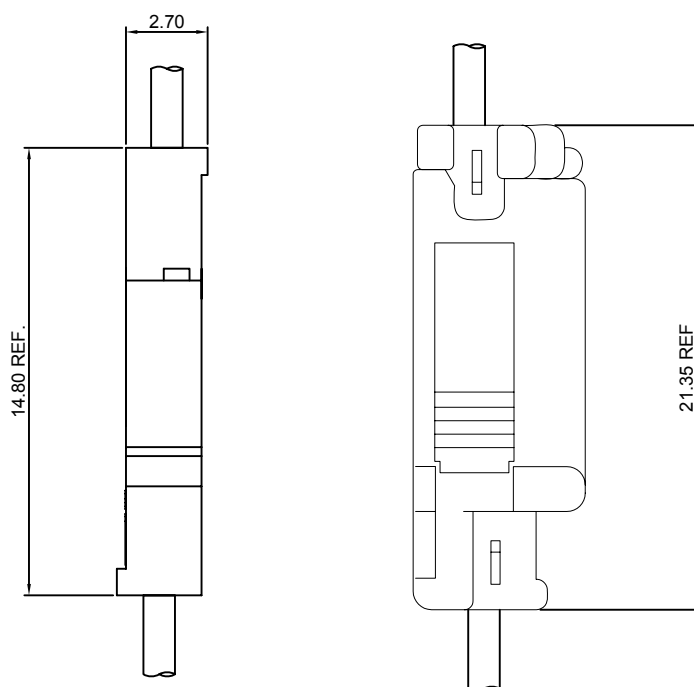
Specifications

- Current rating: 2A AC, DC
- Voltage rating: 125V AC, DC
- Temperature range: -40°C ~ +105°C
- Contact resistance: 20mΩ Max.
- Insulation resistance: 1000MΩ Min.
- Withstanding voltage: 500V AC/minute
- *Compliant with RoHS and REACH*
- *Meet the HF/Halogen Free, need to customize*
- *Contact CJT for details*

Standards



Assembly layout

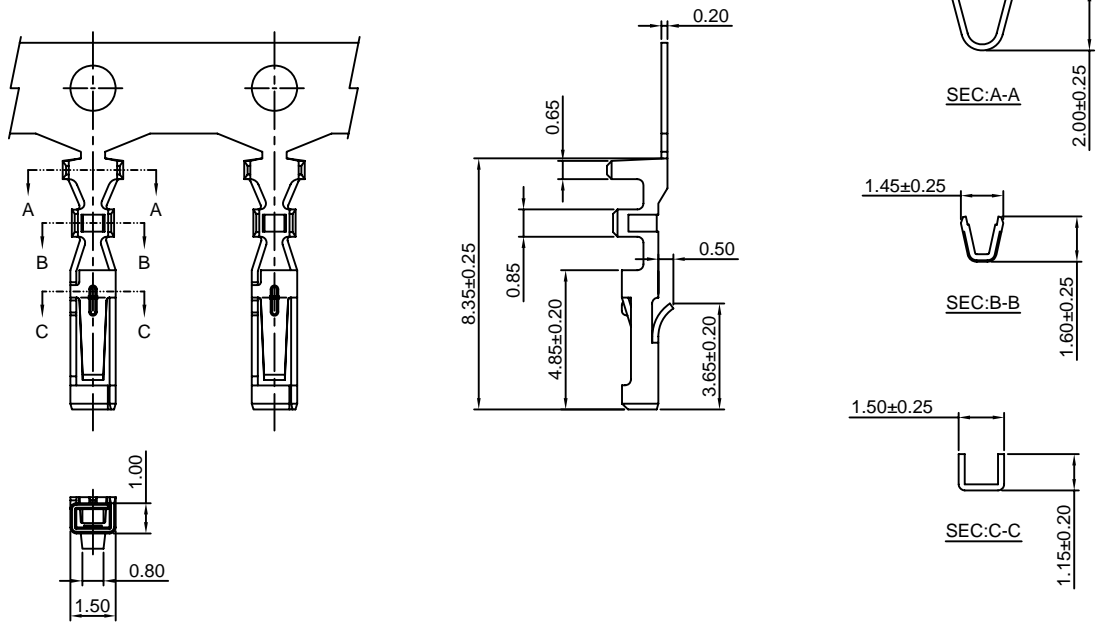


C2003F-T

2.00mm pitch Crimp Terminal

Reference Informations:

*Used in CJT C2003HF-XP series Housing



Ordering information & Specifications:

Unit:mm

Part NO.	Wire Range	Insulation O.D.	Material	Finish	Qty/reel
C2003F-TP	AWG#24-#28	1.15mm(max)	Phosphor Bronze	Tin over Nickel	10,000 PCS
C2003F-GP	AWG#24-#28	1.15mm(max)	Phosphor Bronze	Gold over Nickel	10,000 PCS

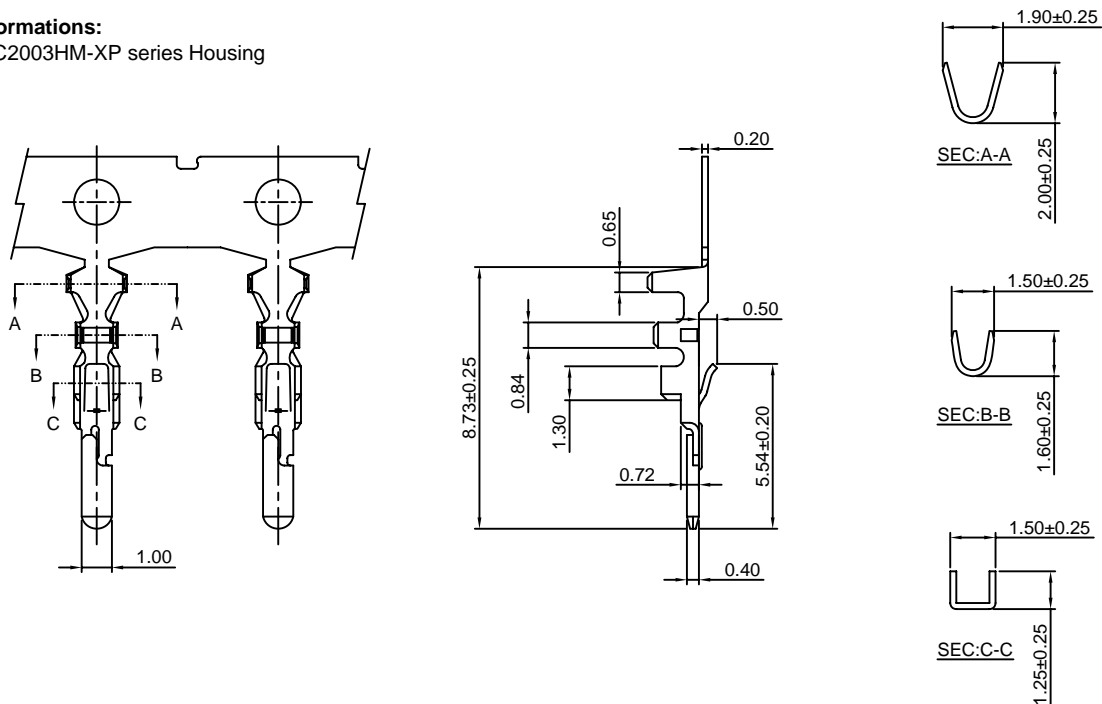
Optional Gold plating available but MOQ requested

C2003M-T

2.00mm pitch Crimp Terminal

Reference Informations:

*Used in CJT C2003HM-XP series Housing



Ordering information & Specifications:

Unit:mm

Part NO.	Wire Range	Insulation O.D.	Material	Finish	Qty/reel
C2003M-TP	AWG#24-#28	1.15mm(max)	Phosphor Bronze	Tin over Nickel	10,000 PCS
C2003M-GP	AWG#24-#28	1.15mm(max)	Phosphor Bronze	Gold over Nickel	10,000 PCS

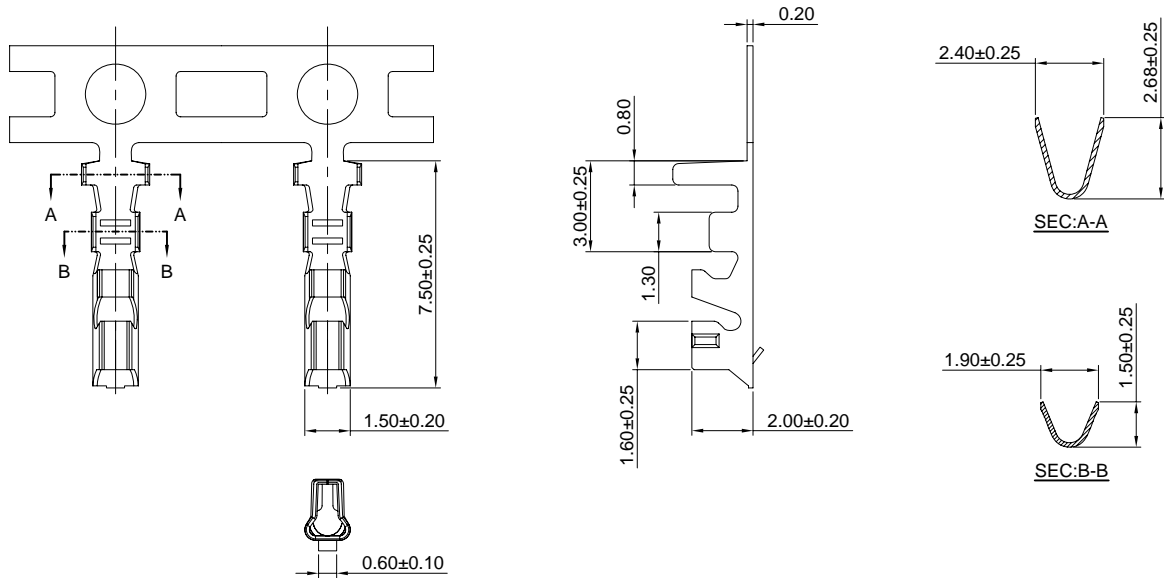
Optional Gold plating available but MOQ requested

C2003FB-T

2.00mm pitch Crimp Terminal

Reference Informations:

*Used in CJT C2003HFB-XP series Housing



Ordering information & Specifications:

Unit:mm

Part NO.	Wire Range	Insulation O.D.	Material	Finish	Qty/reel
C2003FB-TP	AWG#22-#26	1.50mm(max)	Phosphor Bronze	Tin over Nickel	8,000 PCS
C2003FB-GP	AWG#22-#26	1.50mm(max)	Phosphor Bronze	Gold over Nickel	8,000 PCS

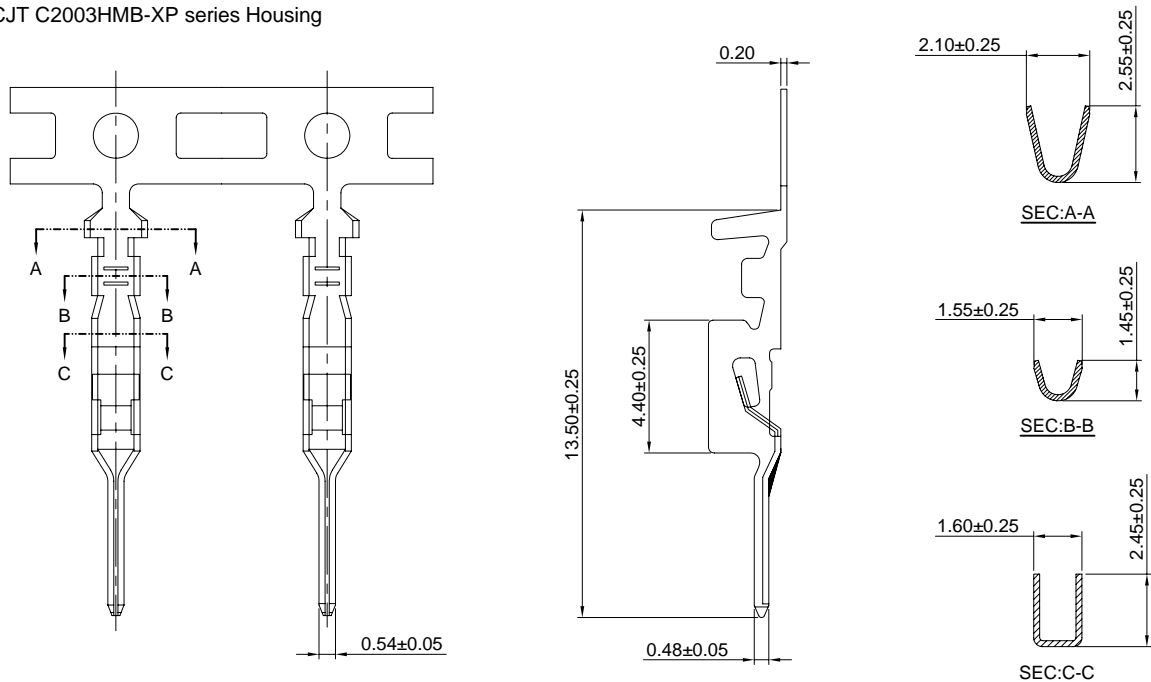
Optional Gold plating available but MOQ requested

C2003MB-T

2.00mm pitch Crimp Terminal

Reference Informations:

*Used in CJT C2003HMB-XP series Housing



Ordering information & Specifications:

Unit:mm

Part NO.	Wire Range	Insulation O.D.	Material	Finish	Qty/reel
C2003MB-TP	AWG#22-#26	1.50mm(max)	Phosphor Bronze	Tin over Nickel	8,000 PCS
C2003MB-GP	AWG#22-#26	1.50mm(max)	Phosphor Bronze	Gold over Nickel	8,000 PCS

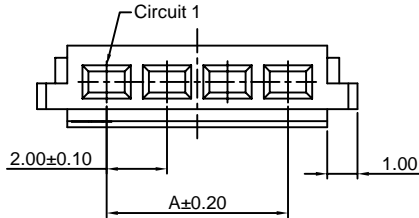
Optional Gold plating available but MOQ requested

C2003HF-XP

2.00mm Pitch Housing

Reference Informations:

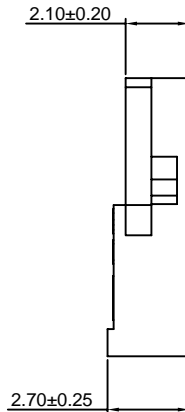
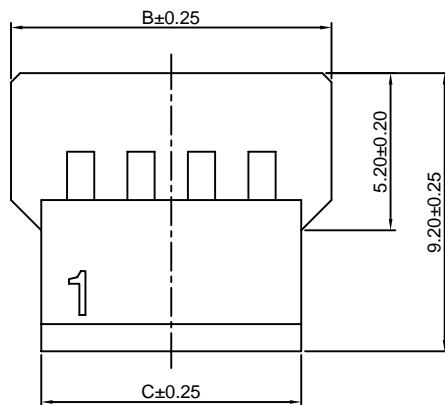
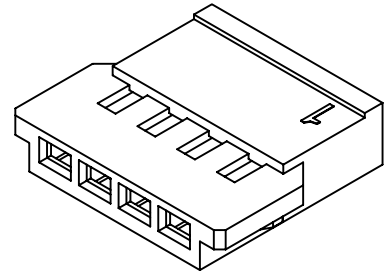
- *Material:Nylon 66,UL94V-0
- *Suitable CJT C2003F-T series Terminal
- *Mates with CJT C2003HM-XP series Housing
- *Color:White



Ordering Information:

C2003HF-XP - ***
1 2

- 1.Part No.
- 2.Material:
(blank):Nylon 66,UL94V-0
GWT:Nylon 66,UL94V-0,GWT 750°C



Ordering Information & Dimensions:

PART NO.	Dimensions		
	A	B	C
2P	2.00	6.60	4.60
3P	4.00	8.60	6.60
4P	6.00	10.60	8.60
5P	8.00	12.60	10.60
6P	10.00	14.60	12.60
7P	12.00	16.60	14.60
8P	14.00	18.60	16.60
9P	16.00	20.60	18.60
10P	18.00	22.60	20.60
11P	20.00	24.60	22.60
12P	22.00	26.60	24.60
13P	24.00	28.60	26.60

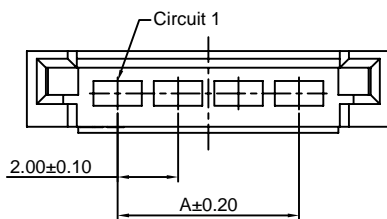
Unit: mm

C2003HM-XP

2.00mm Pitch Housing

Reference Informations:

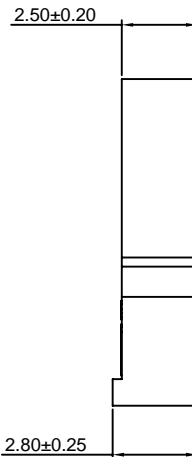
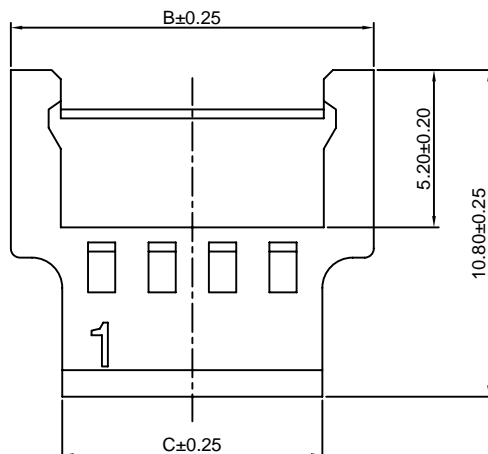
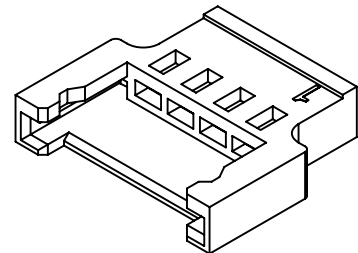
- *Material:Nylon 66,UL94V-0
- *Suitable CJT C2003M-T series Terminal
- *Mates with CJT C2003HF-XP series Housing
- *Color:White



Ordering Information:

C2003HM-XP - ***
1 2

- 1.Part No.
- 2.Material:
(blank):Nylon 66,UL94V-0
GWT:Nylon 66,UL94V-0,GWT 750°C



Ordering Information & Dimensions:

PART NO.	Dimensions		
	A	B	C
2P	2.00	8.00	4.60
3P	4.00	10.00	6.60
4P	6.00	12.00	8.60
5P	8.00	14.00	10.60
6P	10.00	16.00	12.60
7P	12.00	18.00	14.60
8P	14.00	20.00	16.60
9P	16.00	22.00	18.60
10P	18.00	24.00	20.60
11P	20.00	26.00	22.60
12P	22.00	28.00	24.60
13P	24.00	30.00	26.60

Unit: mm

C2003HFB-XP

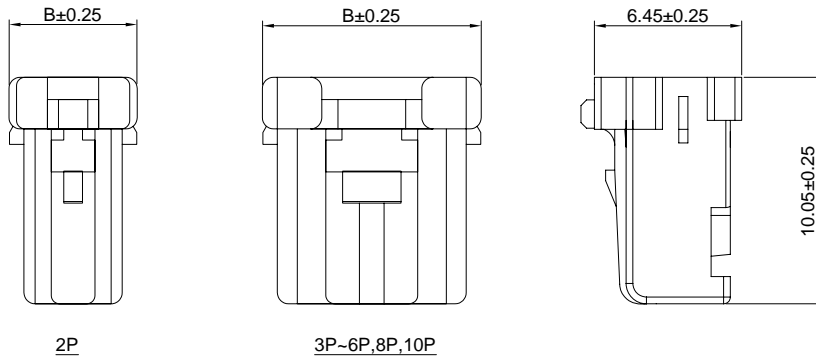
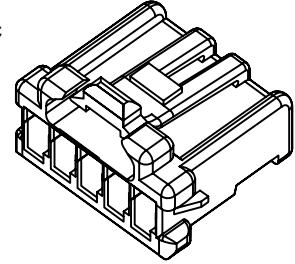
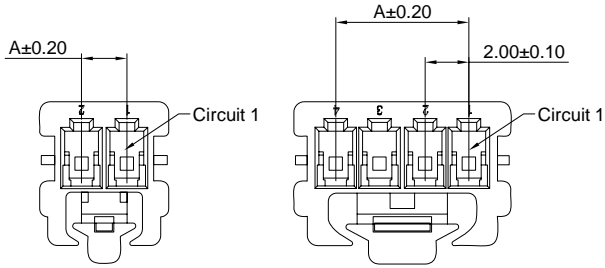
2.00mm Pitch Housing

Reference Informations:

- *Material:Nylon 66,UL94V-0
- *Suitable CJT C2003FB-T series Terminal
- *Mates with CJT C2003HMB-XP series Housing and C2003SB-XP series Seal
- *Color:White

Ordering Information:

- C2003HFB-XP - ***
- | | |
|---|---|
| 1 | 2 |
|---|---|
- 1.Part No.
2.Material:
(blank):Nylon 66,UL94V-0
GWT:Nylon 66,UL94V-0,GWT 750°C



Ordering Information & Dimensions:

PART NO.	Dimensions	
	A	B
2P	2.00	5.70
3P	4.00	7.70
4P	6.00	9.70
5P	8.00	11.70
6P	10.00	13.70
8P	14.00	17.70
10P	18.00	21.70

Unit: mm

C2003HMB-XP

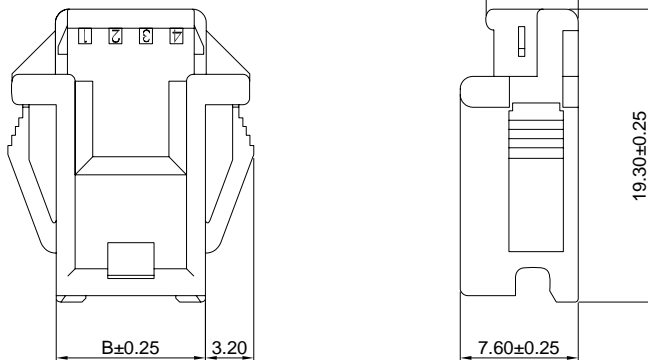
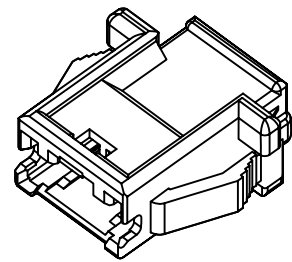
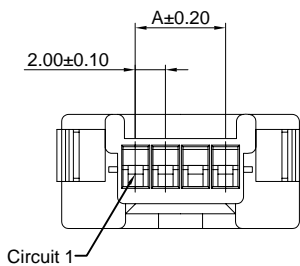
2.00mm Pitch Housing

Reference Informations:

- *Material:Nylon 66,UL94V-0
- *Suitable CJT C2003MB-T series Terminal
- *Mates with CJT C2003HFB-XP series Housing and C2003SB-XP series Seal
- *Color:White

Ordering Information:

- C2003HMB-XP - ***
- | | |
|---|---|
| 1 | 2 |
|---|---|
- 1.Part No.
2.Material:
(blank):Nylon 66,UL94V-0
GWT:Nylon 66,UL94V-0,GWT 750°C



Ordering Information & Dimensions:

PART NO.	Dimensions	
	A	B
2P	2.00	6.00
3P	4.00	8.00
4P	6.00	10.00
5P	8.00	12.00
6P	10.00	14.00
8P	14.00	18.00
10P	18.00	22.00

Unit: mm

C2003SB-XP

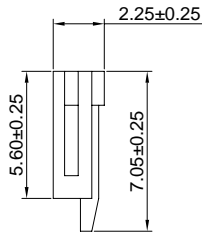
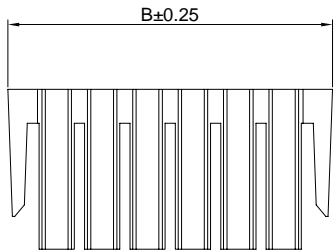
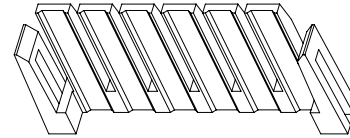
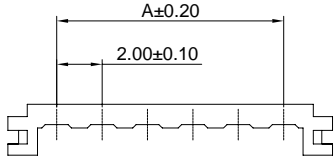
2.00mm Pitch Seal

Reference Informations:

- *Material:Nylon 66,UL94V-2
- *Mates with CJT C2003HFB,HMB-XP series Housing
- *Color:White

Ordering Information:

- C2003SB-XP - ***
- | | |
|---|---|
| 1 | 2 |
|---|---|
- 1.Part No.
 - 2.Material:
 - (blank):Nylon 66,UL94V-2
 - V0:Nylon 66,UL94V-0
 - GWT:Nylon 66,UL94V-0,GWT 750°C



Ordering Information & Dimensions:

PART NO.	Dimensions	
	A	B
2P	2.00	6.30
4P	4.00	10.30
6P	6.00	14.30
8P	8.00	18.30
10P	10.00	22.30

Unit: mm