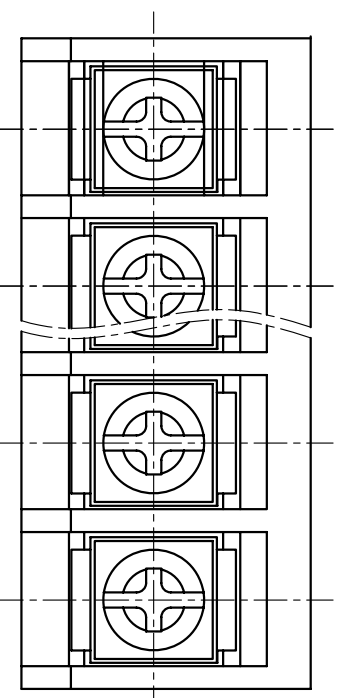
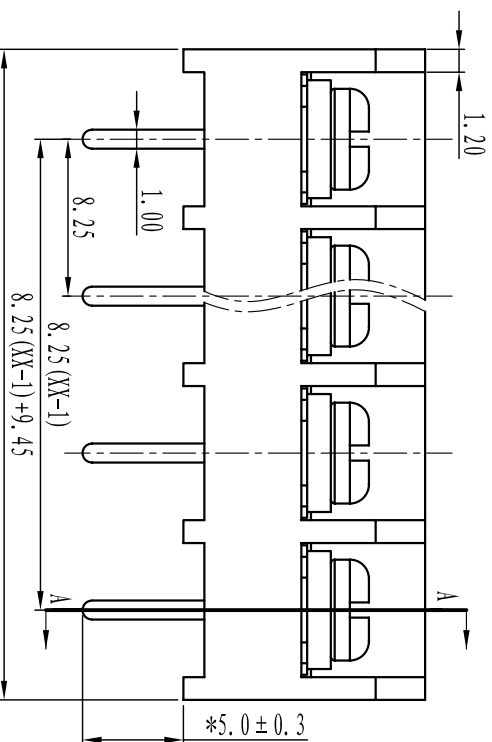


DORABO[®] Cixi Dibo Electronics Co., LTD

产品规格书
product specification



TOLERANCES EXCEPT AS NOTED

	linear dimension	fillet	chamfer	short angle sid	≡	—	//	⊥
variable	over 6 to 30	over 30 to 120	over 120 to 480	all to 6	over 6 to 10	over 10 to 50	over 50 to 120	over 120 to 120
tolerance	±0.1 to 6	±0.2 to 30	±0.3 to 120	±0.5 to 480	±0.9 to 480	±0.2 to 6	±0.5 to 10	±1 to 10
					1° to 30'	30' to 20'	10' to 0.5	0.5 to 0.025
							0.06 to 0.12	0.4 to 0.4

电气性能/Electrical

参考标准/Standard: UL IEC
 额定电压/Rated voltage: 300V 450V
 额定电流/Rated current: 20A 32A
 使用线径/Wire range: 22-12AWG 4.0mm²
 耐电压/Withstanding voltage: AC2000V/1Min
 绝缘电阻/Insulation resistance: 500M Ω /DC500V

机械性能/Mechanical

温度范围/Temp.Range: -40° ~ +105°
 最大锁紧力矩/Max.Torque: 0.5Nm (4.5lb. in)

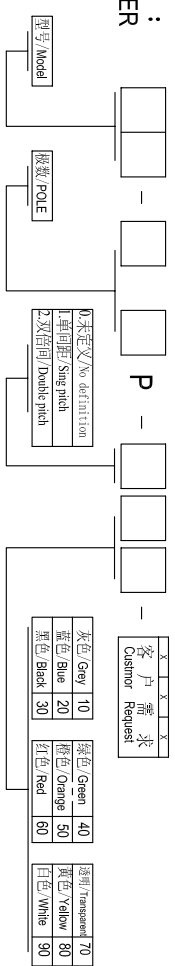
尺寸/Dimensions

间距/Pitch: 8.25mm
 极数/Poles: 2P-2IP

材料及电镀/Material

塑件/Housing: PA66, UL94V-0
 螺丝/Screws: M3, steel Nickel plated
 焊脚/Pin header: Brass, 0.8, Tin plated

订购方式: HOW TO ORDER



单位/UNITS	mm	尺寸/SIZE	A4	比例/SCALE	
Cixi Dibo Electronics Co., LTD					
名称/NAME					第一视角/FIRST ANGLE PROJECTION
					DBT50-8.25