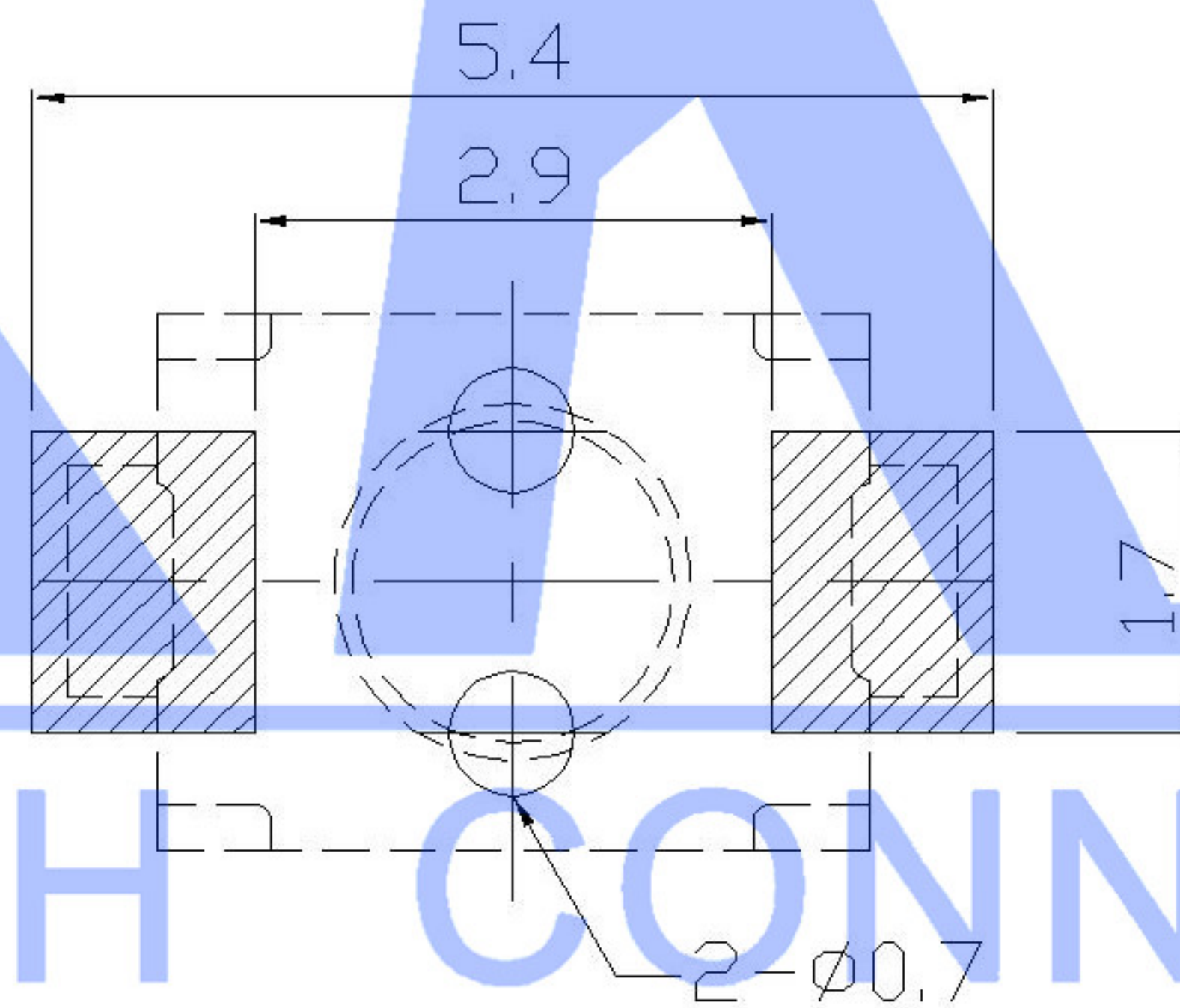
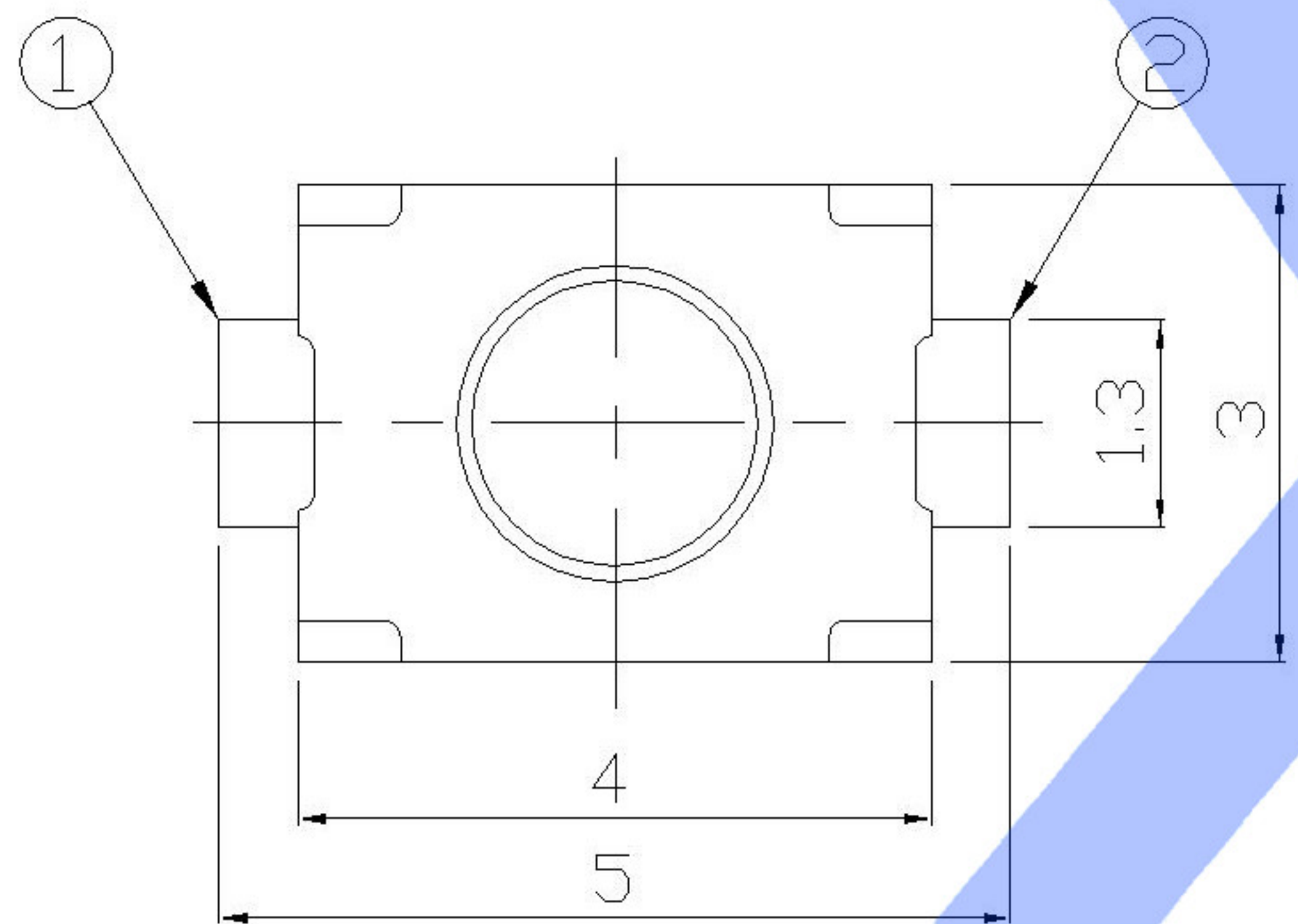


**SPECIFICATION**

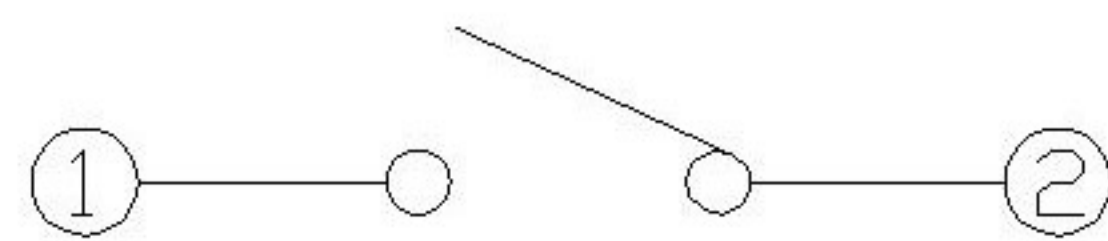
**Contact Rating:** 50mA,12V DC  
**Contact Resistance:** 100mΩ max  
**Insulation Resistance:** 100mΩ min.500V DC  
**Dielectric Strength:** 250V AC/1minute  
**Travel:** 0.13mm  
**Operating Temp:** -30°C~+85°C  
**Storage Temp:** -30°C~+80°C

**P.C.B MOUNTING PATTERN DIMENSION**  
 The following soldering patterns are recommended for reflow soldering



PAPT NO	TS-1185-X-X-X-A
Operating Force	A:100gf B:160gf C:260gf
Height	H:A:2.0 B:2.5
Fixed column	A:With B:Without
Keystake	A:PA46 B:Silica gel

CIRCUIT DIAGRAM



⑤	Terminal	—	2	Brass (0.30t)	Plating silvering	—
④	Contact	—	1	F.ag/Sus	Natural	—
③	Base	—	1	Lcp		—
②	Cover	—	1	Brass	Plating Nickel	—
①	Keystake	—	1	Lcp		—
ITEM	PAPT NAMF	TER,NO	QTY	MATERIAL	FINISHING	REMARK

**SWITCH CONNECTOR**

DSND		DATE		SCALE: N/A	MODEL TYPE: <b>TACT SWITCH</b>
DWN		DATE		VIEW:	PART NO.:
CHKD		DATE		UNIT: mm	DWG NO.:
APPD		DATE		SIZE: A4	<b>TS-1185-X-X-X-A</b>
				<b>XKB INDUSTRIAL PRECISION CO.,LIMITED</b>	WEIGHT 1.0g
					SHEET 1/1
					REVISION A0

					units: mm
Δx					tolerance: X.X ±0.2mm
Δx					X.XX ±0.1mm
Δx					X.XXX ±0.05mm
MARK	DESCRIPTION	DATE	REVISED	APPROVED	UNSPECIFIED TOLERANCES
REVISIONS					
www.xk-dg.cn www.helloxkb.com www.helloxkb.cn					