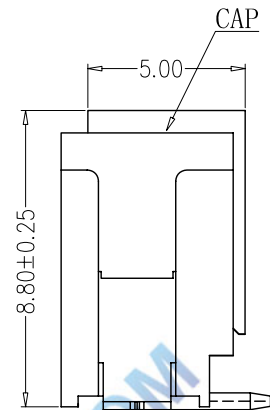
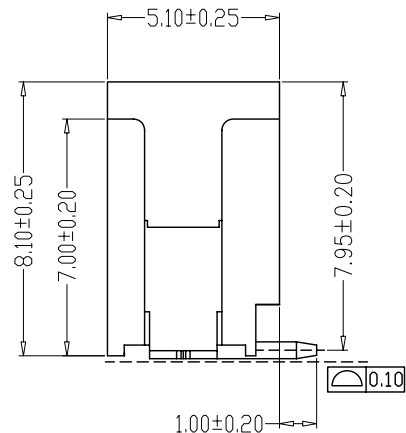
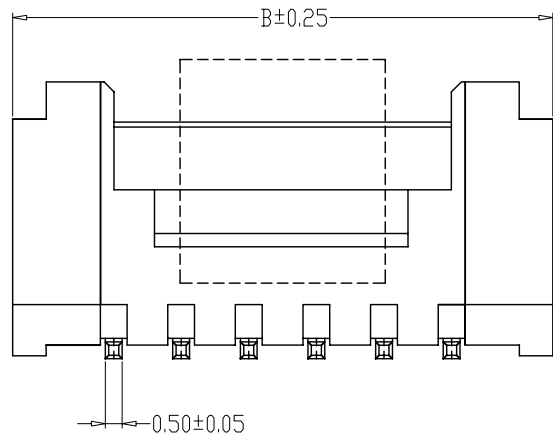


环保物料

TEL: 0769-82001899

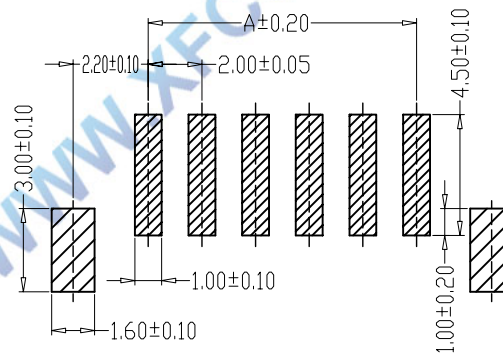
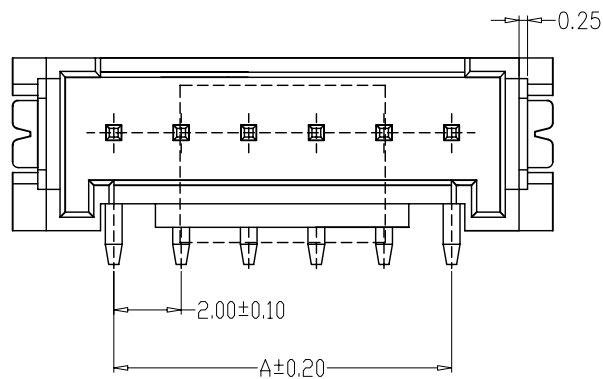


SPECIFICATIONS

1. Voltage rating: 250V AC, DC
 2. Current rating: 2A, AC, DC
 3. Withstanding Voltage: 1000V AC/minute
 4. Insulation resistance: 1000M min
 5. Temperature range: -25 °C-+85 °C
 6. Contact resistance: 20m max
- WAFER

Housing Material: PA9T UL 94V0
 Pin Material: Phosphor Bronze or Brass
 Contact Area Plating: Plated Tin or Plated Gold
 Mates with :P2016 series Housing
 Poles:02-16P
 Part No.: M2016VS-xx-9T-R

R=卷装 无=管装
 Pin位数



PCB LAYOUT

编号	尺寸 (mm)	
	A	B
02	2.00	8.00
03	4.00	10.00
04	6.00	12.00
05	8.00	14.00
06	10.00	16.00
07	12.00	18.00
08	14.00	20.00
09	16.00	22.00
10	18.00	24.00
11	20.00	26.00
12	22.00	28.00
20	38.00	44.00

WWW.XFCNN.COM

TOLERANCE UNLESS OTHERWISE				DRAWN	CK tan
X.	±0.30	X°	±5°	CHKD	
.X	±0.20	.X°	±2°	APPD	
.XX	±0.08	.XX°	±1°	VIEW	⊕
.XXX	±0.03	.XXX°	±0.5°		

XFCN 兴飞连接器有限公司
 CONNECTORS XFCN CONNECTORS CO., LTD.

PRODUCT NAME: 2.00mm Crimp Style Connectors
 PART. NO.: M2016VS-xx-9T-R

SHEET	1/1
DATE	2010. 4. 12
UNITS	mm
SCALE	1:1
DWG. NO.	009

A0
VER

MODIFICATION

DRAW

DATE

1 2 3 4 5 6 7 8 9 10