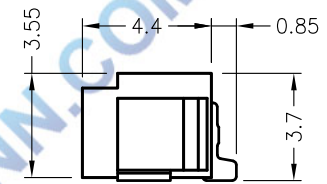
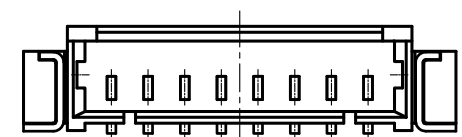
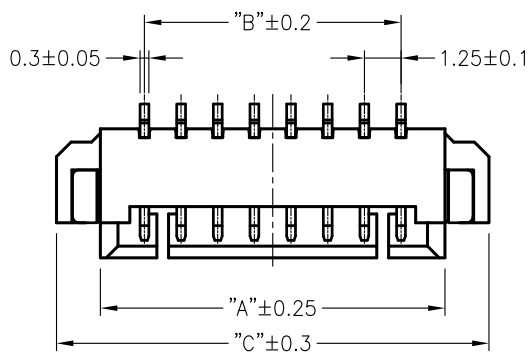


环保物料

TEL:0769-82001899

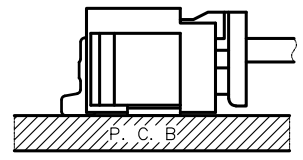
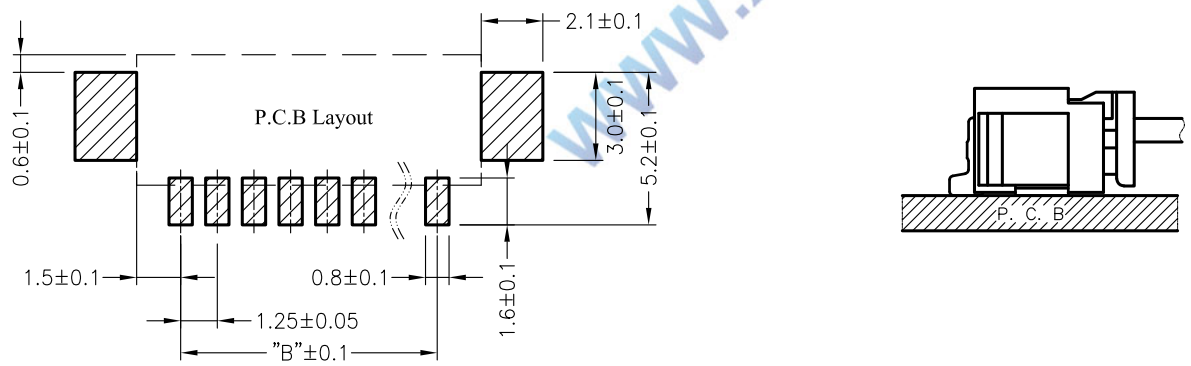
Poles	DIM.A	DIM.B	DIM.C
2P	4.25	1.25	7.3
3P	5.50	2.50	8.5
4P	6.75	3.75	9.8
5P	8.00	5.00	11.0
6P	9.25	6.25	12.3
7P	10.50	7.50	13.5
8P	11.75	8.75	14.8
9P	13.00	10.00	16.0
10P	14.25	11.25	17.3
11P	15.50	12.50	18.5
12P	16.75	13.75	19.8
13P	18.00	15.00	21.0
14P	19.25	16.25	22.3
15P	20.50	17.50	23.5
16P	21.75	18.75	24.8
18P	24.25	21.25	26.0
20P	26.75	23.75	27.3



**SPECIFICATIONS**

- 1.Voltage rating: 125V AC, DC
  - 2.Current rating: 1A, AC, DC
  - 3.Withstanding Voltage: 500V AC/minute
  - 4.Insulation resistance:100M min
  - 5.Temperature range: -25 ° C-+85 ° C
  - 6.Contact resistance: 20m max
- WAFER  
 Housing Material: PA9T UL 94V0  
 Pin Material: Phosphor Bronze or Brass  
 Contact Area Plating: Plated Tin or Plated Gold  
 Mates with :P1250 series Housing  
 Poles:02-20P  
 Part No.: M1250RS-xx-9T-R

R=卷装 无=管装  
 Pin位数



				TOLERANCE UNLESS OTHERWISE		DRAWN	CK tan	<b>XFCN兴飞连接器有限公司</b> CONNECTORS XFCN CONNECTORS CO., LTD.		SHEET	1/1
				X.	±0.30	X°	±5°			CHKD	DATE
				.X	±0.20	.X°	±2°	APPD	PRODUCT NAME	1.25mm Crimp Style Connectors	
				.XX	±0.08	.XX°	±1°	VIEW	PART. NO.	SCALE	1:1
				.XXX	±0.03	.XXX°	±0.5°			M1250RS-xx-9T-R	DWG. NO.
AO	MODIFICATION			DRAW	DATE						