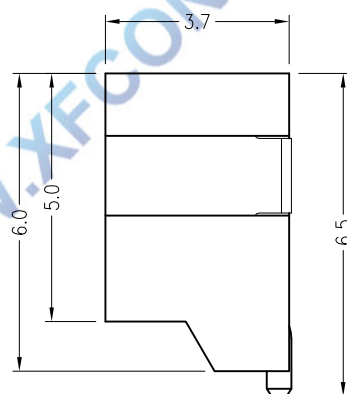
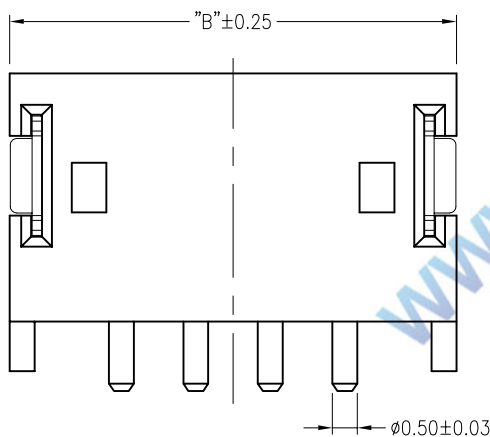
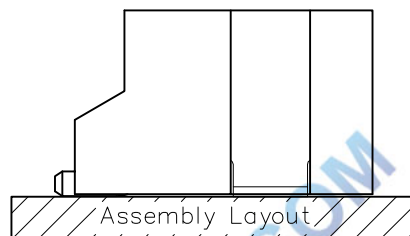
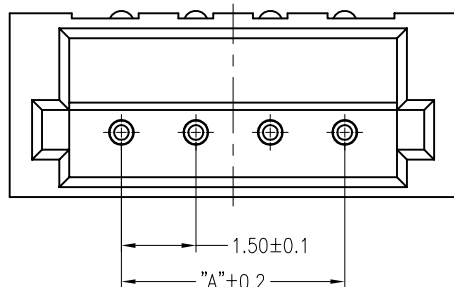


环保物料

TEL: 0769-82001899

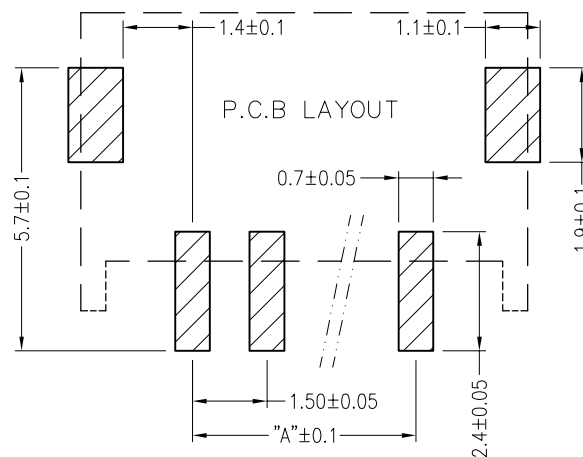
Poles	DIM. A	DIM. B
2	1.5	6.0
3	3.0	7.5
4	4.5	9.0
5	6.0	10.5
6	7.5	12.0
7	9.0	13.5
8	10.5	15.0
9	12.0	16.5
10	13.5	18.0
11	15.0	19.5
12	16.5	21.0
13	18.0	22.5
14	19.5	24.0
15	21.0	25.5
16	22.5	27.0



**SPECIFICATIONS**

- 1.Voltage rating: 100V AC, DC
  - 2.Current rating: 1A, AC, DC
  - 3.Withstanding Voltage: 500V AC/minute
  - 4.Insulation resistance:500M min
  - 5.Temperature range: -25 ° C-+85 ° C
  - 6.Contact resistance: 20m max
- WAFER
- Housing Material: PA9T UL 94V0  
 Pin Material: Phosphor Bronze or Brass  
 Contact Area Plating: Plated Tin or Plated Gold  
 Mates with :P1510 series Housing  
 Poles:02-16P  
 Part No.: M1510RS-xx-9T-R

R=卷装 无=管装  
 Pin位数



				TOLERANCE UNLESS OTHERWISE		DRAWN	CK tan	XFCN兴飞连接器有限公司		SHEET	1/1
				X.	±0.30	X°	±5°	CHKD	CONNECTORS XFCN CONNECTORS CO., LTD.	DATE	2010. 4. 12
				.X	±0.20	.X°	±2°	APPD	PRODUCT NAME	UNITS	mm
				.XX	±0.08	.XX°	±1°		1.50mm Crimp Style Connectors	SCALE	1:1
A0				.XXX	±0.03	.XXX°	±0.5°	VIEW	PART. NO.	DWG NO.	009
VER	MODIFICATION	DRAW	DATE								