

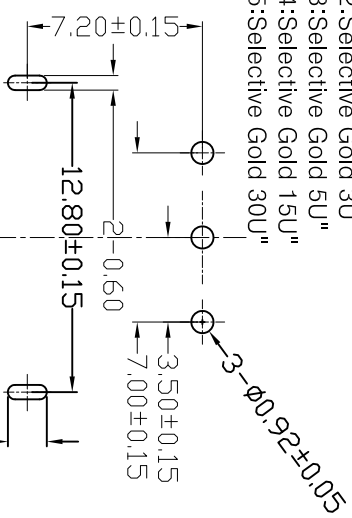
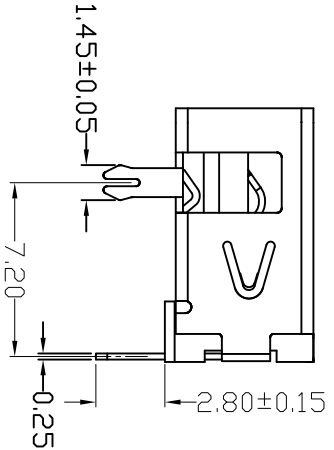
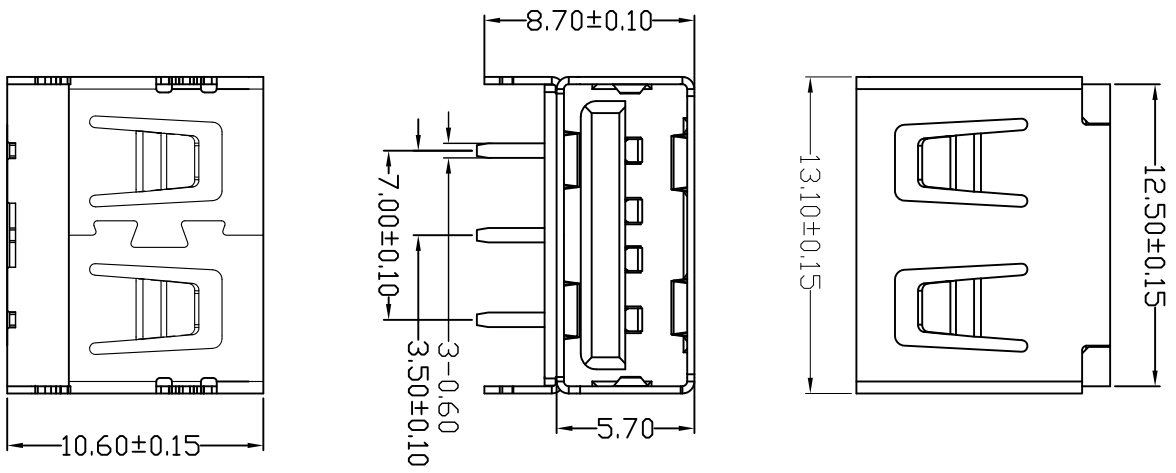
MAPX	MODIFICATION	DATE
------	--------------	------

NOTES:
 1. HOUSING: SEE NOTES, UL94V-0 .
 TERMINAL: SEE NOTES.
 SHELL: SEE NOTES.

SPECIFICATION:
 1. ELECTRICAL CHARACTERISTIC:
 CONTACT RESISTANCE: 30MΩ MAX
 DIELECTRIC WITHSTANDING VOLTAGE: 500V AC FOR 1MIN
 INSULATION RESISTANCE: 1000MΩ MIN
 2. MECHANICAL CHARACTERISTIC:
 INSERTION FORCE: 35N(3.57KGF) MAX
 EXTRACTION FORCE: 10~35N(1.02~3.57KGF)MIN
 DURABILITY: 1500 CYCLES EXTRACTION FORCE:10~35N
 5000 CYCLES MIN

3. ENVIRONMENTAL:
 OPERATING TEMPERATURE: -55°C+85°C
 4. Contact finish:

- 01: Selective Gold Flash
- 02: Selective Gold 3U"
- 03: Selective Gold 5U"
- 04: Selective Gold 15U"
- 05: Selective Gold 30U"



FRONT EDGE OF CONNECTOR
 PCB LAYOUT (T=1.60mm)

深圳市精拓金电子有限公司

产品图
 PRODUCT CHART DWG

公差一览表		公差一览表	
TOLERANCE UNLESS OTHERWISE	公差	TOLERANCE UNLESS OTHERWISE	公差
X ±0.25	X	X ±5°	X
X ±0.20	X	X ±2°	X
XX ±0.15	XX	X ±1°	XX
XXX ±0.10	XXX	X ±0.5°	XXX

单位	MM	制图	Z-Y-B	制图料号	PRODUCT PART NO.
比例	1:1	审核		产品名称	PRODUCT NAME
日期	2014.02.14	核准		角法	VIEW
DATE		APRD		版本	VER
				版本	AD

