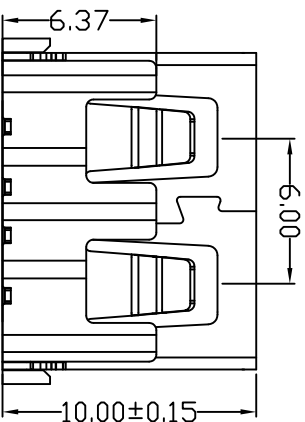
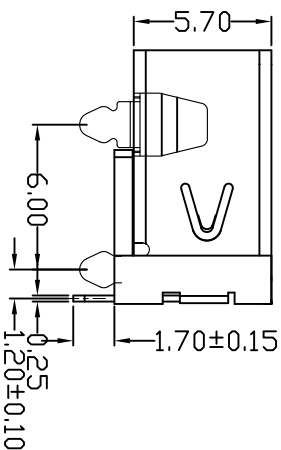
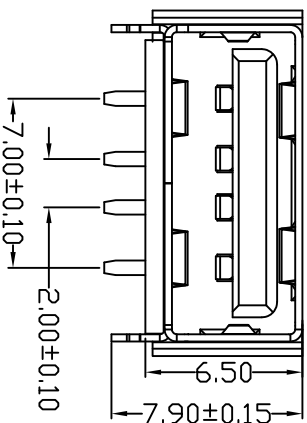
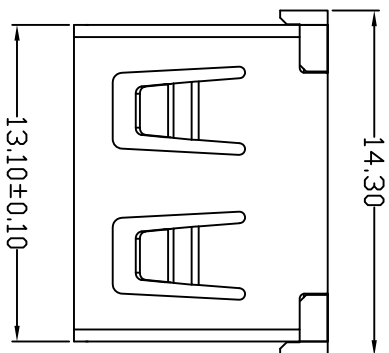


E款，正向10.0四脚，SMT-*6.50

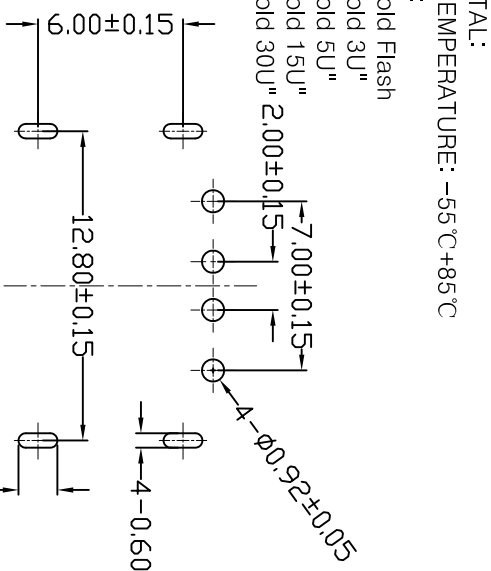


MAPX	MODIFICATION	DATE
------	--------------	------

NOTES:
 1. HOUSING: SEE NOTES, UL94V-0 .
 TERMINAL: SEE NOTES.
 SHELL: SEE NOTES.

SPECIFICATION:
 1. ELECTRICAL CHARACTERISTIC:
 CONTACT RESISTANCE: 30MΩ MAX
 DIELECTRIC WITHSTANDING VOLTAGE: 500V AC FOR 1MIN
 INSULATION RESISTANCE: 1000MΩ MIN
 2. MECHANICAL CHARACTERISTIC:
 INSERTION FORCE: 35N(3.57KGF) MAX
 EXTRACTION FORCE: 10~35N(1.02~3.57KGF)MIN
 DURABILITY: 1500 CYCLES EXTRACTION FORCE:10~35N
 5000 CYCLES MIN

3. ENVIRONMENTAL:
 OPERATING TEMPERATURE: -55°C+85°C
 4. Contact finish:
 01: Selective Gold Flash
 02: Selective Gold 3U"
 03: Selective Gold 5U"
 04: Selective Gold 15U"
 05: Selective Gold 30U" 2.00±0.15



FRONT EDGE OF CONNECTOR
 PCB LAYOUT (T=1.60mm)

产品图
 公差一览表
 PRODUCT CHART DWG

公差一览表	单位	MM	制图	Z-Y-B	制图料号	PRODUCT PART NO.
TOLERANCE UNLESS OTHERWISE	UNITS	MM	DRAWING	Z-Y-B	产品名称	PRODUCT NO.
X: ±0.25	X: ±5°		审核		USB A/F 10.0有边前四脚 (E款)	
X: ±0.20	X: ±2°	1:1	CHKD		角法	版本
XX: ±0.15	XX: ±1°	2014.03.24	核准		VER	AD
XXX: ±0.10	XXX: ±0.5°	DATE	APPR			

深圳市精拓金电子有限公司