

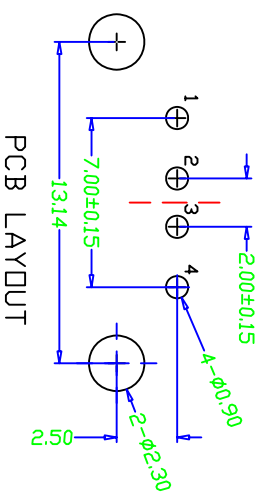
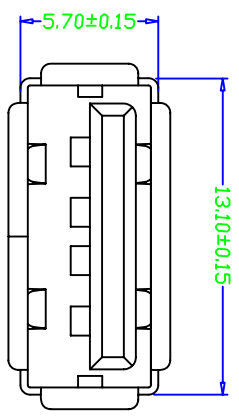
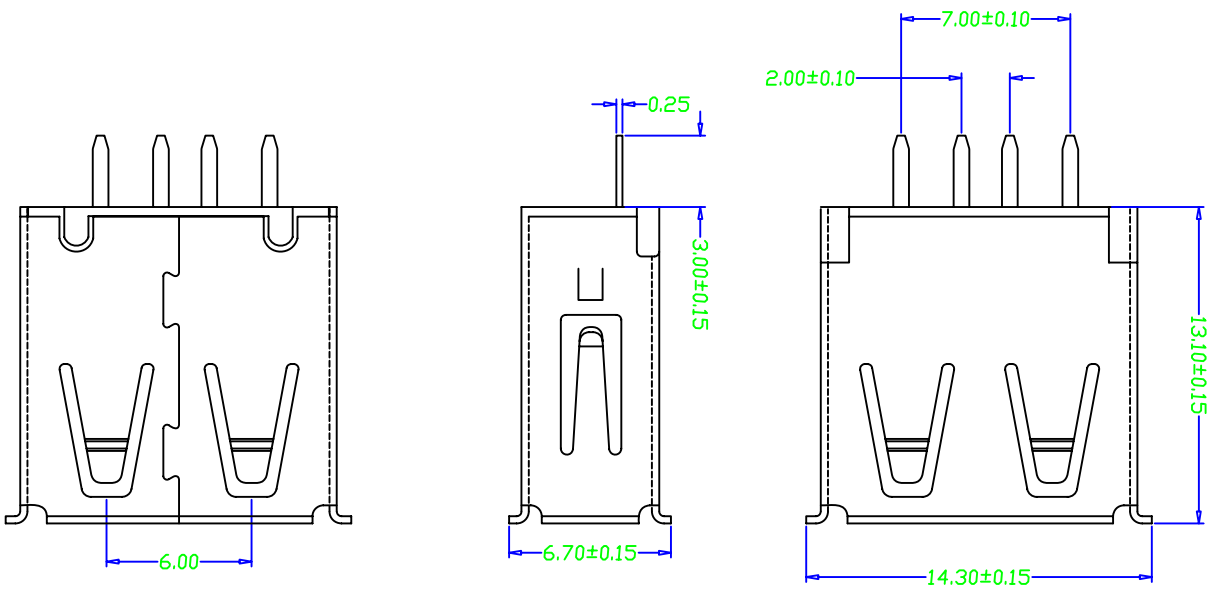
MAPX	MODIFICATION	DATE
------	--------------	------

NOTES:  
 1. HOUSING: SEE NOTES, UJ94V-0.  
 TERMINAL: SEE NOTES.  
 SHELL: SEE NOTES.

SPECIFICATION:

- ELECTRICAL CHARACTERISTIC:  
 CONTACT RESISTANCE: 30MΩ MAX  
 DIELECTRIC WITHSTANDING VOLTAGE: 500V AC FOR 1MIN  
 INSULATION RESISTANCE: 1000MΩ MIN
- MECHANICAL CHARACTERISTIC:  
 INSERTION FORCE: 35N(3.57KGF) MAX  
 EXTRACTON FORCE: 10~35N(1.02~3.57KGF)MIN  
 DURABILITY: 1500 CYCLES EXTRACTON FORCE: 10~35N  
 5000 CYCLES MIN  
 5000 CYCLES EXTRACTON FORCE: 3~35N
- ENVIRONMENTAL:  
 OPERATING TEMPERATURE: -55°C+85°C
- Contact finish:

- Selective Gold Flash
- Selective Gold 3U"
- Selective Gold 5U"
- Selective Gold 15U"
- Selective Gold 30U"



# 深圳市精拓金电子有限公司

## 产品图

公差一览表  
 PRODUCT CHART DWG

TOLERANCE UNLESS OTHERWISE	公差
X. ±0.25	X. ±5°
X. ±0.20	X. ±2°
XX ±0.15	XX ±1°
XXX ±0.10	XXX ±0.5°

单位	MM	制图	Z-Y-B	制料号	
UNITS	MM	DRAWING	Z-Y-B	PRODUCT PART NO.	
比例	1:1	审核		产品名称	USB A/F 180度插板式有边 (13.1)
SCALE	1:1	CHKD		PRODUCT NO.	
日期	2014.07.24	核准		角法	
DATE	2014.07.24	APRD		VER	版本
					AD