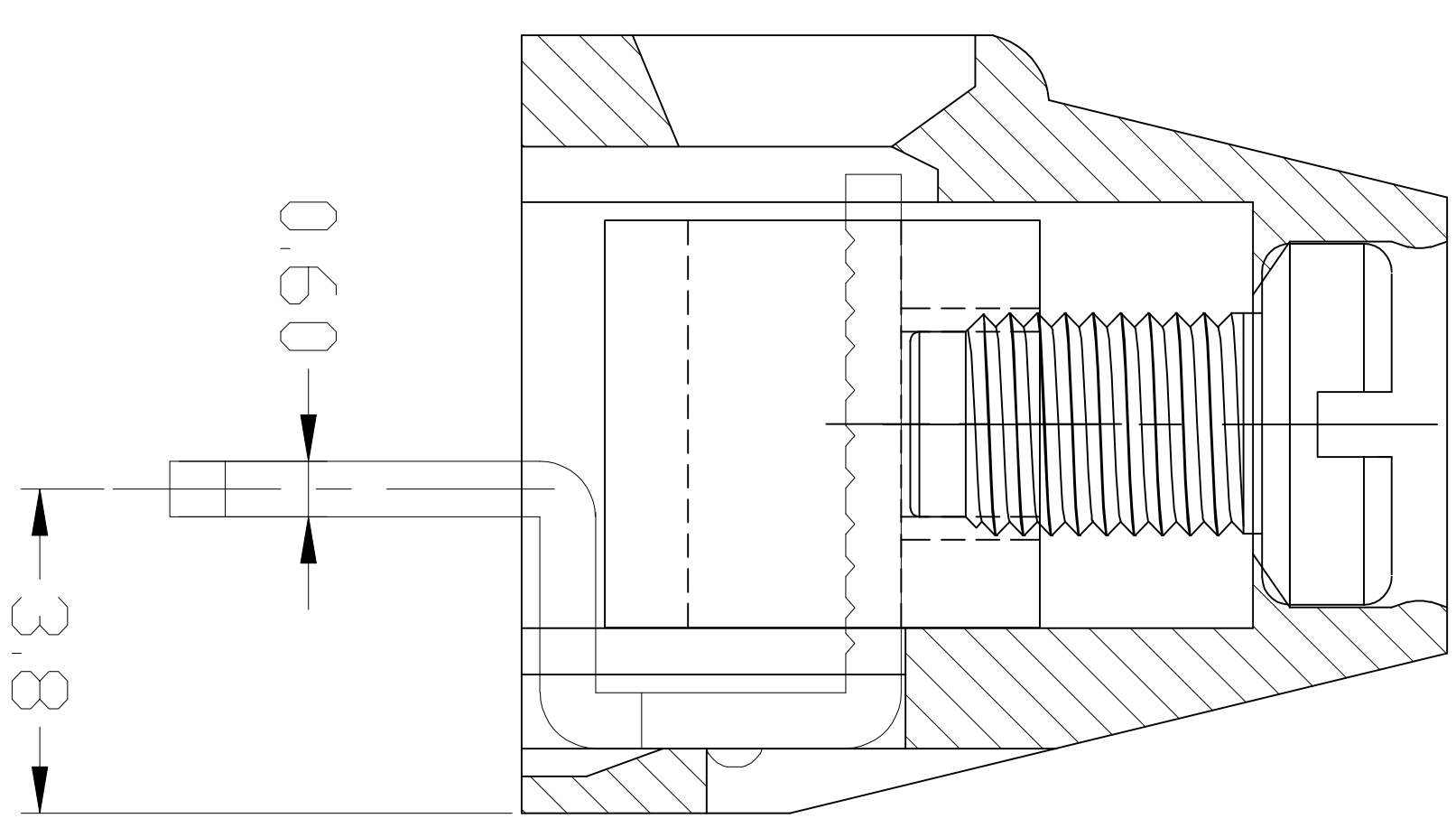
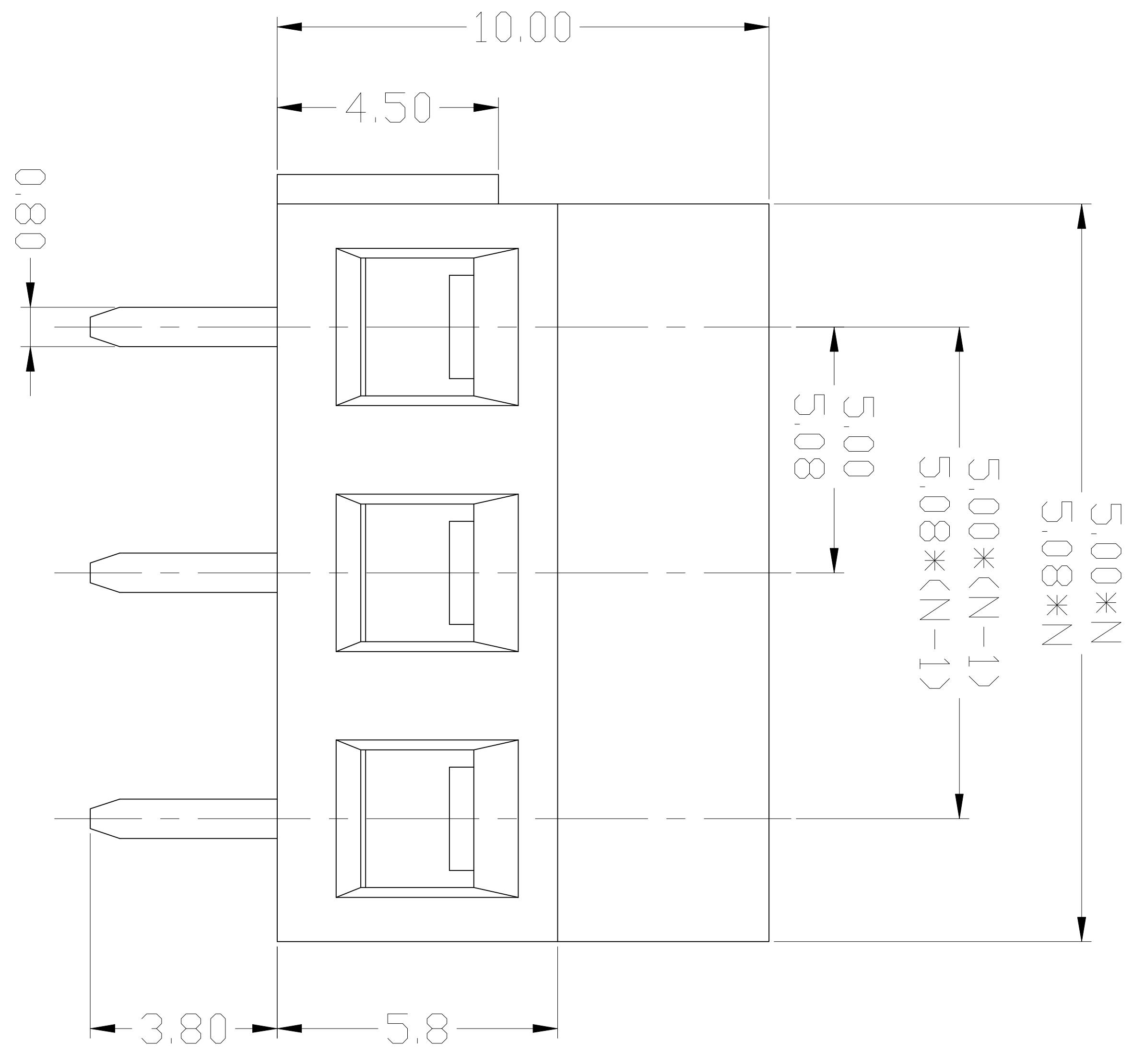
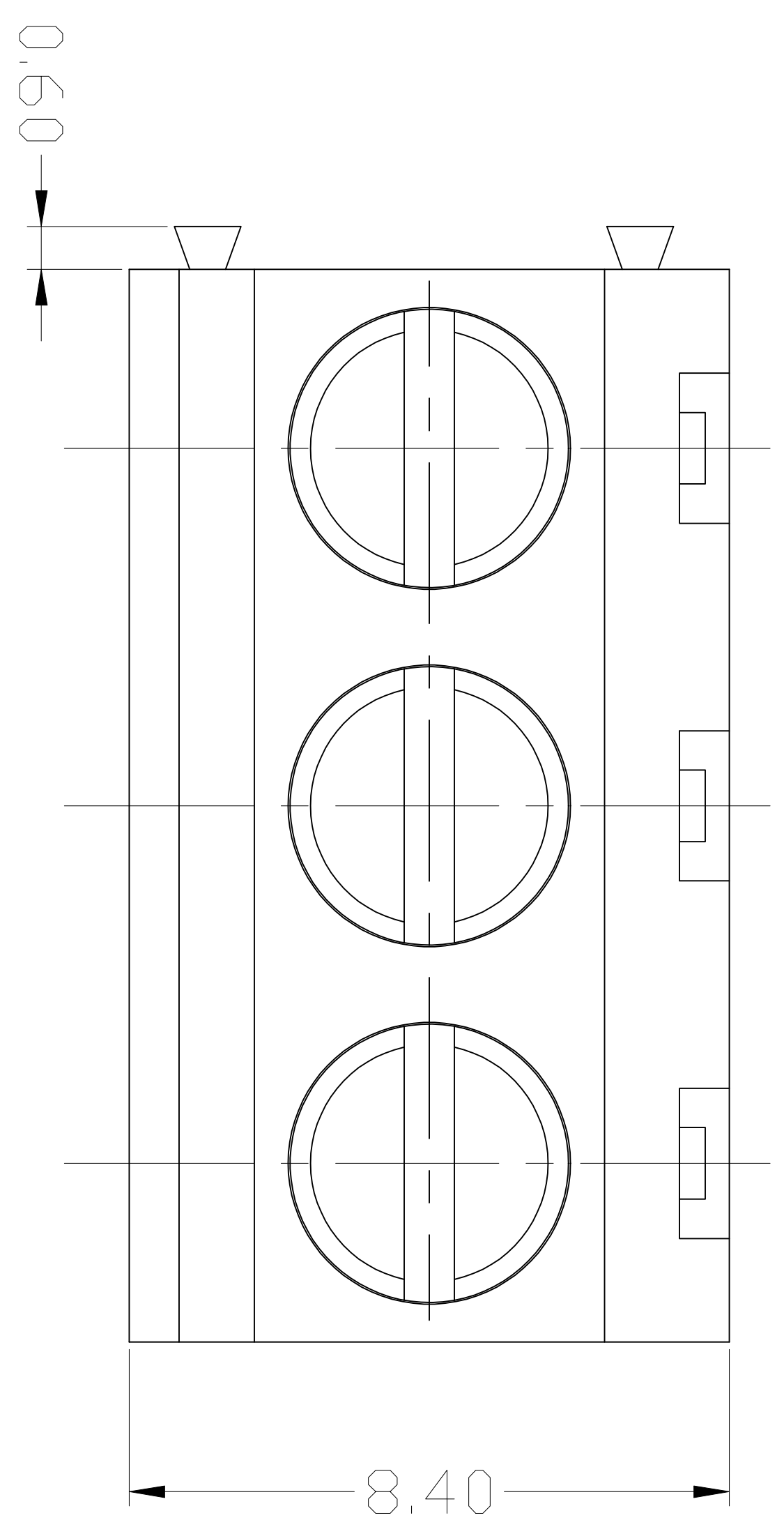


REV.	DESCRIPTION	DRAWN	CHECKED	APPROVED



·MATERIAL
SCREWS: M2.5 COPPER ZINC PLATED
WIRE GUARD: BRASS NI PLATED
PIN HEADER: BRASS, TIN PLATED
HOUSING: PA66, UL94V-0

·ELECTRICAL
RATED VOLTAGE : 300V
RATED CURRENT : 12A
CONTACT RESISTANCE : 20mΩ
INSULATION RESISTANCE : 5000MΩ/1000V
WITHSTANDING VOLTAGE : AC2000V/1Min
WIRE RANGE : 26-14AWG 1.5mm²

·MECHANICAL
TEMP.RANGE : -40°C ~ +105°C
MAX SOLDERING : +250°C, FOR 5 SEC.
TORQUE : 0.5Nm(4.5IB.IN)
STRIP LENGTH : 5-6mm

GENERAL TOLERANCE	ANGLE TOLERANCE
X. ±0.60	X. ±5°
.X ±0.38	.X ±3°
.XX ±0.25	.XX ±2°
DRAWING TYPE	CUSTOMER
SCALE	1:1
DRAWING NO.	SHEET 1 OF 1

PROJECTION	TITLE
UNITS	EURO TERMINAL BLOCKS
SHEET SIZE	PITCH5.00,5.08MM
A4	SERIES KF127 SERIES

DF® 慈溪市凯峰电子有限公司
 KAIFENG ELECTRONIC CO.,LTD