

| REV | MODIFICATION | DATE |
|-----|--------------|------|
| | | |

NOTE:

1. Material:

Housing: Thermoplastics, UL94V-0 (ROHS, HF)
 Contact: Phosphor Bronze C5191-EH/C2680-EH, T=0.25mm
 Shell: COPPER ALLOY T=0.30mm

2. FINISH:

Contact: 15u" Gold Plated on Contact Area,
 80u" Min. Tin Plated on Solder Area
 50u" Min. Nickel Underplating Over All.
 Shell: 50u" Min. Nickel Underplating Over All.

3. Specification:

3.1: Rating:
 Rated voltage 500V AC/DC. Rated current: 2 A Max.

3.2: Electrical:

Insulation Resistance(EIA-364-21):
 1000MΩ Min. at 500V/DC for 1Minute.
 Contact Resistance(EIA-364-23):
 30 mΩ Max. at 20mV Max, 50mA

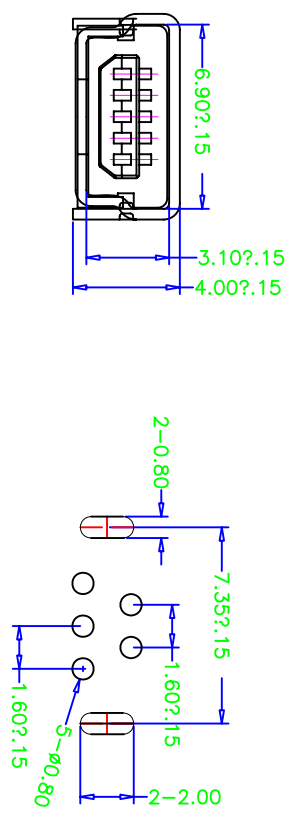
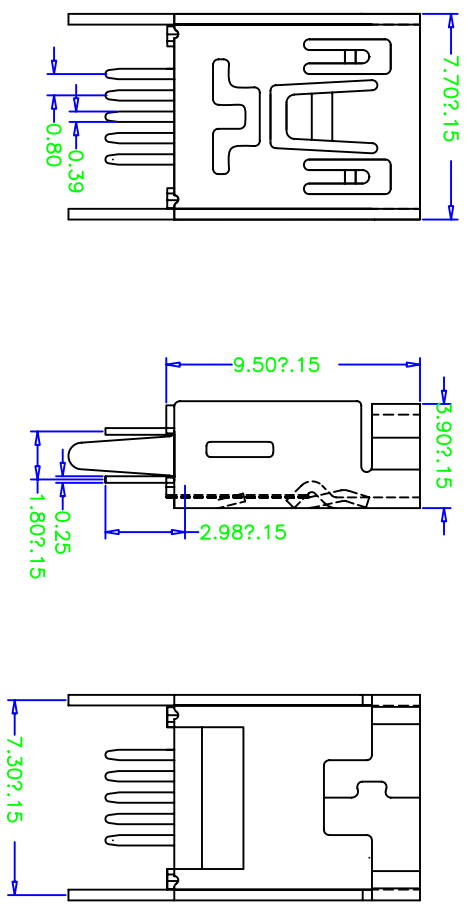
Dielectric Withstanding Voltage(EIA-364-20):
 No discharge, flashover or breakdown at 500V/AC 1minute

4. Plug extraction force shall be between :

INSERTION FORCE: 35N(3.57KGF) MAX
 EXTRACTION FORCE: 10~35N(1.02~3.57KGF) MIN

5. Contact finish:

- 01: Selective Gold Flash
- 02: Selective Gold 3U"
- 03: Selective Gold 5U"
- 04: Selective Gold 15U"
- 05: Selective Gold 30U"



Recommended PCB Layout

产品图
PRODUCT CHART DWG

深圳市精拓金电子有限公司

| 公差一览表 | | 单位 | 制图 | 制图料号 |
|-----------|------------------|------------|---------|--------------------|
| TOLERANCE | UNLESS OTHERWISE | UNITS | DRAWING | PRODUCT PART NO. |
| X | ±0.25 | X | 审核 | MINI USB5P180度直插直脚 |
| X | ±0.20 | X | CHRD | PRODUCT NO. |
| XX | ±0.15 | XX | 核准 | 角法 |
| XXX | ±0.10 | XXX | APPO | 版本 |
| | | DATE | | REV |
| | | 2013.12.20 | | A0 |

G 1 2 3 4 5 6 7 8 9 10