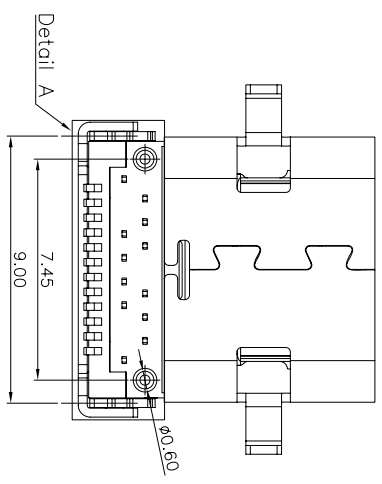
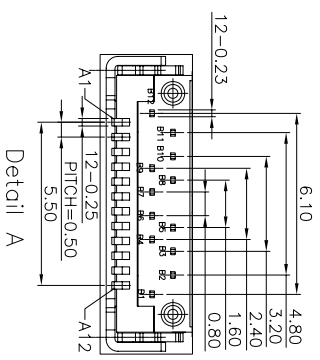
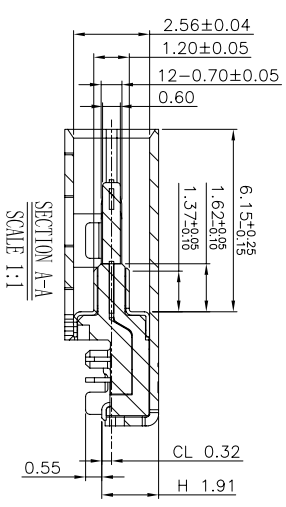
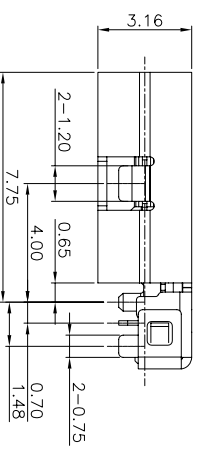
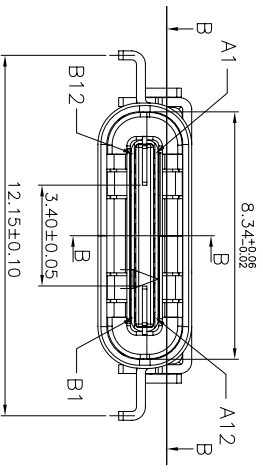
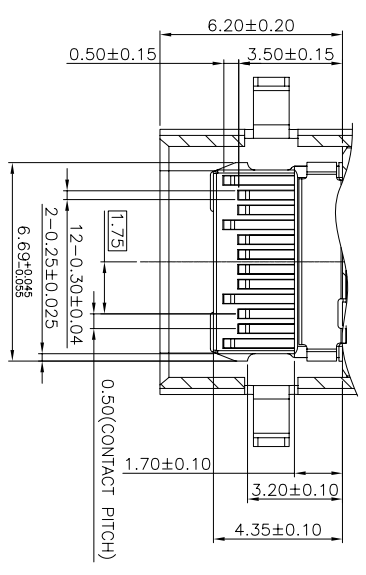
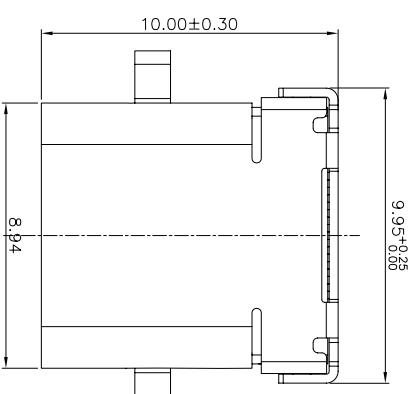


MAPX	MODIFICATION	DATE
------	--------------	------

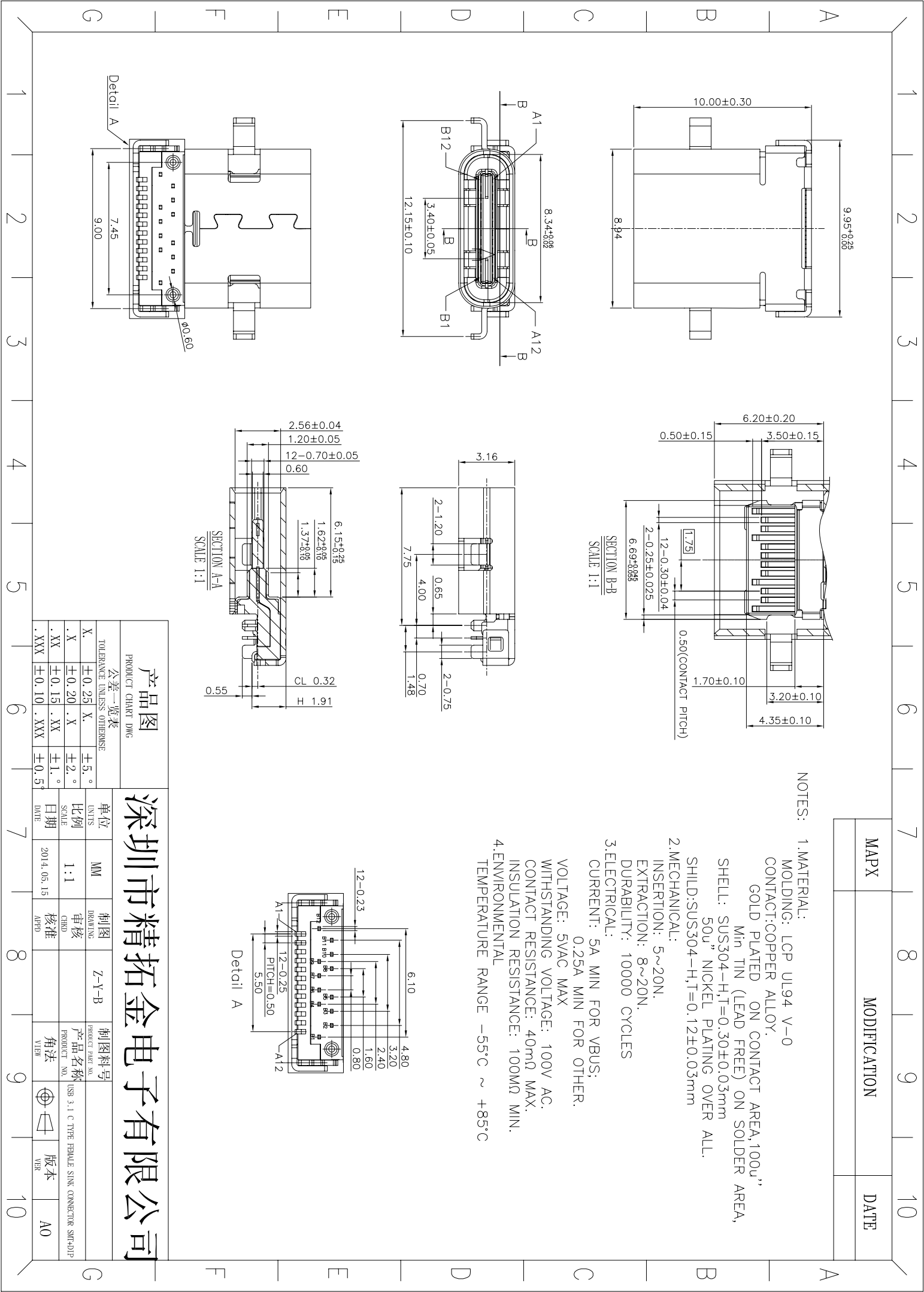


NOTES:

- MATERIAL:
 - MOLDING: LCP UL94 V-0
 - CONTACT: COPPER ALLOY
 - GOLD PLATED ON CONTACT AREA, 1000u"
 - Min TIN (LEAD FREE) ON SOLDER AREA, 50u" NICKEL PLATING OVER ALL.
 - SHILD: SUS304-H, T=0.12±0.03mm
- MECHANICAL:
 - INSERTION: 5~20N.
 - EXTRACTION: 8~20N.
 - DURABILITY: 10000 CYCLES
- ELECTRICAL:
 - CURRENT: 5A MIN FOR VBUS; 0.25A MIN FOR OTHER.
 - VOLTAGE: 5VAC MAX
 - WITHSTANDING VOLTAGE: 100V AC.
 - CONTACT RESISTANCE: 40mΩ MAX.
 - INSULATION RESISTANCE: 100MΩ MIN.
- ENVIRONMENTAL
 - TEMPERATURE RANGE -55°C ~ +85°C

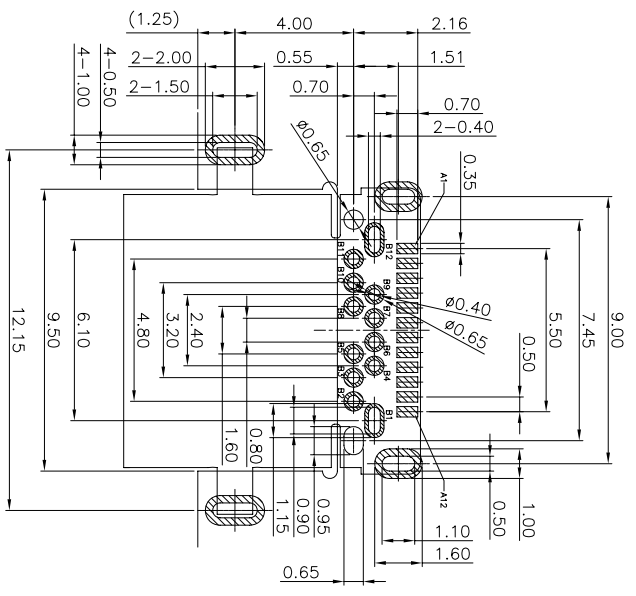
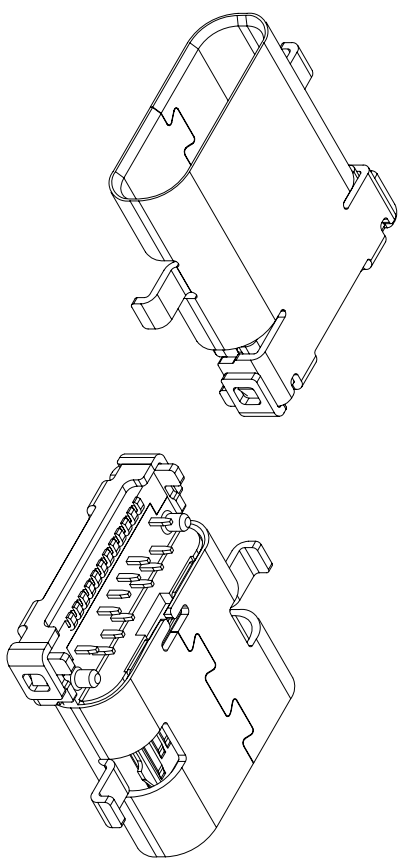
深圳市精拓金电子有限公司

产品图 PRODUCT CHART DWG 公差一览表 TOLERANCE TABLE UNLESS OTHERWISE SPECIFIED		单位 UNITS MM	制图 DRAWING Z-Y-B	制图料号 PRODUCT PART NO.
X	±0.25	X	±5.°	
.X	±0.20	.X	±2.°	
.XX	±0.15	.XX	±1.°	
.XXX	±0.10	.XXX	±0.5	
日期 DATE	2014.05.15	审核 CHKD	核准 APPD	角法 VIEW
				版本 VER
				A0



MAPX	MODIFICATION	DATE
------	--------------	------

USB TYPE-C FULL-FEATURED RECEPTACLE INTERFACE PIN ASSIGNMENTS



RECOMMEND P.C.B LAYOUT(COMPONENT SIDE)
TOLERANCE FOR PCB LAYOUT IS ± 0.05
KEEP OUT AREA

Pin	Signal Name	Description	Pin	Signal Name	Description
A1	GND	Ground return	B12	GND	Ground return
A2	SSTxn1	Positive half of first SuperSpeed TX differential pair	B11	SSTxn1	Positive half of first SuperSpeed TX differential pair
A3	SSTxn1	Negative half of first SuperSpeed TX differential pair	B10	SSTxn1	Negative half of first SuperSpeed TX differential pair
A4	Vbus	Bus Power	B9	Vbus	Bus Power
A5	CC1	Configuration Channel	B8	CC1	Configuration Channel
A6	Dp1	Positive half of the USB 2.0 differential pair--Position 1	B7	Dp1	Positive half of the USB 2.0 differential pair--Position 1
A7	Dm1	Negative half of the USB 2.0 differential pair--Position 1	B6	Dm1	Negative half of the USB 2.0 differential pair--Position 1
A8	RFU1	Reserved for Future Use (RFU)	B5	RFU1	Reserved for Future Use (RFU)
A9	Vbus	Bus Power	B4	Vbus	Bus Power
A10	SSRxn2	Negative half of second SuperSpeed RX differential pair	B3	SSRxn2	Negative half of second SuperSpeed RX differential pair
A11	SSRxn2	Positive half of second SuperSpeed RX differential pair	B2	SSRxn2	Positive half of second SuperSpeed RX differential pair
A12	GND	Ground return	B1	GND	Ground return

产品图
PRODUCT CHART DWG

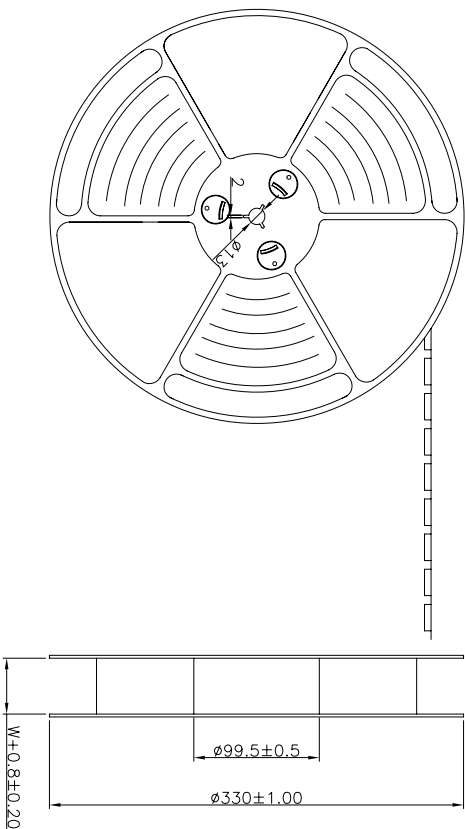
公差一览表
TOLERANCE TABLE
TOLERANCE UNLESS OTHERWISE SPECIFIED

单位 UNITS	MM	制图 DRAWING	Z-Y-B	制图料号 PRODUCT MATER NO.	
比例 SCALE	1:1	审核 CHKD		产品名称 PRODUCT NO.	USB 3.1 C TYPE FEMALE SINK CONNECTOR SMT-HDP
日期 DATE	2014.05.15	核准 APPD		角法 VIEW	
				版本 VER	A0

深圳市精拓金电子有限公司

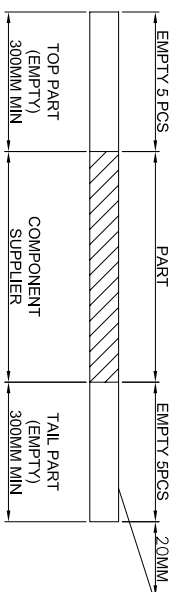
1 2 3 4 5 6 7 8 9 10
G F E D C B A

提錫源研
PULL OUT DIRECTEON

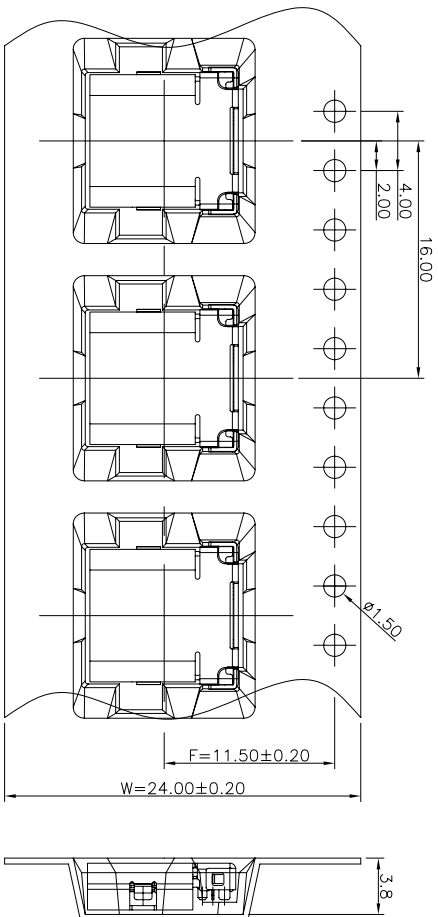
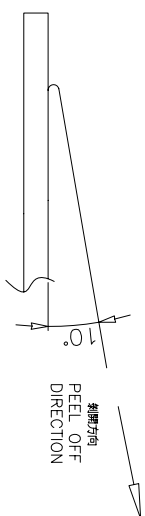


NOTES

- 越詢 擇僅
LEAD TAPE LENGTH
提錫源研
PULL OUT DIRECTEON



- 2.故 薯薯 10.1~1.3N(10.2gf~130gf)
PEELING OFF FORCE OF TOP TAPE:0.1~1.3N(10.2gf~130gf)
提錫源研最袋袋傳船船J
THIS REQUIREMENT SHOULD BE APPLIED AT SHIPMENTJ
橙 妻袋袋最袋袋變J(轉
PEELING OFF SHOULD NOT BE ALLOWED DURING TRANSPORTATION



产品图

深圳市精拓金电子有限公司

PRODUCT CHART DWG

公差一览表

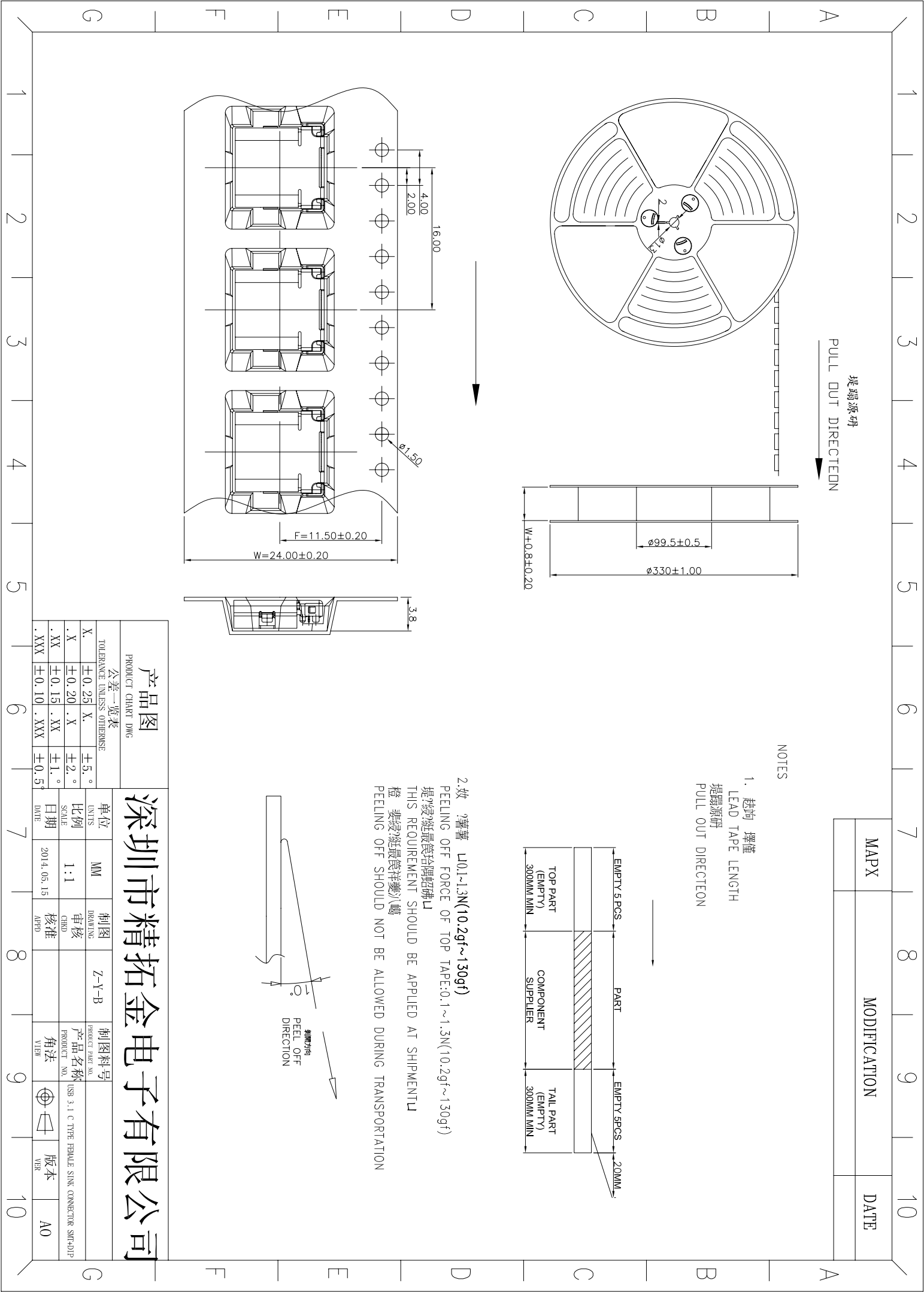
TOLERANCE UNLESS OTHERWISE			
X.	±0.25	X.	±5.°
.X	±0.20	.X	±2.°
.XX	±0.15	.XX	±1.°
.XXX	±0.10	.XXX	±0.5

单位 UNITS	MM	制图 DRAWING	2-Y-B	制图料号 PRODUCT FIG. NO.
比例 SCALE	1:1	审核 CHKD		产品名称 PRODUCT NO.
日期 DATE	2014.05.15	核准 APPD		角法 VIEW
				版本 VER
				A0

MAPX

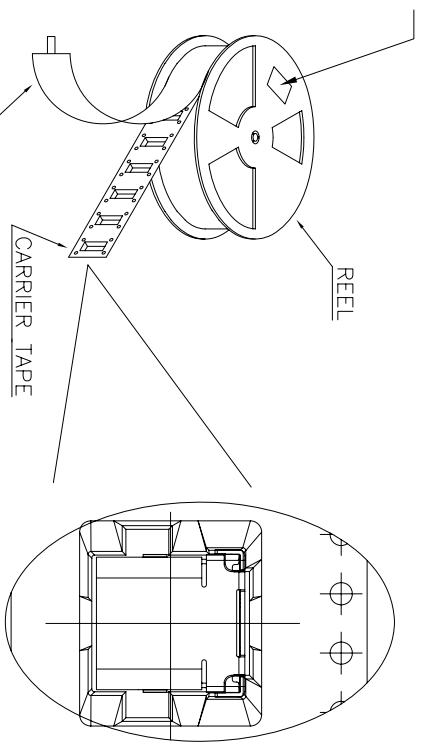
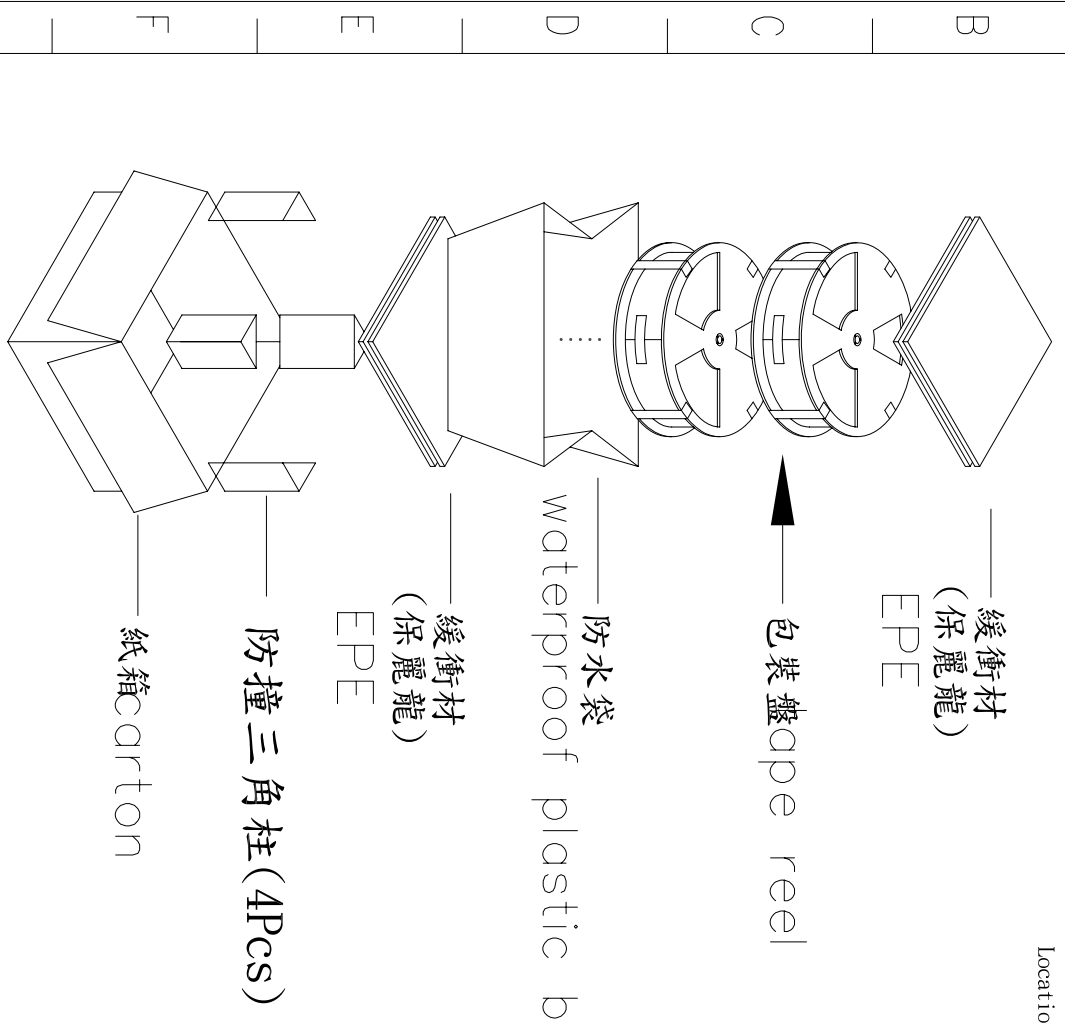
MODIFICATION

DATE



MAPX	MODIFICATION	DATE
------	--------------	------

at small positioning hole of the carrier tape side).
 標籤黏貼處 (朝搭裝包材的小定位孔一側)
 Location of label sticking (label)



- NOTE:
1. 薄 婦規 講摯薄眠規眠 講 X0短桶跡.
(Packing qty of each reel & carton as below table shown.)
 2. 眡汝糯 葡介短婦規 ?婦規 婦規
Use cover tape to cover and hot melt machine to seal up.
 3. 藩??眠溫??溢鉄蹠
Every carton use 2pcs EPE.
 4. 規 家 腔橙屋溫 ?眠甜眡糯 猾諾
Put reels in the carton and use adhesive tape to seal up.

产品图

深圳市精拓金电子有限公司

公差一览表		单位	MM	制图	Z-Y-B	制图料号
TOLERANCE UNLESS OTHERWISE		UNITS	MM	DRAWING	2-Y-B	PRODUCT TAG NO.
X.	±0.25	X.	±5.°	审核		产品名称
.X	±0.20	.X	±2.°	日期	2014.05.15	PRODUCT NO.
.XX	±0.15	.XX	±1.°	核准		USP 3:1 C TYPE FEMALE SINK CONNECTOR SMT40IP
.XXX	±0.10	.XXX	±0.5	DATE		角法
						VER
						A0

G 1 2 3 4 5 6 7 8 9 10 G

F 1 2 3 4 5 6 7 8 9 10 F

E 1 2 3 4 5 6 7 8 9 10 E

D 1 2 3 4 5 6 7 8 9 10 D

C 1 2 3 4 5 6 7 8 9 10 C

B 1 2 3 4 5 6 7 8 9 10 B

A 1 2 3 4 5 6 7 8 9 10 A