

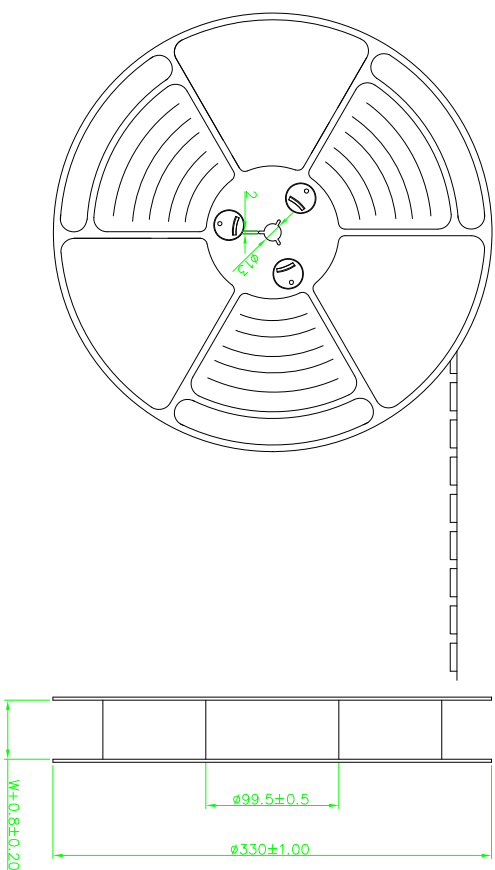




1	2	3	4	5	6	7	8	9	10
MAPX							MODIFICATION		DATE

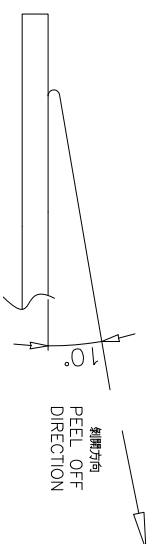
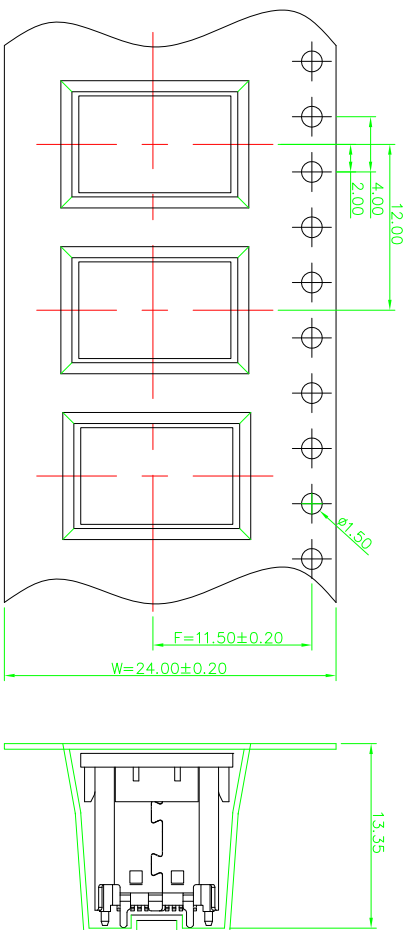
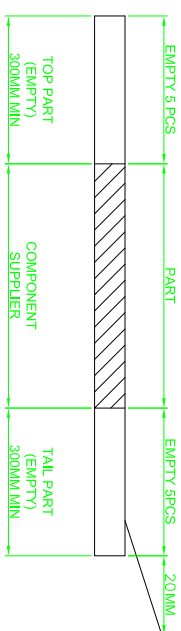
提錫源碼

PULL OUT DIRECTED



NOTES

1. 熱灼 擇僅  
LEAD TAPE LENGTH  
提錫源碼  
PULL OUT DIRECTED



2. 拔 錫 力 0.1~1.3N(10.2gf~130gf)  
PEELING OFF FORCE OF TOP TAPE:0.1~1.3N(10.2gf~130gf)  
提錫力 0.1~1.3N(10.2gf~130gf)  
THIS REQUIREMENT SHOULD BE APPLIED AT SHIPMENT  
橙 錫 膜 錫 力 0.1~1.3N(10.2gf~130gf)  
PEELING OFF SHOULD NOT BE ALLOWED DURING TRANSPORTATION

# 深圳市精拓金电子有限公司

## 产品图

PRODUCT CHART DWG

公差一览表

TOLERANCE UNLESS OTHERWISE	
X.	±0.25 X.
.X	±0.20 .X
.XX	±0.15 .XX
.XXX	±0.10 .XXX

单位 UNITS	MM	制图 DRAWING	2-Y-B	制图料号 PRODUCT PART NO.
比例 SCALE	1:1	审核 CHKD		产品名称 PRODUCT NO.
日期 DATE	2014.05.15	核准 APRD		角法 VIEW
				版本 VER
				A0

CS 3.1 C TYPE FEMALE STRAIGHT CONNECTOR

