

PLEASE CHECK WWW.MOLEX.COM FOR LATEST PART INFORMATION

Part Number: **0307004200**
Status: **Active**
Overview: H-DAC 64™ Dual-Row High Density Automotive Connectors
Description: 2.54mm Pitch, H-DAC 64 High Density Automotive Header, Dual Row, Vertical, 20 Circuits, Polarization Option 1, Gray, Tray

Documents:

[3D Model](#) [Product Specification PS-30700-0001-001 \(PDF\)](#)
[Drawing \(PDF\)](#) [RoHS Certificate of Compliance \(PDF\)](#)

General

Product Family	PCB Headers
Series	30700
Application	Power, Wire-to-Board
Comments	Polarization Option 1
Overview	H-DAC 64™ Dual-Row High Density Automotive Connectors
Product Name	H-DAC 64
UPC	800753023192

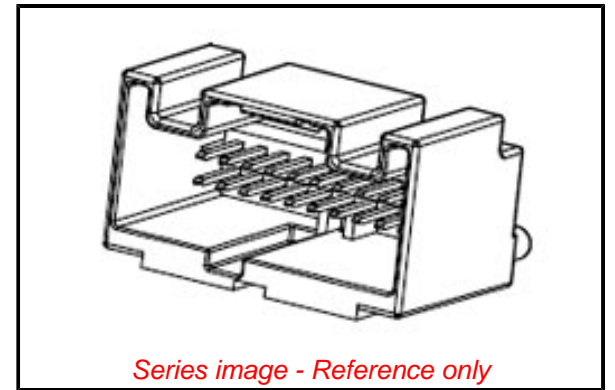
Physical

Breakaway	No
Circuits (Loaded)	20
Circuits (maximum)	20
Color - Resin	Gray
Durability (mating cycles max)	10
First Mate / Last Break	No
Glow-Wire Capable	No
Guide to Mating Part	No
Keying to Mating Part	None
Lock to Mating Part	Yes
Material - Metal	Copper
Material - Plating Mating	Tin
Material - Plating Termination	Nickel
Material - Resin	Modified Polystyrene
Net Weight	7.400/g
Number of Rows	2
Orientation	Vertical
PC Tail Length	3.69mm
PCB Locator	Yes
PCB Retention	Yes
PCB Thickness - Recommended	1.57mm
Packaging Type	Tray
Pitch - Mating Interface	2.54mm
Polarized to Mating Part	Yes
Polarized to PCB	Yes
Shrouded	Fully
Stackable	No
Surface Mount Compatible (SMC)	No
Temperature Range - Operating	-40° to +100°C
Termination Interface: Style	Through Hole

Electrical

Current - Maximum per Contact	7.0A
Voltage - Maximum	500V DC

Solder Process Data



Series image - Reference only

EU ELV

Compliant

EU RoHS

Compliant

REACH SVHC

Not Contained Per -
ED/61/2018 (27 June
2018)

Halogen-Free

Status

Not Relevant

For more information, please visit [Contact US](#)

China ROHS

Not Relevant

ELV

Compliant

RoHS Phthalates

Not Contained

Search Parts in this Series

[30700 Series](#)

Mates With

H-DAC 64 Housing [30700-1207](#)

Duration at Max. Process Temperature (seconds)	040
Lead-freeProcess Capability	SMC&WAVE
Max. Cycles at Max. Process Temperature	003
Process Temperature max. C	260

Material Info

Reference - Drawing Numbers

Product Specification	PS-30700-0001-001
Sales Drawing	2L1T-14A624-AA1, SD-30700-420

This document was generated on 09/19/2018

PLEASE CHECK WWW.MOLEX.COM FOR LATEST PART INFORMATION

Mouser Electronics

Authorized Distributor

Click to View Pricing, Inventory, Delivery & Lifecycle Information:

[Molex:](#)

[30700-4200](#)