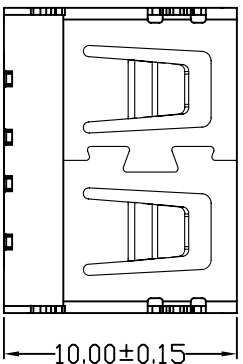
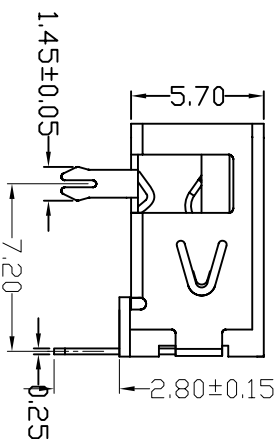
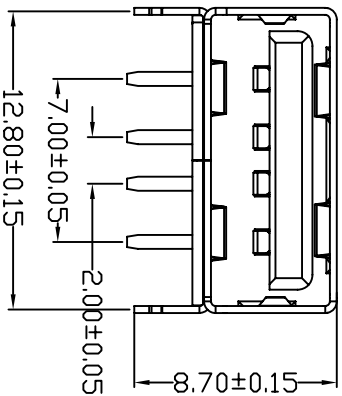
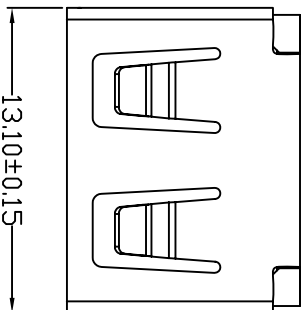


D款, 正向10.6前两脚, DIP-*6.20



| | | |
|------|--------------|------|
| MAPX | MODIFICATION | DATE |
|------|--------------|------|

NOTES:

- HOUSING: SEE NOTES, UL94V-0.
- TERMINAL: SEE NOTES.
- SHELL: SEE NOTES.

SPECIFICATION:

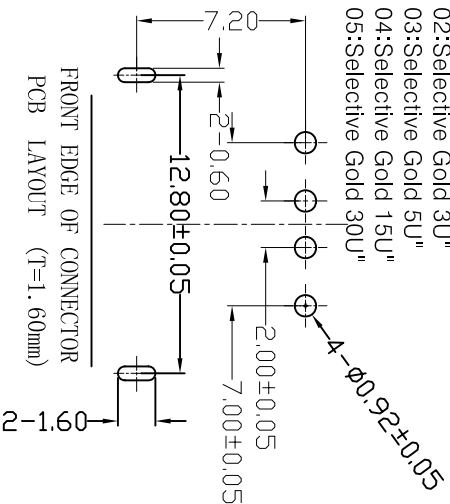
- ELECTRICAL CHARACTERISTIC:
 - CONTACT RESISTANCE: 30MΩ MAX
 - DIELECTRIC WITHSTANDING VOLTAGE: 500V AC FOR 1MIN
 - INSULATION RESISTANCE: 1000MΩ MIN
- MECHANICAL CHARACTERISTIC:
 - INSERTION FORCE: 35N(3.57KGF) MAX
 - EXTRACTION FORCE: 10~35N(1.02~3.57KGF)MIN
 - DURABILITY: 1500 CYCLES EXTRACTION FORCE:10~35N 5000 CYCLES MIN

3. ENVIRONMENTAL:

OPERATING TEMPERATURE: -55°C+85°C

4. Contact finish:

- Selective Gold Flash
- Selective Gold 3U"
- Selective Gold 5U"
- Selective Gold 15U"
- Selective Gold 30U"



产品图
PRODUCT CHART DWG

公差一览表

| TOLERANCE UNLESS OTHERWISE | X. | X. | X. | X. | .XXX |
|----------------------------|------|-------|----|----|------|
| ±0.25 | X. | ±5.° | | | |
| ±0.20 | X. | ±2.° | | | |
| ±0.15 | .XX | ±1.° | | | |
| ±0.10 | .XXX | ±0.5° | | | |

深圳市精拓金电子有限公司

| 单位 | MM | 制图 | Z-Y-B | 制图料号 | JTJ-USB-10.0-002 |
|-------|------------|----|-------|-------------|-------------------------|
| 比例 | 1:1 | 审核 | CHD | 产品名称 | USB A/F 10.0无选前脚插鱼叉(方弹) |
| SCALE | | 核准 | APD | PRODUCT NO. | |
| 日期 | 2012.09.24 | | | 制法 | VIEW |
| DATE | | | | 版本 | VER |
| | | | | | AD |