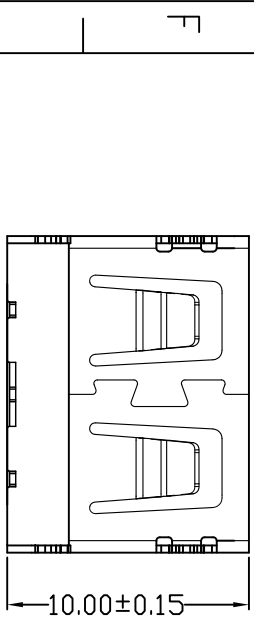
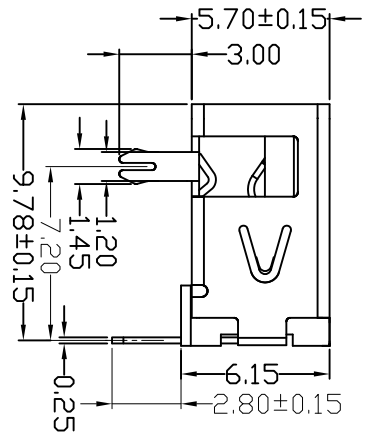
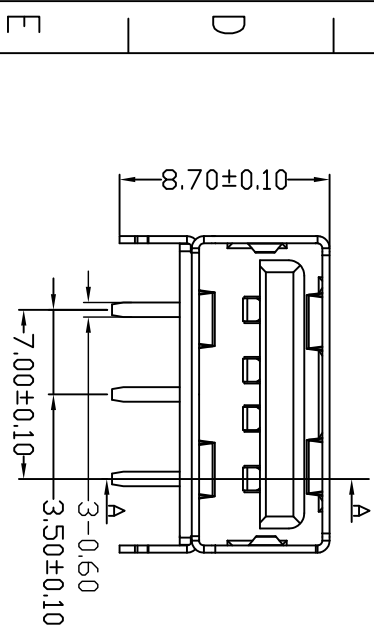


SECTION A-A



MAPX	MODIFICATION	DATE
------	--------------	------

NOTES:

1. HOUSING: SEE NOTES, TERMINAL: SEE NOTES. SHELL: SEE NOTES.

SPECIFICATION:

1. ELECTRICAL CHARACTERISTIC:

CONTACT RESISTANCE: 30MΩ MAX
 DIELECTRIC WITHSTANDING VOLTAGE: 500V AC FOR 1MIN
 INSULATION RESISTANCE: 1000MΩ MIN

2. MECHANICAL CHARACTERISTIC:

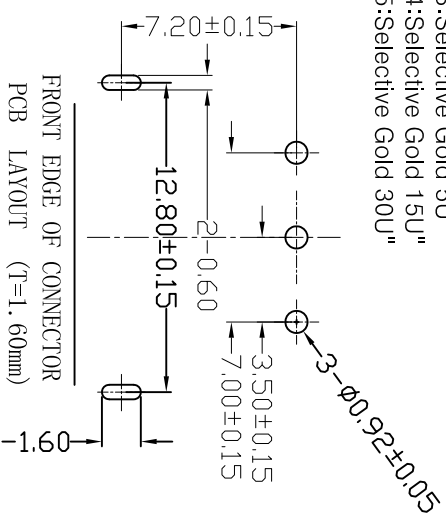
INSERTION FORCE: 35N(3.57KGF) MAX
 EXTRACTION FORCE: 10~35N(1.02~3.57KGF)MIN
 DURABILITY: 1500 CYCLES EXTRACTION FORCE: 10~35N
 5000 CYCLES MIN
 5000 CYCLES EXTRACTION FORCE: 3~35N

3. ENVIRONMENTAL:

OPERATING TEMPERATURE: -55°C+85°C

4. Contact finish:

- 01: Selective Gold Flash
- 02: Selective Gold 3U"
- 03: Selective Gold 5U"
- 04: Selective Gold 15U"
- 05: Selective Gold 30U"



深圳市精拓金电子有限公司

产品图
PRODUCT CHART DWG

公差一览表
TOLERANCE UNLESS OTHERWISE

X	±0.25	X	±5°
X	±0.20	X	±2°
XX	±0.15	XX	±1°
XXX	±0.10	XXX	±0.5°

单位 UNITS	MM	制图 DRAWING	Z-Y-B	制料号 PRODUCT PART NO.
比例 SCALE	1:1	审核 CHKD		产品名称 PRODUCT NO.
日期 DATE	20140214	核准 APRD		角法 VIEW
				版本 VER
				AD

1 2 3 4 5 6 7 8 9 10