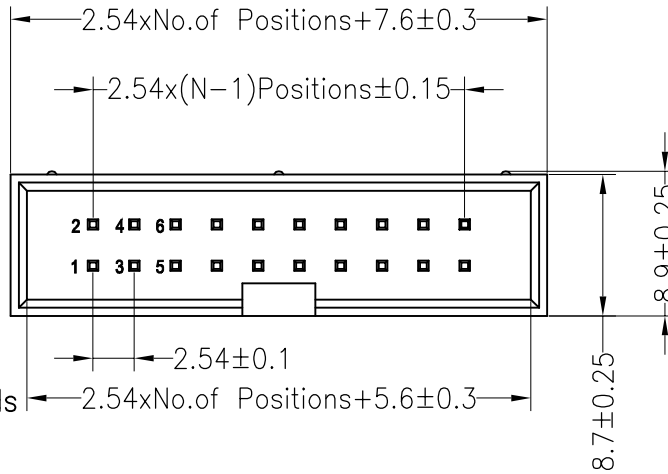


RoHS

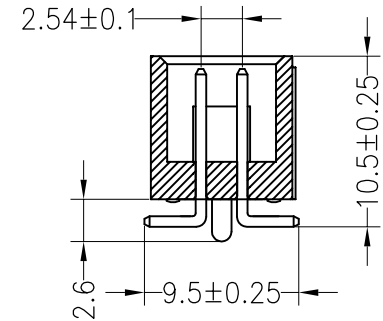
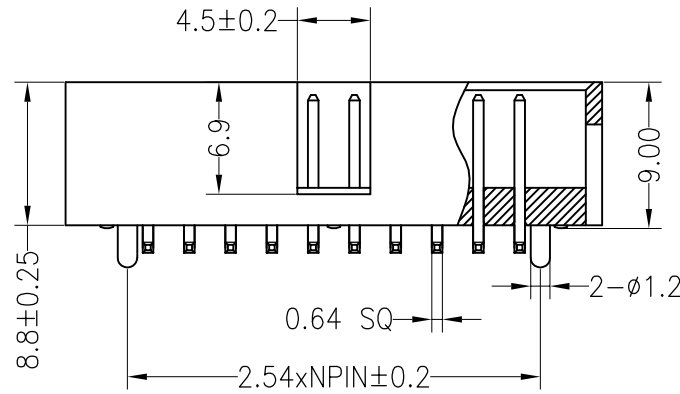
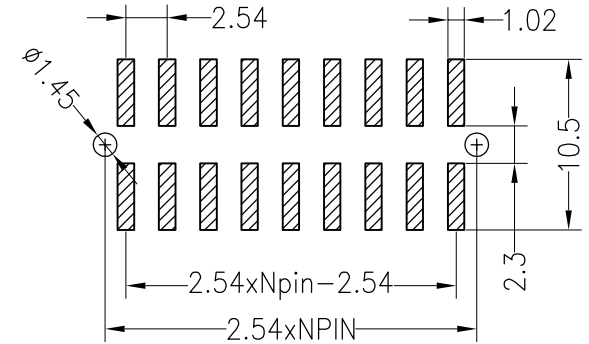
SPECIFICATIONS

Rated Current:3.0AMP  
 Contact Resistance:20mΩ Max  
 Withstand Voltage:1000V AC/DC  
 Insulation Resistance:1000MΩ Min  
 Operation Temperature:-40°C to +105°C

Contact Material:Brass  
 Contact Plating:Au or Sn Over Ni  
 Insulator Material:Polyester(UL94V-0)  
 Standard: PA6T  
 Max.Processing Temp: 230°C for 30-60 seconds  
 (260°C for 10 seconds)



Recommended P.C.B Layout(Top Side)  
 (PCB BOARD TOLERANCE  $\pm 0.05$ )



				OPERATION		DRAW		SCALE		FIT		深圳市连盛精密连接器有限公司	
				X.X	$\pm 0.30$			UNIT	mm				
				X.XX	$\pm 0.20$	CHECK		SIZE	A4	PART NO.		BH-00158	
				X.XXX	$\pm 0.10$			SHEET	1/1	TITLE:		2.54Box H8.8mm 30P SMT 带外柱	
				Angle	$\pm 3'$	APPROVE		PROJ.	$\phi$				
				DIM	TOL								
A	REV	DATE	MODIFICATION DESCRIPTION	CHANGE									
1	2	3	4	5	6	7	8	9					