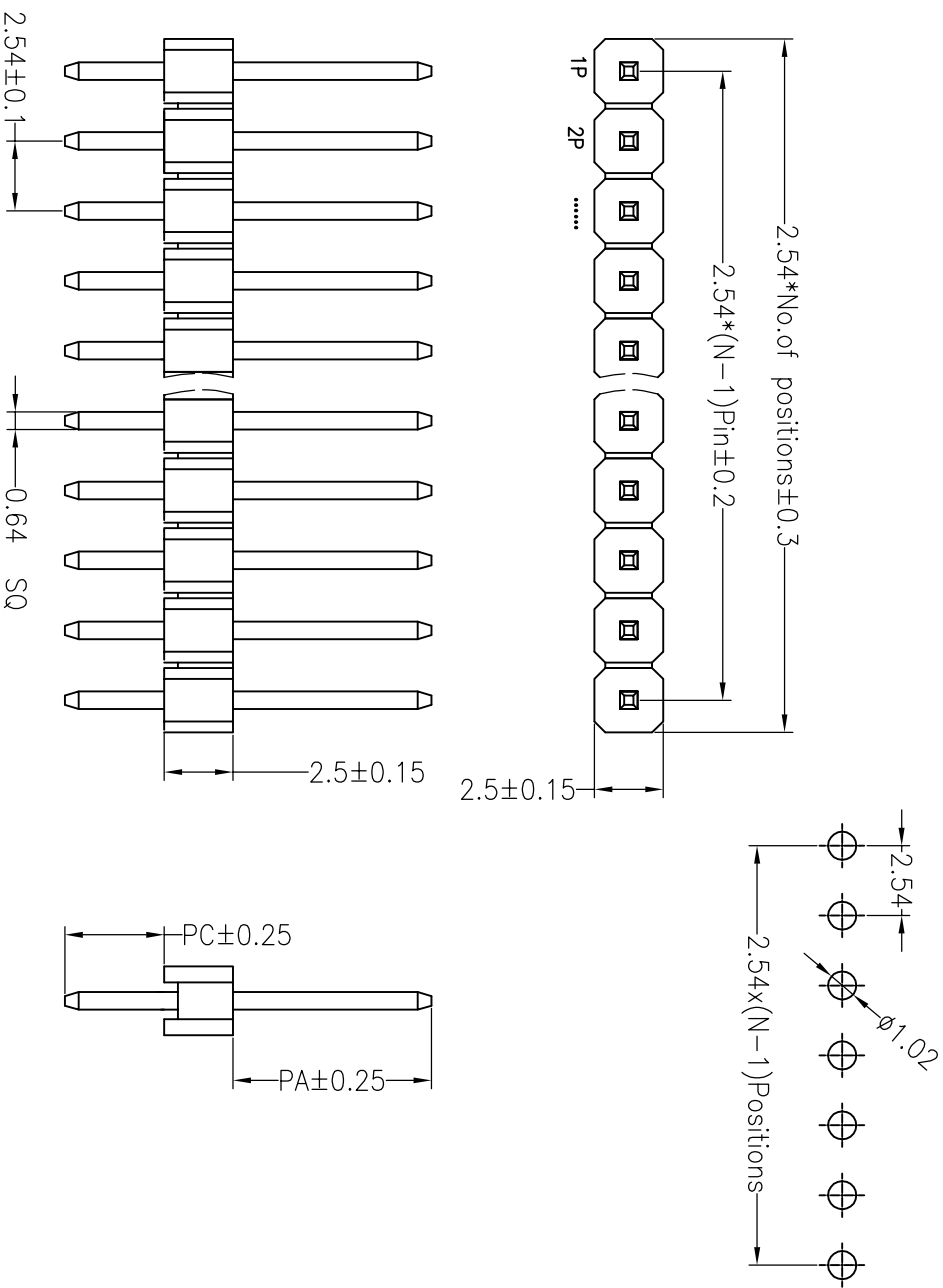


RoHS

SPECIFICATIONS

Rated Current: 3.0AMP
 Contact Resistance: 20mΩ Max
 Withstand Voltage: 1000V AC/DC
 Insulation Resistance: 1000MΩ Min
 Operation Temperature: -40°C to +105°C

Contact Material: Brass
 Contact Plating: Au Over Ni
 Insulator Material: Polyester (UL94V-0)
 Standard: PA6T
 Max. Processing Temp: 230°C for 30-60 seconds
 (260°C for 10 seconds)



Recommended P.C.B Layout (Top Side)
 (PCB BOARD TOLERANCE ±0.05)

Dimension antitheses list			
ITEM	PA	PC	L
Standard	6.00	3.00	11.50
Alternate			

深圳市连盛精密连接器有限公司

OPERATION		DRAW		SCALE		FIT		PART NO.	
X.X	±0.30	X.XX	±0.20	UNIT	mm	SIZE	A4	SHEET	1/1
Angle	±0.10	Angle	±3°	PROJ.	1/1	TITLE:	PH-00022		
DIM	TOL	APPROVE				2.54PH H=2.5 1X11P			
REV	DATE	MODIFICATION DESCRIPTION	CHANGE						
1									
A0	2012.03.28	NEW DRAWING		CHECK					