



REV.	ECN. NO.	NAME	DATE
A		正版发行	
B		新增规格	

- NOTES:
- MATERIAL:  
MOLDING: LCP UL94 V-0  
CONTACT: COPPER ALLOY.  
GOLD PLATED Min ON CONTACT AREA, 100u"  
Min TIN (LEAD FREE) ON SOLDER AREA,  
SHELL: SUS304-H, T=0.30±0.03mm  
50u" NICKEL PLATING OVER ALL.  
SHILD: SUS304-H, T=0.12±0.03mm
  - MECHANICAL:  
INSERTION: 5~20N.  
EXTRACTION: 8~20N AFTER TEST.  
DURABILITY: 10000 CYCLES
  - ELECTRICAL:  
CURRENT: 5A FOR VBUS;  
1.25A FOR GND PIN.  
0.25A FOR OTHER.  
VOLTAGE: 20 V MAX  
WITHSTANDING VOLTAGE: 100V AC R.M.S.  
CONTACT RESISTANCE: 40mΩ MAX.  
INSULATION RESISTANCE: 100MΩ MIN.
  - ENVIRONMENTAL  
TEMPERATURE RANGE -55°C ~ +85°C



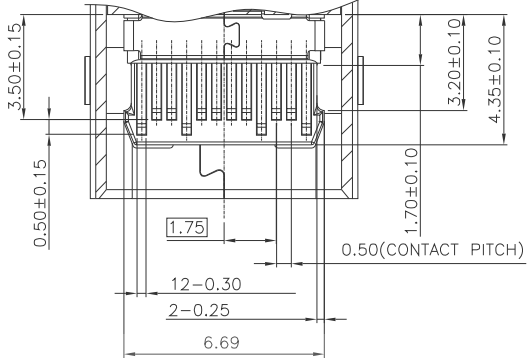
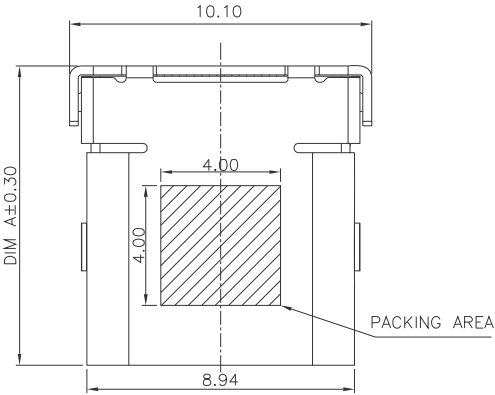
P/N:	DIM A	DIM B	DIM C
	10.00	7.75	6.15
	8.65	6.40	4.80

深圳市步步精科技有限公司

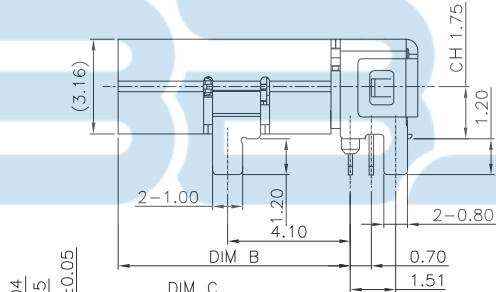
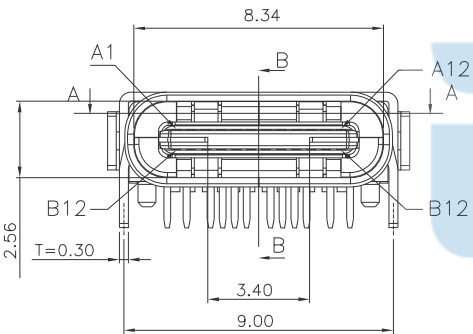
TITLE: TYPE-C 24P 母座 板上L=10.0单壳 CH1.75

TOLERANCE UNSPECIFIED	
.	±0.50
.0	±0.38
.00	±0.25
.000	±0.10
ANGLE	±3.00°
MANUFACTURING COPY	

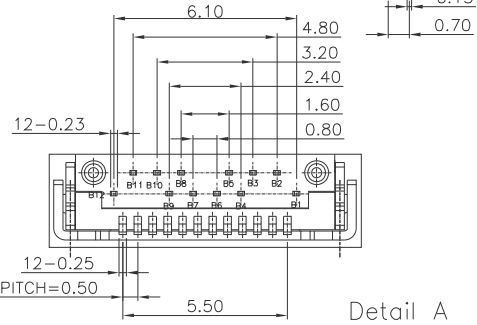
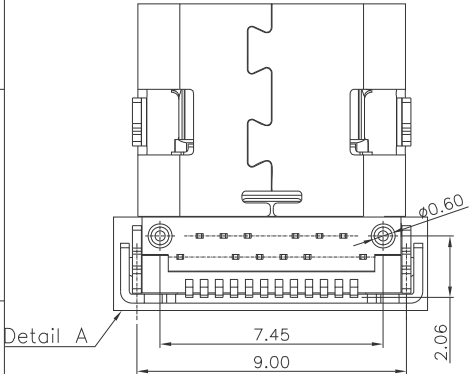
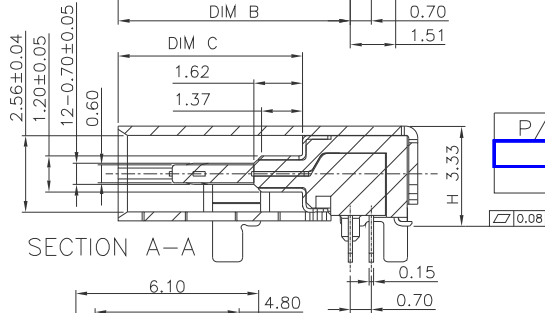
DRAWN BY:	HMY	SIZE: A4	UNIT: mm.	PART NO.	UC.01.52-16-0003
CHECKED BY:	LYX	SCALE: 1:1	PROJECTION		REV.: A
APPROVED BY:	LJP	DWG. PATH		0285-1	SHEET: 1/4



SECTION B-B



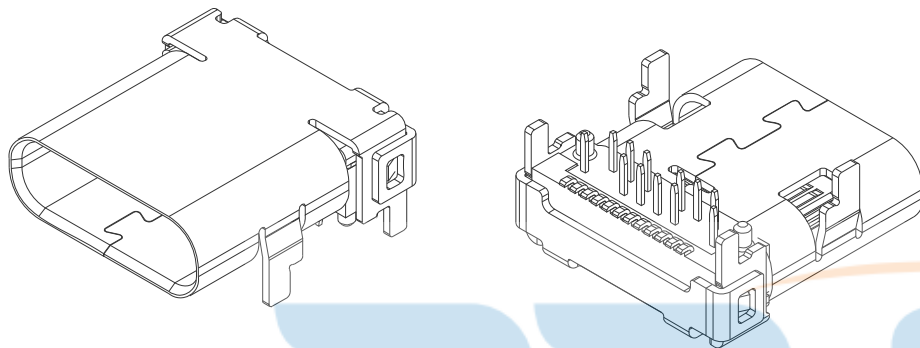
SECTION A-A



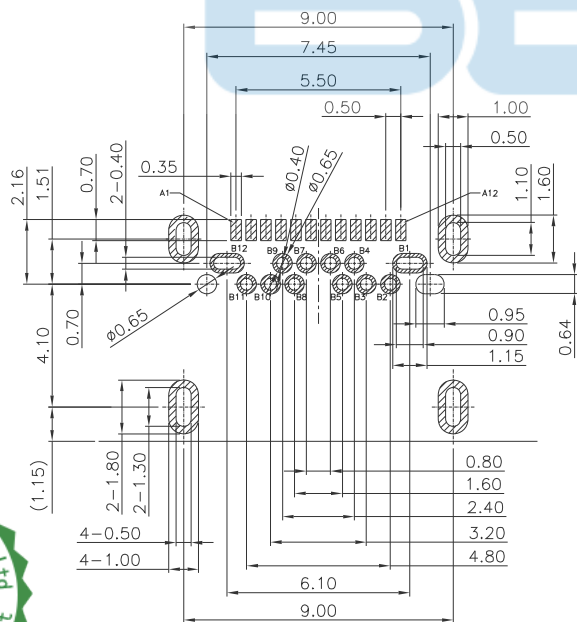
Detail A



USB TYPE-C FULL-FEATURED RECEPTACLE INTERFACE PIN ASSIGNMENTS



PIN	Signal Name	Description	PIN	Signal Name	Description
A1	GND	Ground return	B12	GND	Ground return
A2	SSTXp1	Positive half of first SuperSpeed TX differential pair	B11	SSRXp1	Positive half of first SuperSpeed RX differential pair
A3	SSTXn1	Negative half of first SuperSpeed TX differential pair	B10	SSRXn1	Negative half of first SuperSpeed RX differential pair
A4	VBUS	Bus Power	B9	Vbus	Bus Power
A5	CC1	Configuration Channel	B8	SBU2	Sideband Use (SBU)
A6	Dp1	Positive half of the USB 2.0 differential pair-Position 1	B7	Dn2	Negative half of the USB 2.0 differential pair-Position 2
A7	Dn1	Negative half of the USB 2.0 differential pair-Position 1	B6	Dp2	Positive half of the USB 2.0 differential pair-Position 2
A8	SBU1	Sideband Use(SBU)	B5	CC2	Configuraaion Channel
A9	Vbus	Bus Power	B4	Vbus	Bus Power
A10	SSRXn2	Negative half of second SuperSpeed RX differential pair	B3	SSTXn2	Negative half of second SuperSpeed TX differential pair
A11	SSRXp2	Positive half of second SuperSpeed RX differential pair	B2	SSTXp2	Positive half of second SuperSpeed TX differential pair
A12	GND	Ground return	B1	GND	Ground return



RECOMMEND P.C.B LAYOUT (COMPONENT SIDE)

TOLERANCE FOR PCB LAYOUT IS  $\pm 0.05$

KEEP OUT AREA

TOLERANCE UNSPECIFIED	
.	$\pm 0.50$
.0	$\pm 0.38$
.00	$\pm 0.25$
.000	$\pm 0.10$
ANGLE	$\pm 3.00^\circ$
MANUFACTURING	COPY
DRAWN BY:	HMY
CHECKED BY:	LYX
APPROVED BY:	LJP

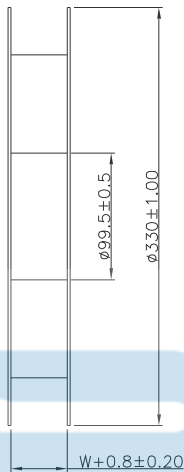
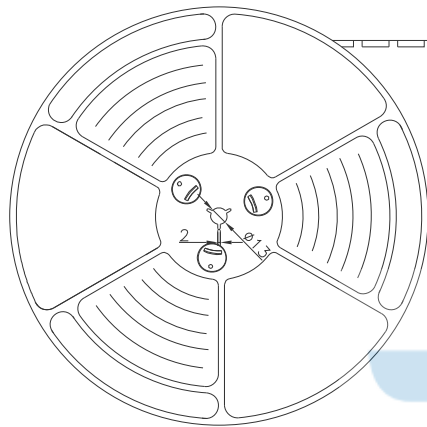
深圳市步步精科技有限公司

TITLE: TYPE-C 24P 母座 板上L=10.0单壳 CH1.75

SIZE: A4	UNIT: mm.	PART NO.	UC.01.52-16-0003
SCALE: 1:1	PROJECTION		
DWG. PATH	0285-1	REV.:	A
		SHEET:	2/4

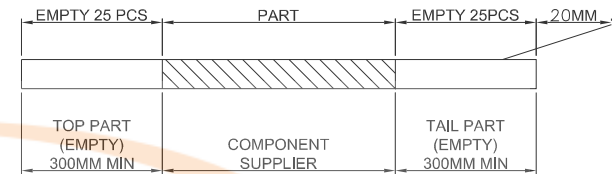


出料方向  
PULL OUT DIRECTION

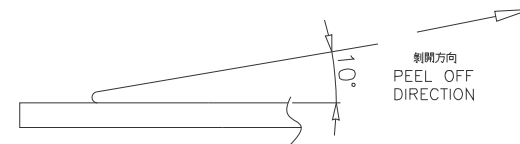
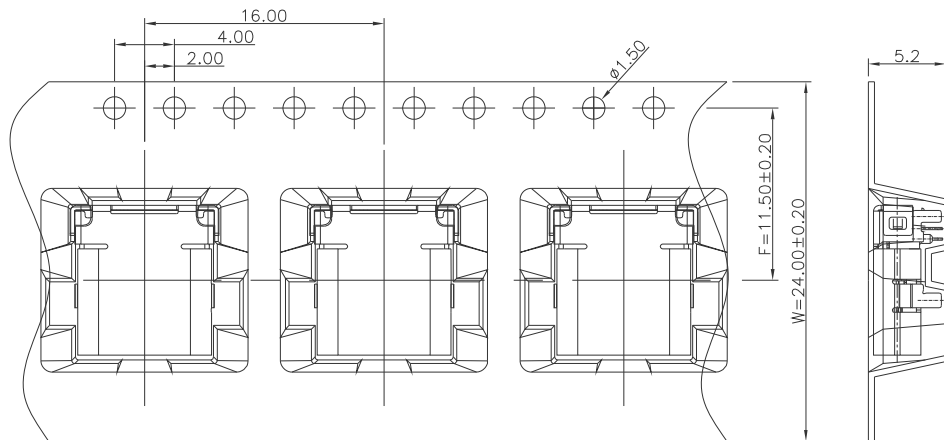


NOTES

1. 帶子引導長度  
LEAD TAPE LENGTH  
出料方向  
PULL OUT DIRECTION



2. 上帶 剝力力為 : 0.1~1.3N(10.2gf~130gf)  
PEELING OFF FORCE OF TOP TAPE: 0.1~1.3N(10.2gf~130gf)  
出貨運輸過程中一定注意:  
THIS REQUIREMENT SHOULD BE APPLIED AT SHIPMENT:  
卷帶在運輸過程中不能散開  
PEELING OFF SHOULD NOT BE ALLOWED DURING TRANSPORTATION



TOLERANCE UNSPECIFI	
.	$\pm 0.50$
.0	$\pm 0.38$
.00	$\pm 0.25$
.000	$\pm 0.10$
ANGLE	$\pm 3.00^\circ$
MANUFACTURING COPY	

深圳市步步精科技有限公司

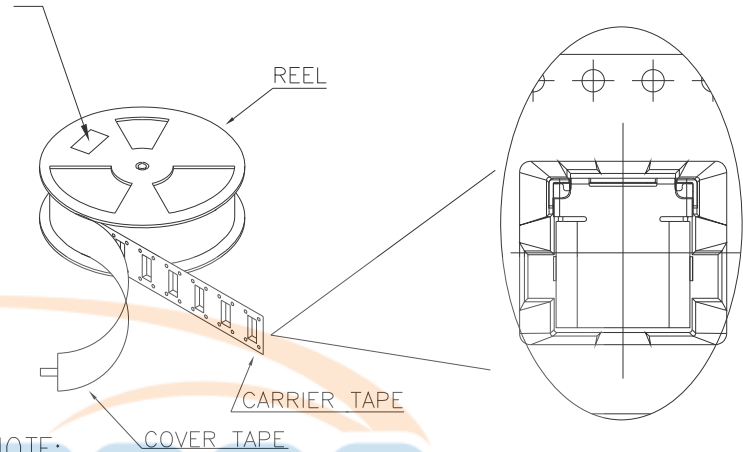
TITLE: TYPE-C 24P 母座 板上L=10.0单壳 CH1.75

DRAWN BY:	HMY	SIZE: A4	UNIT: mm.	PART NO.	UC.01.52-16-0003
CHECKED BY:	LYX	SCALE: 1:1	PROJECTION		REV.: A
APPROVED BY:	LJP	DWG. PATH		0285-1	SHEET: 3/4



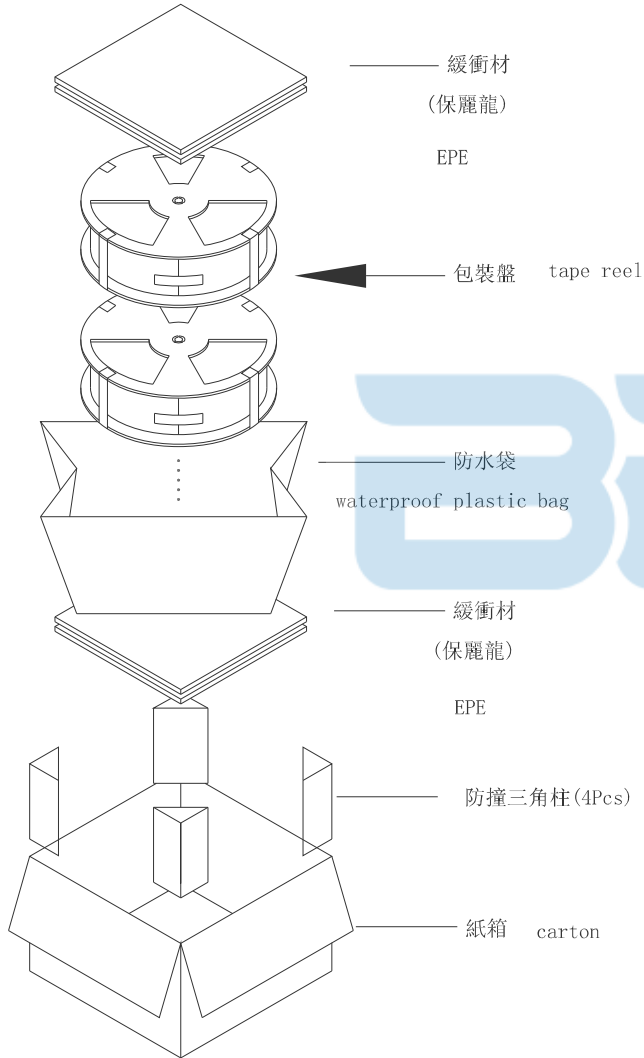
at small positioning hole of the carrier tape side).  
 標籤黏貼處 (朝捲裝包材的小定位孔一側)

Location of label sticking (label



NOTE:

1. 每捲包裝數量及每箱裝箱數量如左下表格。  
Packing q'ty of each reel & carton as below table shown.
2. 以上膠帶覆蓋下包裝帶經包裝機熱熔包裝  
Use cover tape to cover and hot melt machine to seal up.
3. 每個紙箱放2個珍珠棉  
Every carton use 2pcs EPE.
4. 將裝滿產品的卷盤放入紙箱并以膠帶封口  
Put reels in the carton and use adhesive tape to seal up.



TOLERANCE UNSPECIFIED	
.	±0.50
.0	±0.38
.00	±0.25
.000	±0.10
ANGLE	±3.00°
MANUFACTURING COPY	

**深圳市步步精科技有限公司**

TITLE: TYPE-C 24P 母座 板上L=10.0单壳 CH1.75

DRAWN BY:	HMY	SIZE:A4	UNIT:mm.	PART NO.	UC.01.52-16-0003
CHECKED BY:	LYX	SCALE: 1:1	PROJECTION		REV.: A
APPROVED BY:	LJP	DWG. PATH		0285-1	SHEET: 4/4

產品料號 (PRODUCT No.)	包裝容量 (PACKING CAPACITY)			重量 WEIGHT (Kg)		
	PCS/REEL	REELS/CARTON	PCS/CARTON	N.W./PCS	N.W./BOX	G.W./BOX
	700	8	5600	0.704		