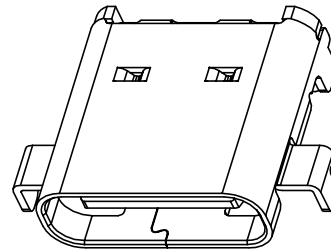
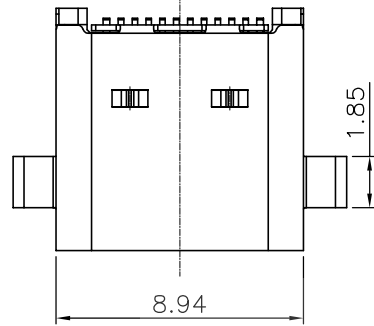


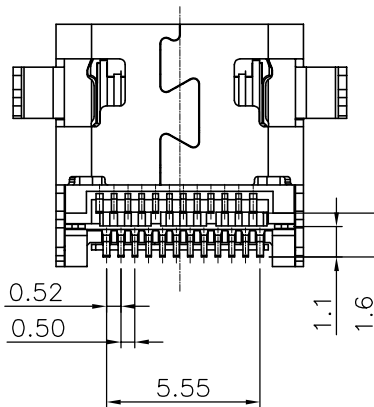
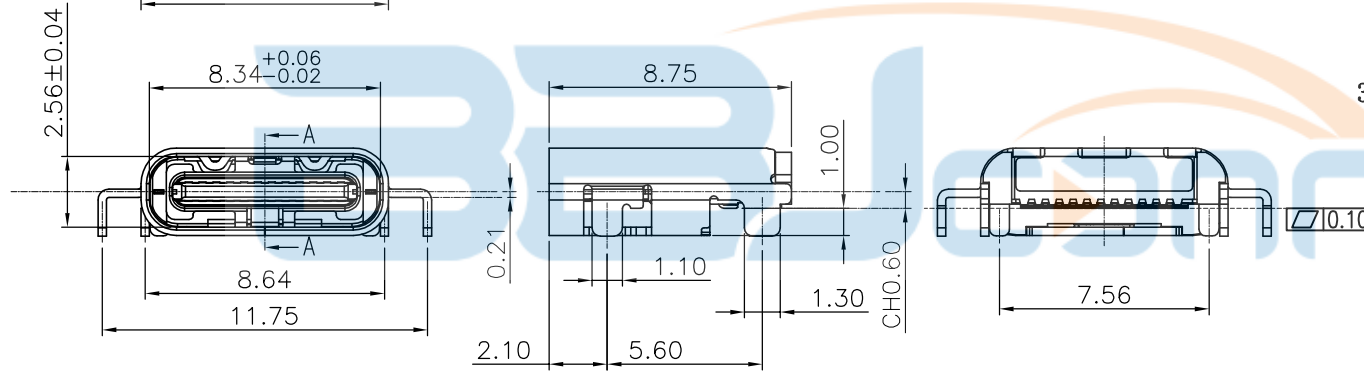


REV.	DESCRIPTION	NAME	DATE
A	NEWS ISSUE		



NOTES:

1. MECHANICAL PERFORMANCE,
  - 1-1. INSERTION FORCE: 5N~20N.
  - 1-2. REMOVAL FORCE: 5N~20N.
  - 1-3. DURABILITY: 10000 CYCLES.
2. ELECTRICAL PERFORMANCE,
  - 2-1. CURRENT RATING: 3.0A  
VOLTAGE RATING: 5.0V
  - 2-2. LLCR: VBUS & GND PINS AND OTHER PINS: 40mΩ /PIN MAX. SHIELD: 50mΩ /MAX.
  - 2-3. INSULATION RESISTANCE: 100MΩ MIN
  - 2-4. DIELECTRIC WITHSTAND VOLTAGE, AC 100V FOR 1 MINUTE.
3. ENVIRONMENTAL PERFORMANCE:  
OPERATING TEMPERATURE: -25° C~+85° C.



TOLERANCE UNSPECIFIED	
0.	±0.35
0.0	±0.35
0.00	±0.25
0.°	±4°
0.0°	±3°

深圳市步步精科技有限公司

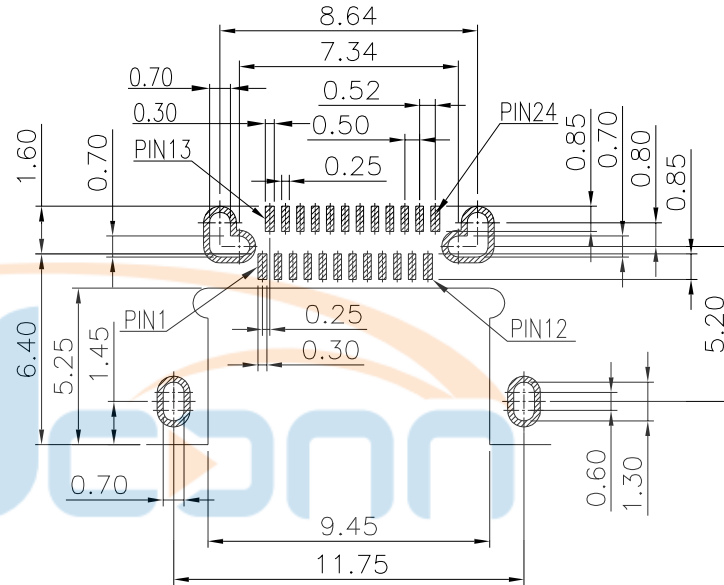
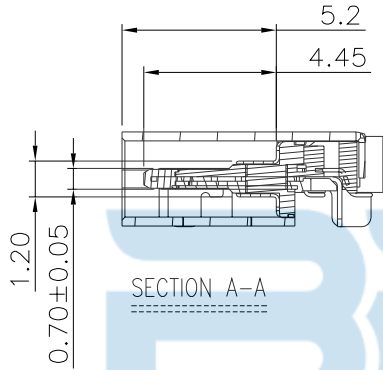
TITLE: TYPE-C 24P 母座 L=8.75 沉板1.0 双排 (SMT) CHO.60

DRAWN/ DATE	设计 HMY	SIZE:A4	UNIT:MM.	PART. NO:	UC. 01-32-1K-0001
CHECKED/ DATE	审核 LYX	SCALE: 1:1	PROJECTION		REV.: 版本
APPROVED/ DATE	核准 LJP	DWG. PATH	0400-1	SHEET: 页码	



AUTOCAD GENERATED DRAWING. DON'T CHANGE BY HAND.

REV.	ECN NO.	DESCRIPTION	DRAW	DATE



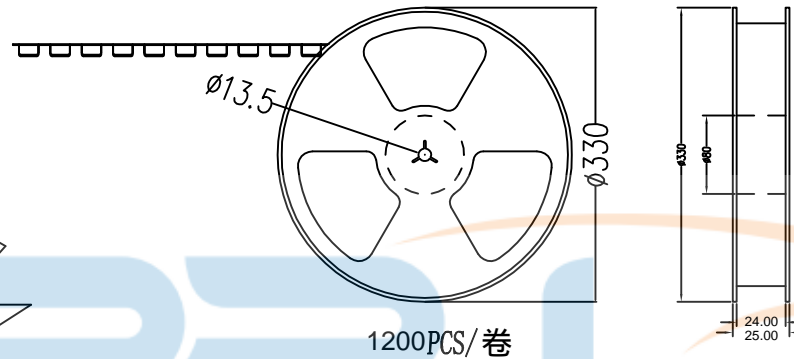
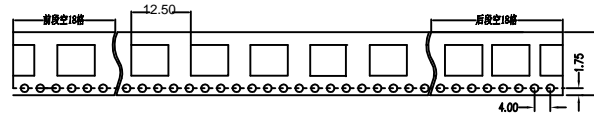
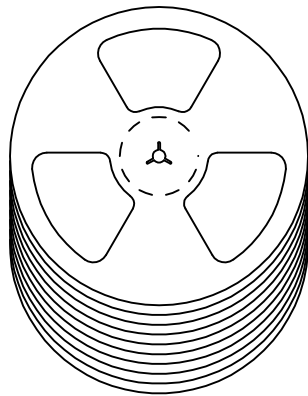
RECOMMENDED PCB LAYOUT



USB TYPE-C PIN ASSIGNMENTS

PIN NUMBER	SIGNAL NAME	PIN NUMBER	SIGNAL NAME
A1	GND	B12	GND
A2	SSTXp1	B11	SSRXp1
A3	SSTXn1	B10	SSRXn1
A4	VBUS	B9	VBUS
A5	CC1	B8	SBU2
A6	Dp1	B7	Dn2
A7	Dn1	B6	Dp2
A8	SBU1	B5	CC2
A9	VBUS	B4	VBUS
A10	SSRXn2	B3	SSTXn2
A11	SSRXp2	B2	SSTXp2
A12	GND	B1	GND

CNG008S133R		LCP黑色, 半金雾锡30u"		B款:带"LITK"LOGO 镭射DATE CODE	
CNG008S130R		LCP黑色, 半金雾锡30u"		A款:不带 LOGO, 无DATE CODE	
CNG008S090R		LCP黑色, 半金雾锡1u"		A款:不带 LOGO, 无DATE CODE	
料号		材质说明		规格区分	
UNITS 1:1	SCALE 1:1	REV. C	SHEET 2 OF 2	<b>深圳市步步精科技有限公司</b> TITLE TYPE-C 24P 母座 L=8.75 沉板1.0 双排 (SMT) CH0.60	
		DATE			
GENERAL TOLERANCE		DR.	HMY	PART.NO: UC.01-32-1K-0001	
0. ±0.35		CHK.	LYX	0400-1	
0.0 ±0.35		APPD.	LJP	DWG.NO.	A
0.00 ±0.25					SIZE A4
0.° ±4°					
0.0° ±3°					



1200PCS/卷



备注:

1. 包装数量: 1200CS/卷, 10卷/箱或15卷/箱
2. 包装带长度: 每盘前后各空10-20个空格, 中间包装.

3. 材质:

载体: 聚丙烯(PS), 抗阻 $10^{6-9} \Omega$   
 上带: 聚乙烯(PET), 抗阻 $10^{6-11} \Omega$   
 卷盘: 聚苯乙烯.

纸箱规格: 345\*345\*23mm

纸箱规格: 345\*345\*35mm



	一般公差		比例 SCALE	N/A	绘图 DRAWN	HMY	TITLE: TYPE-C 24P 母座 L=8.75 沉板1.0 双排 (SMT) CHO.60	版次 REV.	1.0	
	XX. ±	XXX. ±								
	.X ± 0.25	.XXX ±	单位 UNIT	MM	审核 CHECKED	LYX	0400-1	PART.NO: UC.01-32-1K-0001	页次 PAGE	1/1
	.XX ± 0.10	X.* ± 2'	尺寸 SIZE	A4	核准 APPROVE	LJP				
.XXX ± 0.05	.X* ± 0.5'									