

规格书

SPECIFICATION

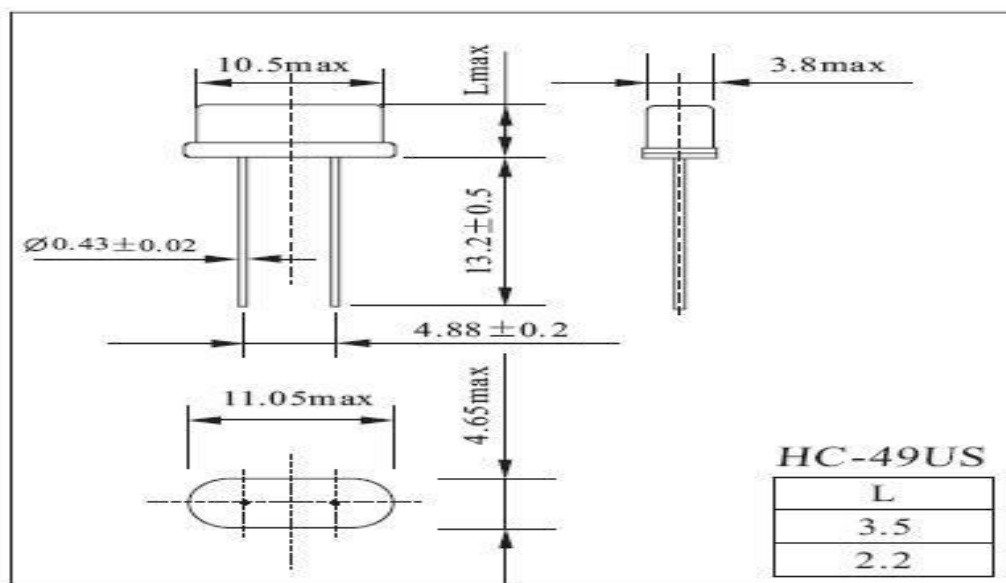
| | |
|---------------------------------|------------------------|
| 产品名称 | 石英晶体谐振器 |
| <u>Description</u> | <u>Crystal Unit</u> |
| 型号 · 标称频率 | |
| <u>Type · Nominal Frequency</u> | <u>49S 25.000MHz</u> |
| 规格书号 | |
| <u>Specification .</u> | <u>JFWSI25018A204C</u> |

制作
DESIGNED BY 杨 阳
审核
CHECKED BY 何 珍
批准
APPROBED BY 肖 琳

技术特性Specification

| | | |
|----|--|-------------------------|
| 1 | 标称频率 Nominal Frequency | 25.000MHz |
| 2 | 规格型号 Holder Type | HC-49S |
| 3 | 振动模式 Mode of Oscillation | Fund AT |
| 4 | 调整频差 Frequency Tolerance at (25°C ±2°C) | ±20ppm |
| 5 | 温度频差 Temperature Frequency Stability vs Temp | ±20ppm |
| 6 | 工作温度 Operating Temperature Range | -20~+70°C |
| 7 | 贮存温度 Storage Temperature Range | -45~+80°C |
| 8 | 负载电容 Load Capacitance | 18pF |
| 9 | 静电容 Shunt capacitance | <5PF (Max) |
| 10 | 等效电阻 Equivalent Series Resistance | ≤35 Ω (Max) |
| 11 | 激励功率 Drive Level | 100 u W |
| 12 | 绝缘阻抗 Insulation Resistance | 500M Ω at DC100V |
| 13 | 年老化率 Aging Rate a Year | ±5PPM |

尺寸构造Dimensions&Structure

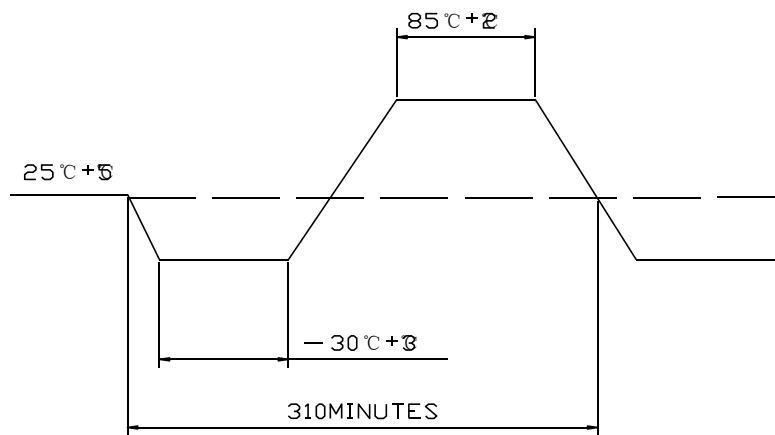


机械及环境性能Environmental&Physical Characteristics

| | Item | Condition | Standard |
|-----|--|---|---|
| 1. | Drop characteristics 跌落性 | Free drop from 75cm height on a hard wooden board for 3 times. (Board is thickness more than 30 mm.) | Frequency change: ≤5ppm Rr as specification |
| 2.. | Shake characteristics 振动性 | Shake frequency 10~55Hz, cycl~2 minutes, swing 1.5mm, direction x/y/z, all 30 minutes, test after 1 hours. | Frequency change: ≤5ppm Rr as specification |
| 3. | Airproof characteristics 密封性 | Put crystal into the pressure cabin with alcohol, keep pressure 0.4~0.5mpa 10 minutes, then take out and blow for 5 minutes | IR≥500MΩ |
| 4. | Weld characteristics 可焊性 | 260±5℃, 3 seconds | 90% exhibit tin ok |
| 5. | Bend characteristics 弯曲性 | 5N, 90° , 3 times, test machine | no damage |
| 6. | Humidity characteristics 恒温性 | +40±2℃ & 90%~95% R.H. 250 hours | Frequency change: ≤5ppm Rr as specification |
| 7. | Low temperature characteristics 低温性 | -30±2℃, 250 hours, put in room temperature, test after 1 hours. | Frequency change: ≤5ppm Rr as specification |
| 8. | High temperature characteristics 高温性 | +85±2℃, 250 hours, put in room temperature, test after 1 hours. | Frequency change: ≤5ppm Rr as specification |

温度循环 Temperature cycling

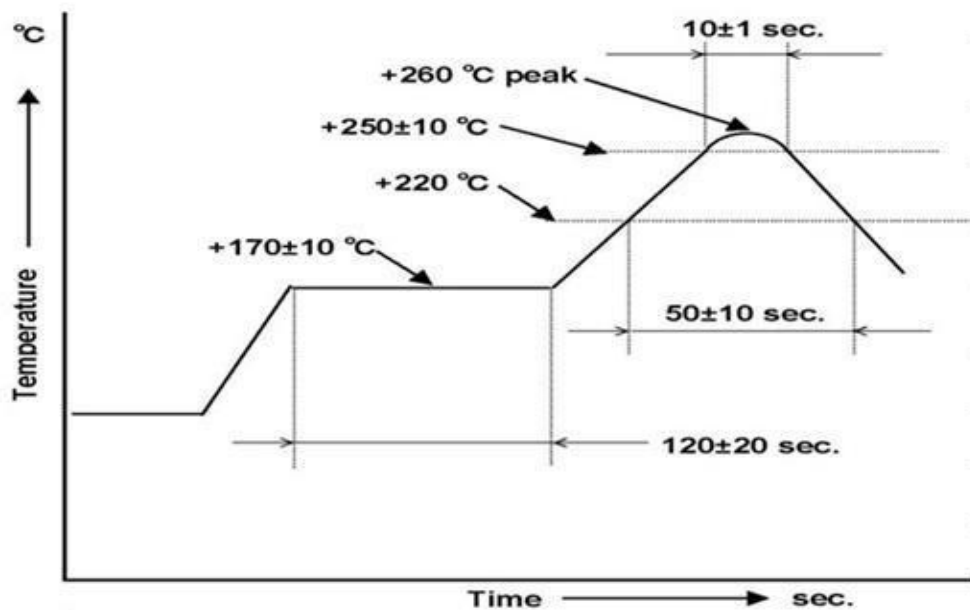
Condition:



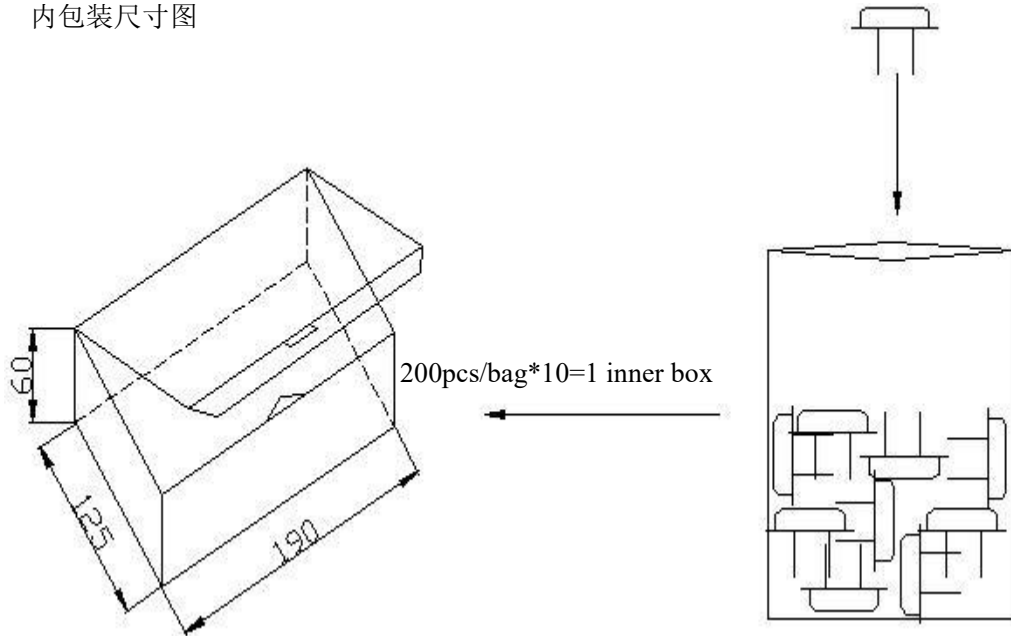
AFTER TEMPERATURE CYCLING

回流焊测试 Refluence examination

Condition:



Dimension of Inside Package
内包装尺寸图



Dimensions of outside Package
外包装尺寸图

