

产品规格书

SPECIFICATION

产品名称 <u>Description</u>	石英晶体振荡器 <u>Quartz Crystal Oscillator</u>
型号 · 标称频率 <u>Type · Nominal Frequency</u>	OSC7050 25.000MHz
规格书号 <u>Specification .</u>	JFWSA25033VA504C

制作

DESIGNED BY 杨 阳

审核

CHECKED BY 何 珍

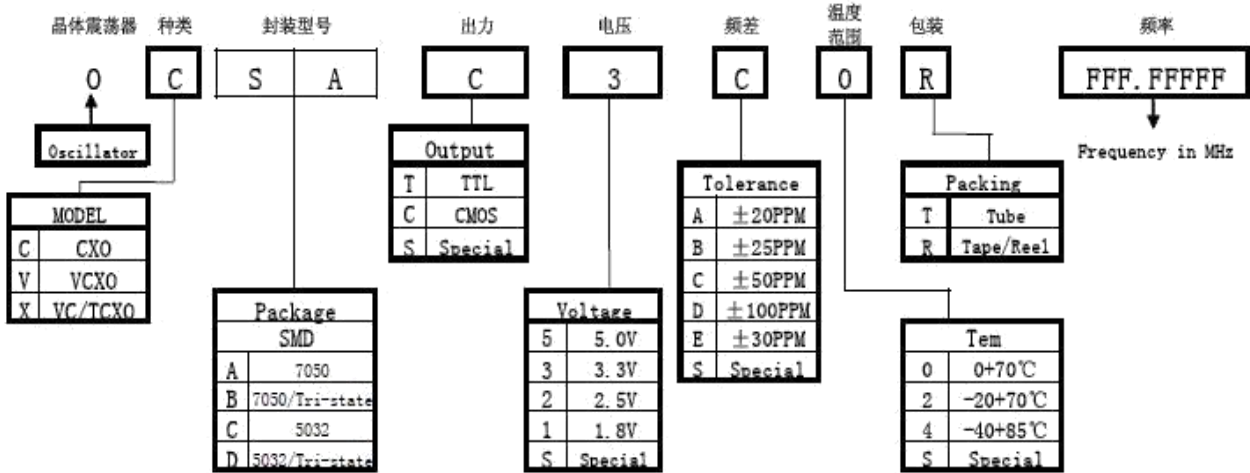
批准

APPROBED BY 肖 琳

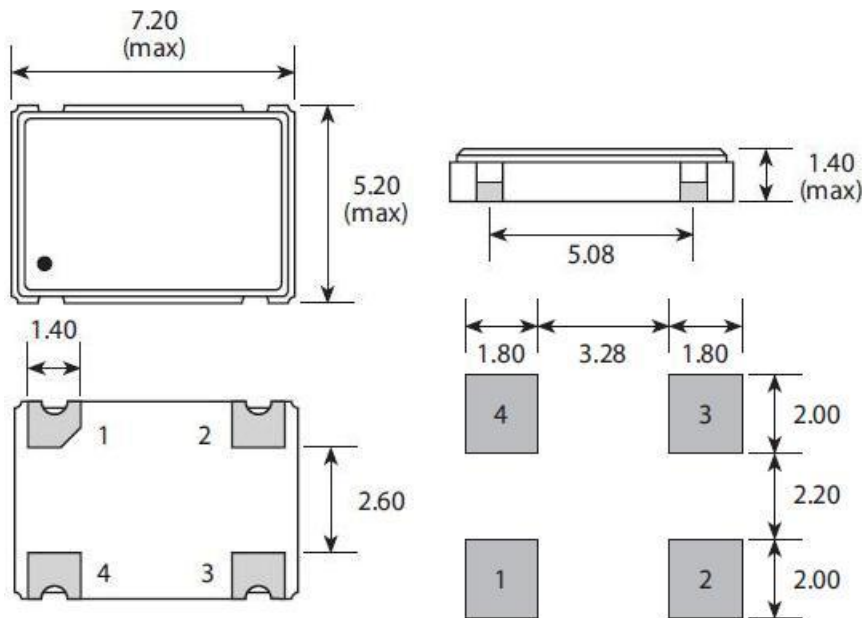
■ **Electrical Specifications**

1.Model No	7050 OSC
2.Nominal Frequency	25.000MHz
3.Mode of Oscillation	Fundamental
4.Operating Temperature Range	-40℃ to85℃
5.Storage Temperature Range	-55℃ to +125℃
6.Frequency Stability	±50ppm
7.Power Supply Voltage	3.3V±10%
8.Input Current	10mA Max. : 1.500- 32.000MHz 15mA Max. : 32.001- 50.000MHz 25mA Max. : 50.000- 70.000MHz 60mA Max. : 70.001- 125.00MHz
9.Output Voltage	Logic High(Voh) 90%Vdd Min Logic Low(Vol) 10%Vdd Max
10.Output Load	15pF max CMOS Load
11.Semmetry (at 50%VDD)	40-60%Normal
12.Rise & Fall Time	8ns Max.
13.E/D or N/C.	Tri-state
14.Output Disable Time	100nsec
15.Output Enable Time(start-up time)	10msec max
16.Aging	±3ppm/year
17.Unit Weight	

■ Part Number Configuration

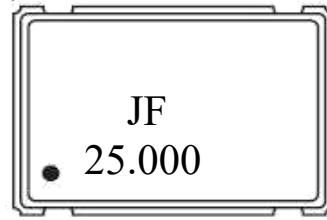


■ Dimensions



Pad	1	2	3	4
Connection	N.C.(INH)	GND	OUTPUT	VDD

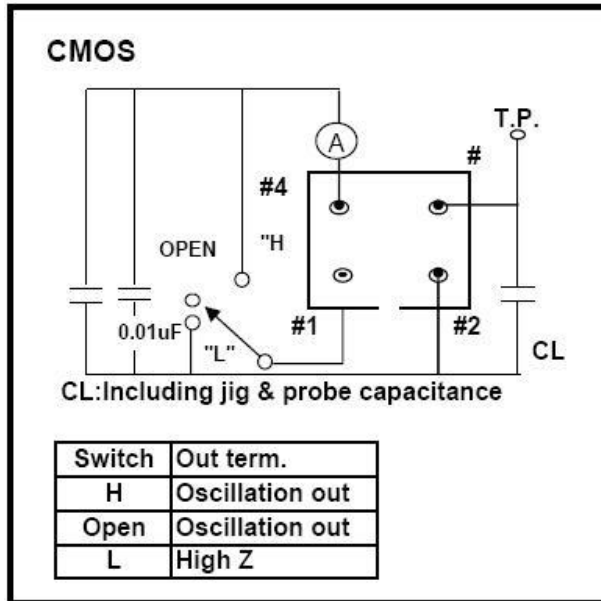
■ Marking



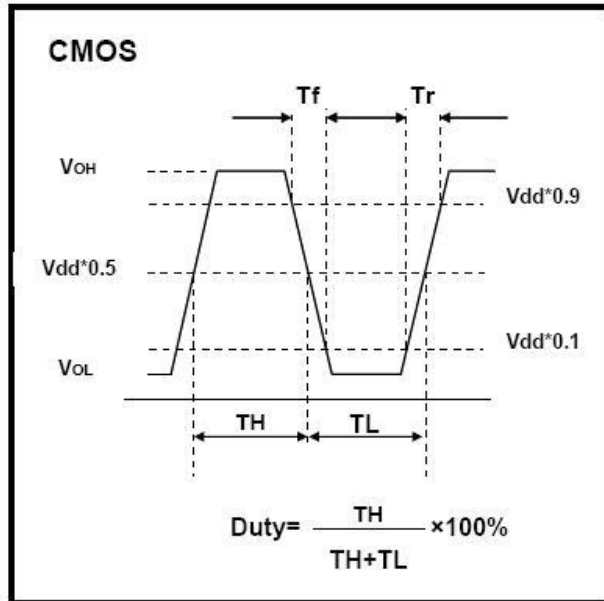
Line 1: 频率 →

Line 2: ● → Pin#1 indication

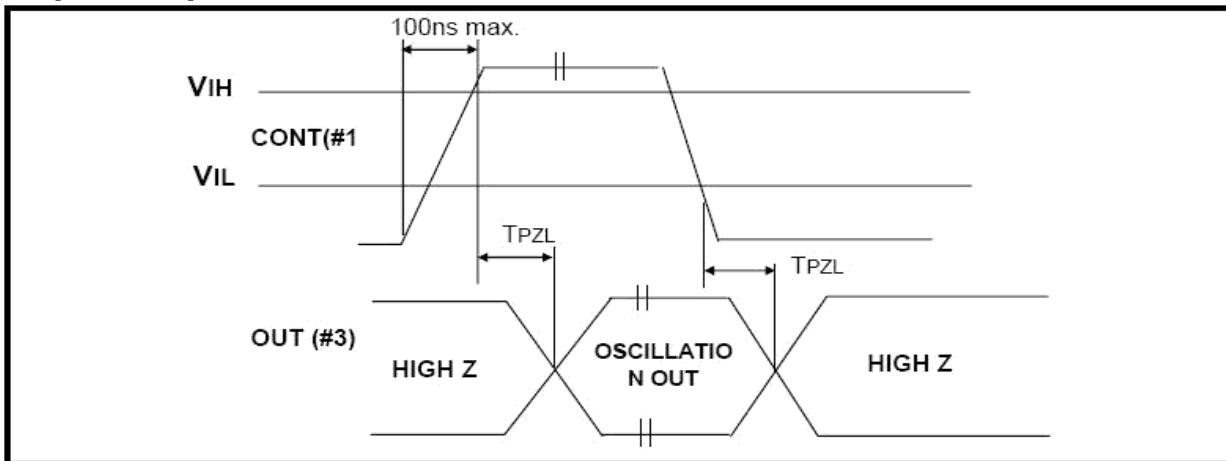
■ Measurement Circuit



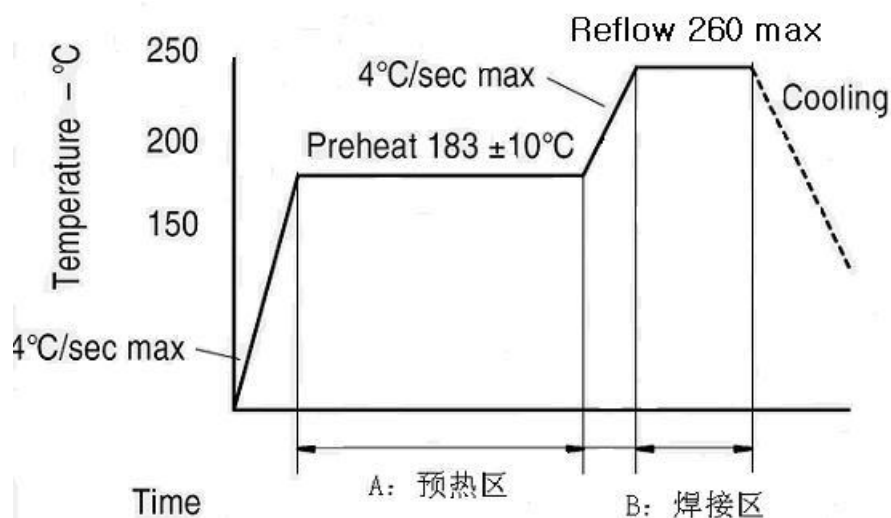
Output Wave Form



■ **Input Output Condition**



■ **Reflow Profile**



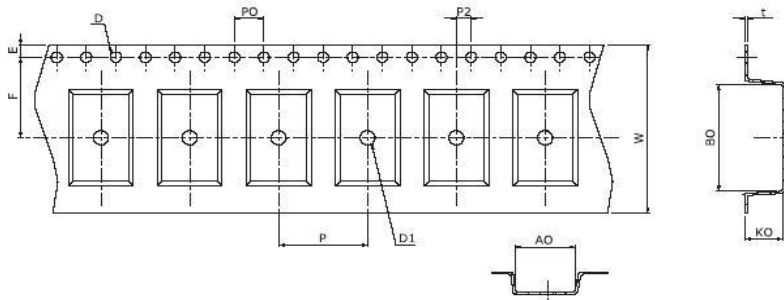
■ **Reliability Specifications**

No	Test Item	Test Methods
1	DROP TEST	Device are dropped from a height of 75 cm onto 3 mm thickness stainless plate executing 3 times of random drops.
2	MECHANICAL SHOCK	Device are shocked to half sine wave (1000 G) three mutually perpendicular axes each 3 times.
3	High Temp and Humidity Test	85°C/RH 85%, 500Hrs



4	High temp storage test	125°C+/-2°C 500Hrs
5	Low temp storage test	-40°C 500Hrs
6	Thermal shock test	-40°C~+85°C DWEL 60' 100cycles
7	Aging test	85°C 1000Hrs
8	Resistance to solder heat	260°C 10S
9	VIBRATION	Frequency range 10-2000 Hz Amplitude Sweep 1.5 mm Sweep Time 20 minute Test Time 2 hours
10	SOLDERABILITY	MIL - STD - 20E Method 208C Temperature 245°C±5°C Material H63A (Silver 2-3 %) Immersion depth 0.5 mm minimum Immersion time 3 ± 0.5 seconds Flux Rosin resin methyl

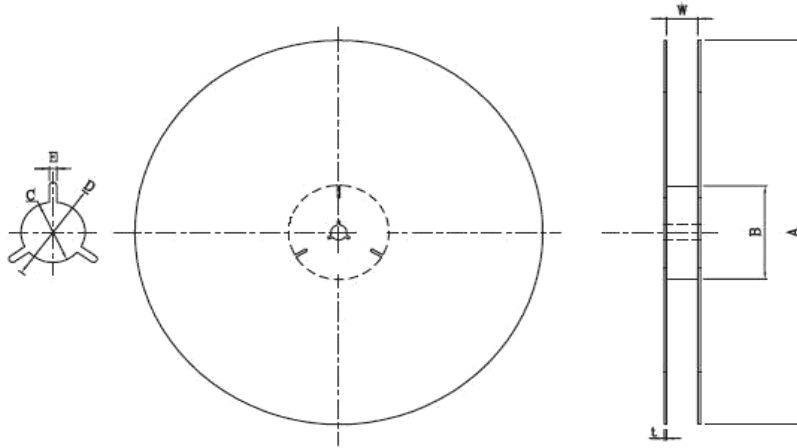
■ Packing



A0:5.40±0.1	B0:7.40±0.3	W:16.2±0.3	E1:1.75±0.1
P0: 4.0±0.1	P : 8.0±0.1	P2: 2.0±0.1	D: phi 1.50±0.1
F: 7.50±0.1	K0:1.90±0.1		



■ Reel Dimension



A: $\phi 180 \pm 1.0$

B: $\phi 60 \pm 1.0$

C: $\phi 13.0 \pm 0.5$

D: $\phi 12.0 \pm 1.0$

E: 1.9 ± 0.5

W: 25.5 ± 1.0

NOTE: 1. packgeing q'ty 1000PCS /REEL