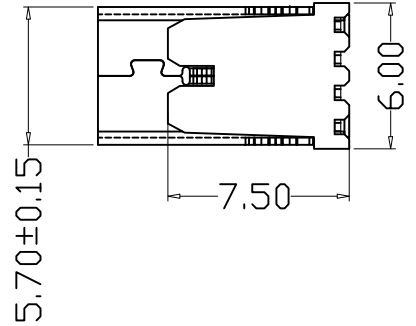
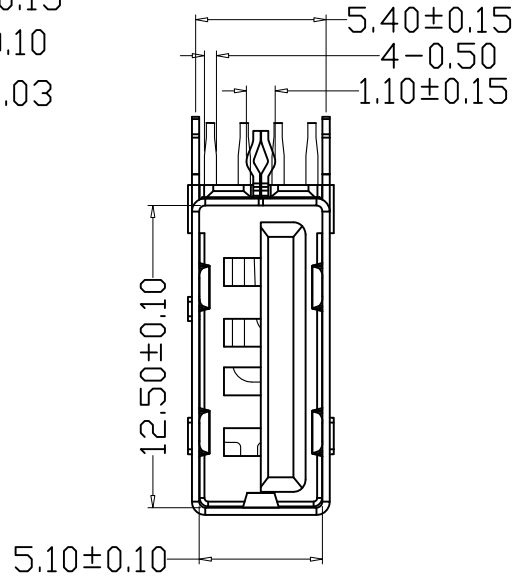
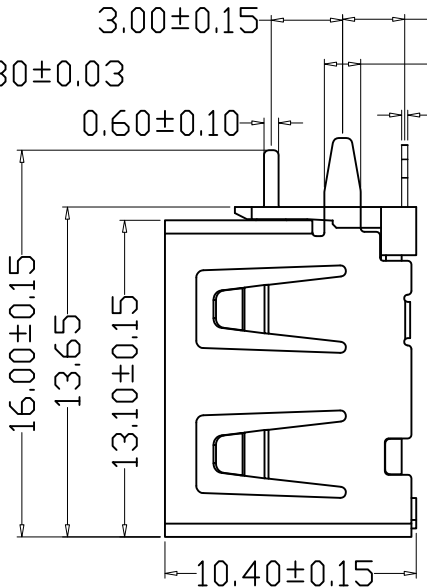
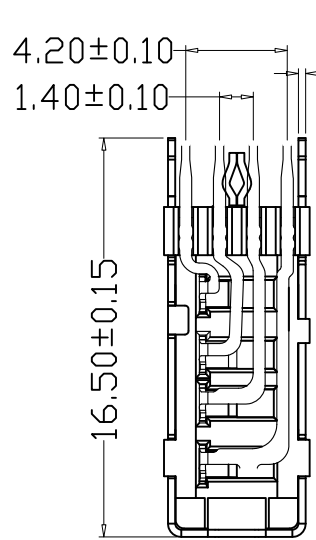
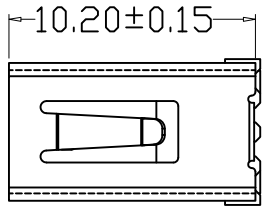
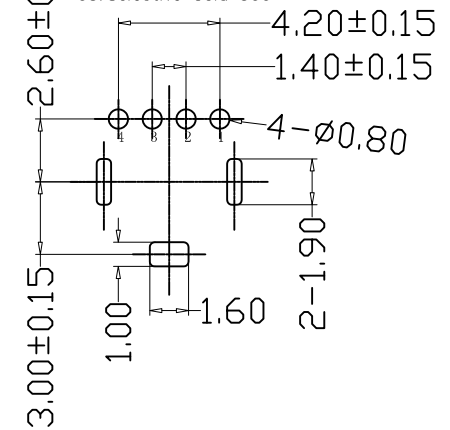


MAPX	MODIFICATION	DATE



NOTE:

- Material:
  - Housing: Thermoplastics
  - Contact: Phosphor Bronze C5191-EH/C2680-EH, T=0.25mm
  - Shell: COPPER ALLOY T=0.30mm
- FINISH:
  - Contact: 15u" Gold Plated on Contact Area, 80u" Min.Tin Plated on Solder Area, 50u" Min.Nickel Underplating Over All.
  - Shell: 50u" Min.Nickel Underplating Over All.
- Specification:
  - 3.1: Rating:
    - Rated voltage 500V AC/DC. Rated current: 2 A Max.
  - 3.2: Electrical:
    - Insulation Resistance(EIA-364-21): 1000MΩ Min. at 500V/DC for 1Minute.
    - Contact Resistance(EIA-364-23): 30 mΩ Max. at 20mV Max, 50mA
    - Dielectric Withstanding Voltage(EIA-364-20): No discharge, flashover or breakdown at 500V/AC 1Minute
- Plug extraction force shall be between 1.0kgf and 2.00kgf
- Contact finish:
  - 01: Selective Gold Flash
  - 02: Selective Gold 3U"
  - 03: Selective Gold 5U"
  - 04: Selective Gold 15U"
  - 05: Selective Gold 30U"



RECOMMENDED PCB LAYOUT  
GENERAL TOLERANCES: ±0.05

产品图 PRODUCT CHART DWG		深圳市精拓金电子有限公司							
公差一览表 TOLERANCE UNLESS OTHERWISE		单位	MM	制图	Z-Y-B	制图料号	906-561A1024D10200		
X.	±0.25	X.	±5.°	比例	1:1	审核	产品名称	AF10.0侧插短体外直内O型脚无边铁壳PBT黑胶	
.X	±0.20	.X	±2.°	SCALE		核准	PRODUCT NO.		
.XX	±0.15	.XX	±1.°	日期	2014.02.20	角法	版本	AO	
.XXX	±0.10	.XXX	±0.5°	DATE		APPD	VER		